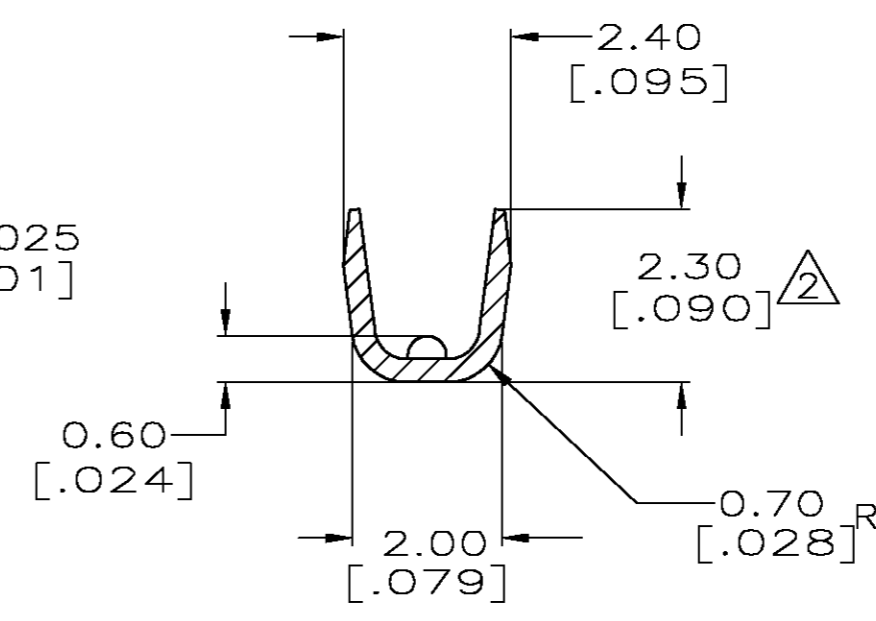
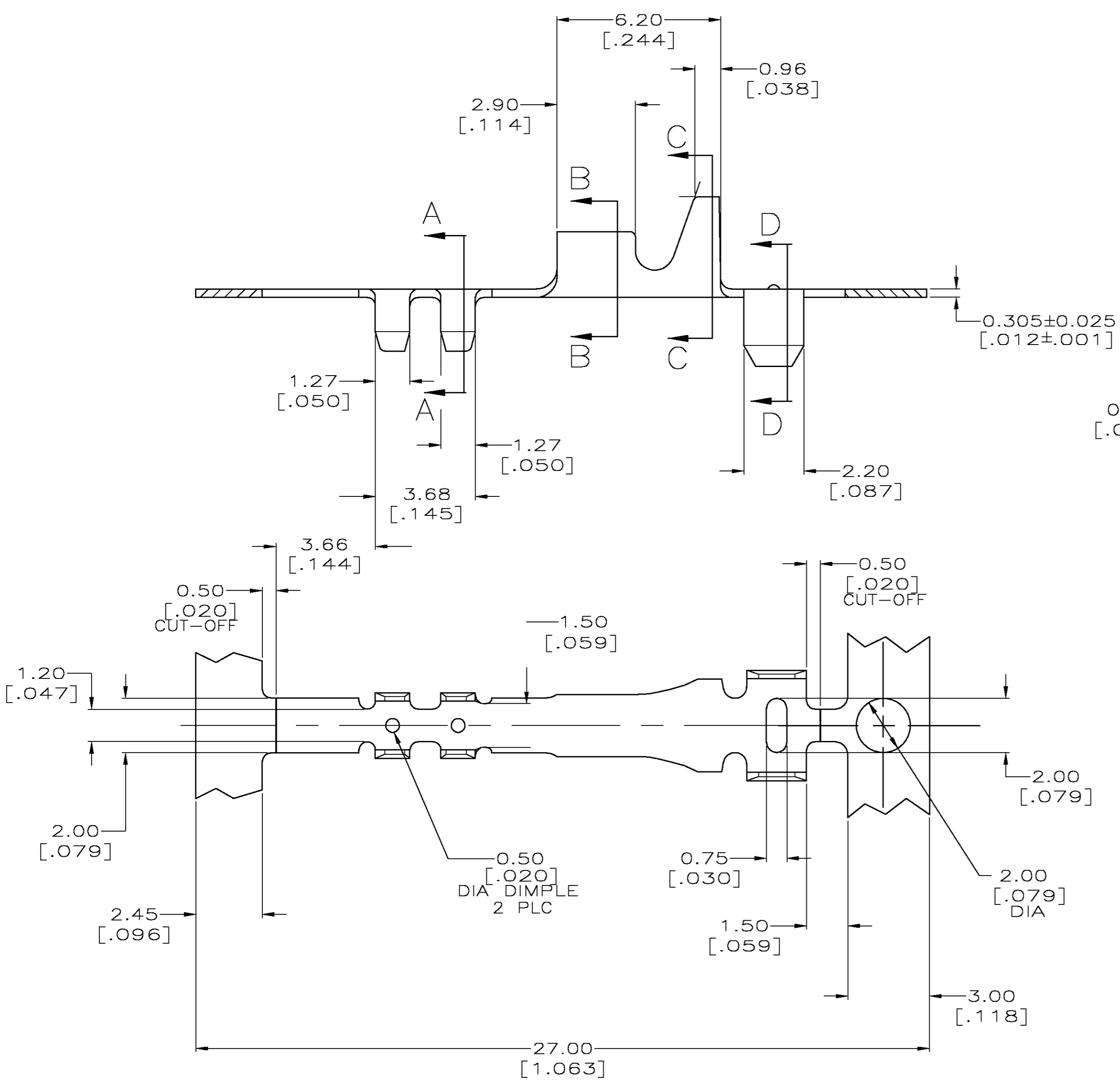


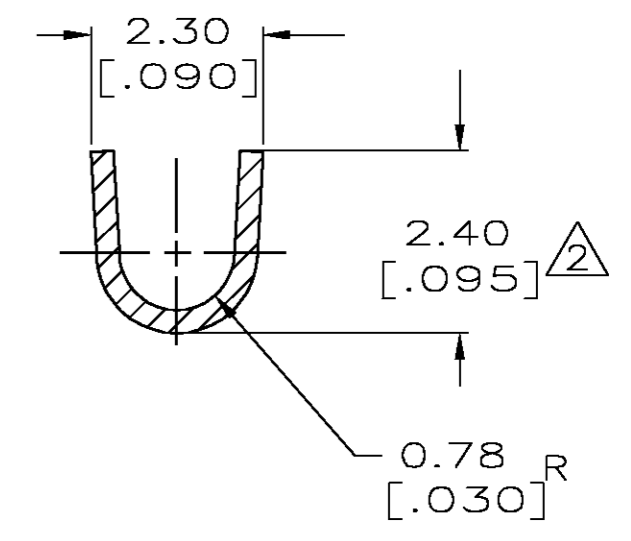
THIS DRAWING IS UNPUBLISHED. RELEASED FOR PUBLICATION
 © COPYRIGHT BY TYCO ELECTRONICS CORPORATION. ALL RIGHTS RESERVED.

LOC		DIST		REVISIONS			
P	LTR	DESCRIPTION		DATE	DWN	APVD	
AF	50	D	REV PER 0G3A-0246-03	19JUN03	JR	GY	

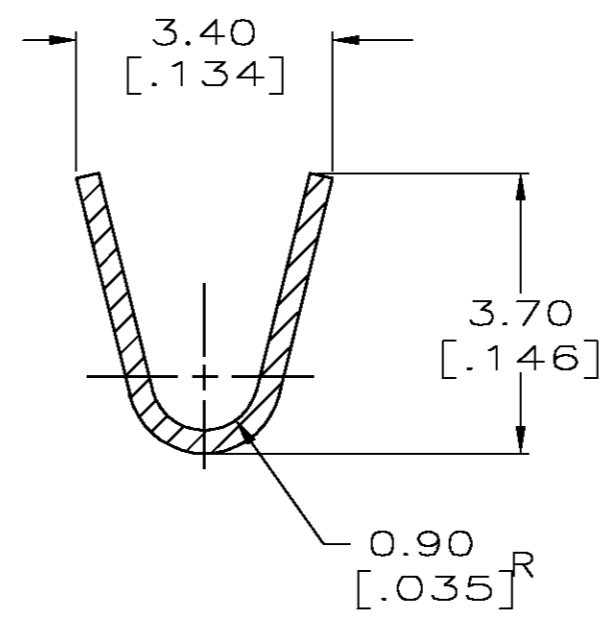
- 1 CONTINUOUS STRIP ON REEL.
- 2 SIGNIFICANT DIMENSION.
- 3 0.00254 [.000100] MIN THK TIN OVER 0.00127 [.000050] MIN THICK NICKEL UNDERPLATE.



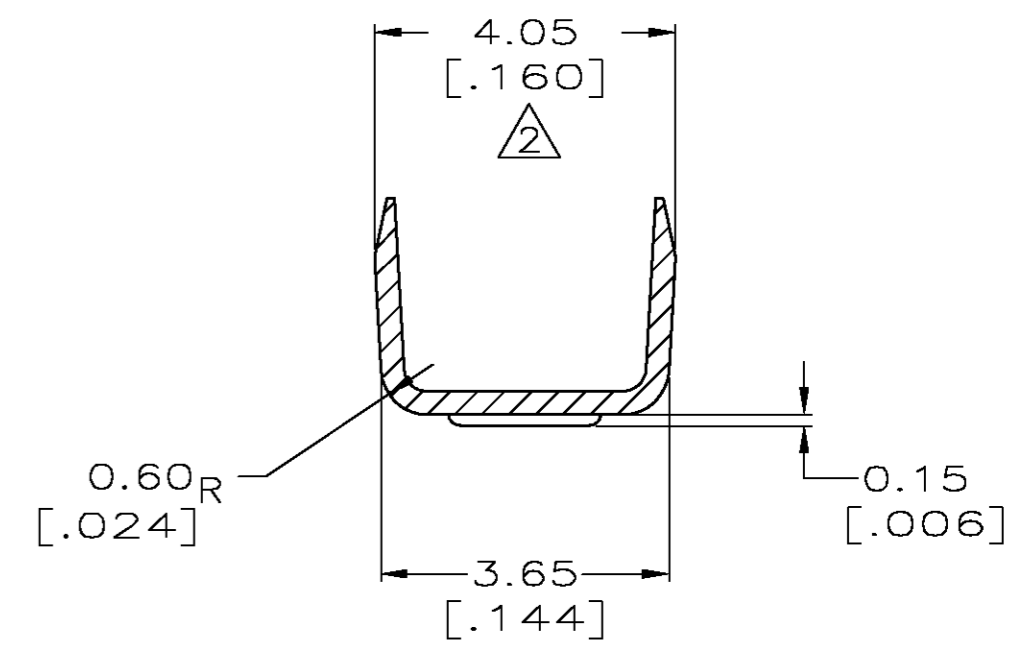
SECTION A-A
 SCALE 10:1
 ROTATED 180°
 2 PLC



SECTION B-B
 SCALE 10:1



SECTION C-C
 SCALE 10:1



SECTION D-D
 SCALE 10:1
 ROTATED 180°

1217028-1
 PART NUMBER

THIS DRAWING IS A CONTROLLED DOCUMENT.		DWN PHILLIP M FORTNEY 29/OCT/97	Tyco Electronics Corporation Harrisburg, PA 17105	
DIMENSIONS: MM		CHK JEFF R RUTH 29/OCT/97	NAME TERMINAL, SPECIAL	
TOLERANCES UNLESS OTHERWISE SPECIFIED: 0 PLC ± - 1 PLC ± - 2 PLC ± 0.10 [.004] 3 PLC ± - 4 PLC ± - ANGLES ± - FINISH		APVD GARY YETTER 29/OCT/97	PRODUCT SPEC APPLICATION SPEC	
MATERIAL 082 BRASS	FINISH - 3	WEIGHT -	SIZE A2	CAGE CODE 00779
CUSTOMER DRAWING		DRAWING NO C=1217028	RESTRICTED TO -	SCALE 8:1
		SHEET 1 OF 1	REV D	