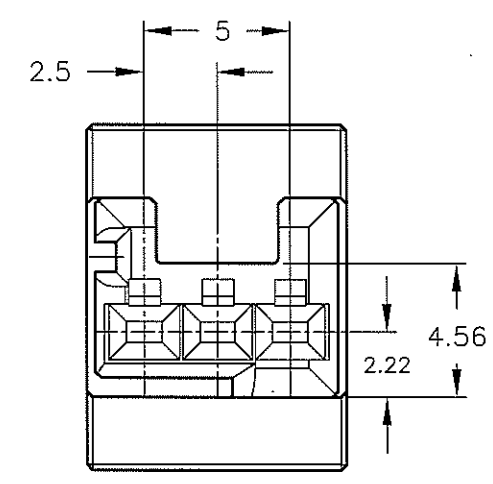
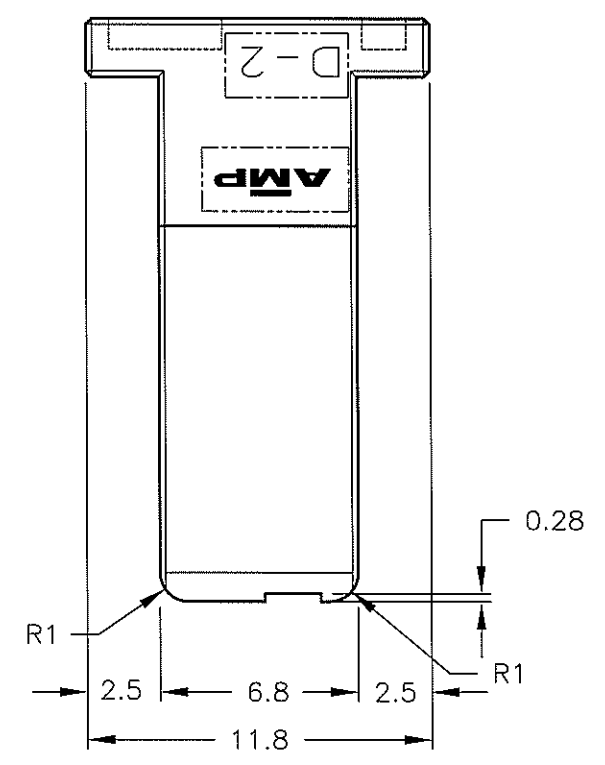
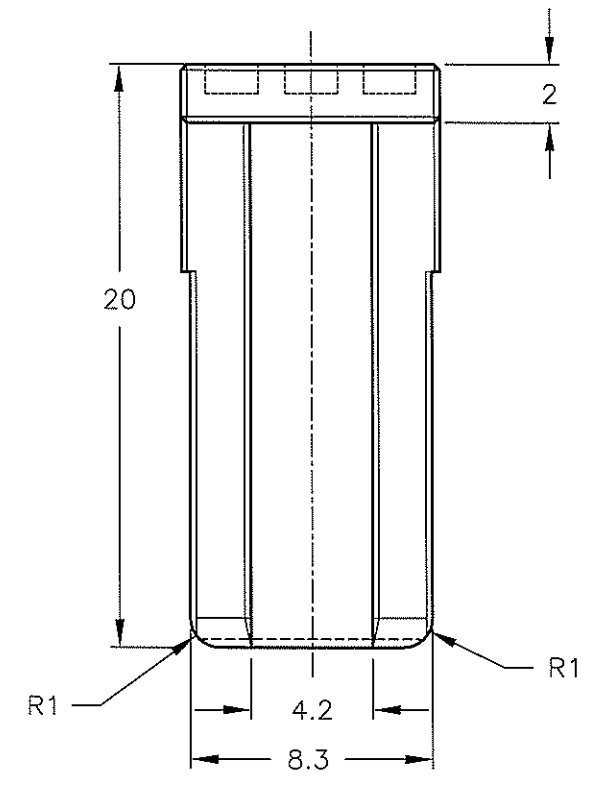
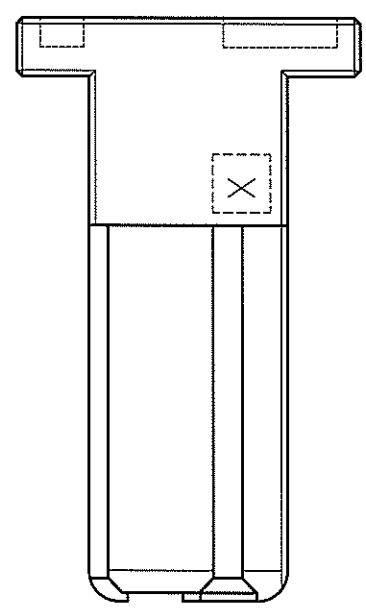
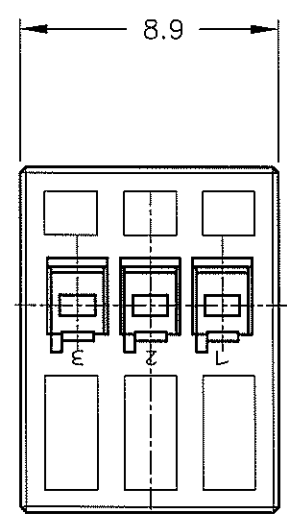


THIS DRAWING IS UNPUBLISHED. RELEASED FOR PUBLICATION .2000.12.01
 (C) COPYRIGHT 2000 BY AMP INCORPORATED. ALL RIGHTS RESERVED.

| LOC | | DIST | | REVISIONS | | | | |
|-----|-----|-------------|---------------|-----------|-----|------|--|--|
| P | LTR | DESCRIPTION | ECN | DATE | DWN | APVD | | |
| | 0 | RELEASED | FJ00-1876-00 | 1.DEC'00 | T.S | S.M | | |
| | 01 | REVISED | ECR-06-023517 | 5/OCT '06 | T.S | D.M | | |

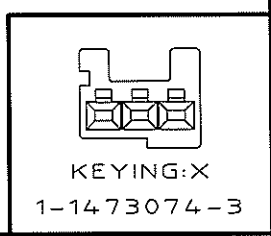
D
C
B
A



A1 REVISED

注記
 ⚠ 材料:ハウジング:ガラス入り熱可塑性ポリエステル樹脂(94V-0),色:黒

NOTES
 ⚠ MATERIAL:HOUSING:GLASS FILED THERMO PLASTIC ,POLYESTER(94V-0),COLOR:BLACK



| | | |
|--------|-----|-------------|
| | | |
| | | |
| - | 3 | 1-1473074-3 |
| FINISH | POS | PART NUMBER |

| | | | | | | | | | |
|---|--|--|--|--|--|-------------------------------|--|--|--|
| THIS DRAWING IS A CONTROLLED DOCUMENT FOR AMP INCORPORATED. IT IS SUBJECT TO CHANGE AND THE CONTROLLING ENGINEERING ORGANIZATION SHOULD BE CONTACTED FOR THE LATEST REVISION. | | OWN T.SAKAMOTO CHK 1.DEC '00 APVD S.MANABE | | 26/OCT/00 | | | | Tyco Electronics AMP K.K. Kawasaki, Japan | |
| DIMENSIONS: 単位 特 mm | | TOLERANCES UNLESS OTHERWISE SPECIFIED | | NAME 氏名 | | 1列 リセハウジング | | RESTRICTED TO | |
| | | 一般公差 12 : ±0.3 30 > 10 : ±0.35 100 > 30 : ±0.4 ANGLE : ±3' | | PRODUCT SPEC 製品規格 108-5619 | | REC HSG (W/O LOCK) | | - | |
| MATERIAL 材料 | | FINISH 仕上 | | APPLICATION SPEC 取付適用規格 114-5258 | | DRAWING NO 番号 C=1473074 | | - | |
| ⚠ | | | | WEIGHT | | SIZE CAGE CODE DRAWING NO | | - | |
| | | | | CUSTOMER DRAWING | | A3 00779 | | SCALE 尺 4-1 | |
| | | | | | | SHEET 1 OF 1 | | REV 01 | |