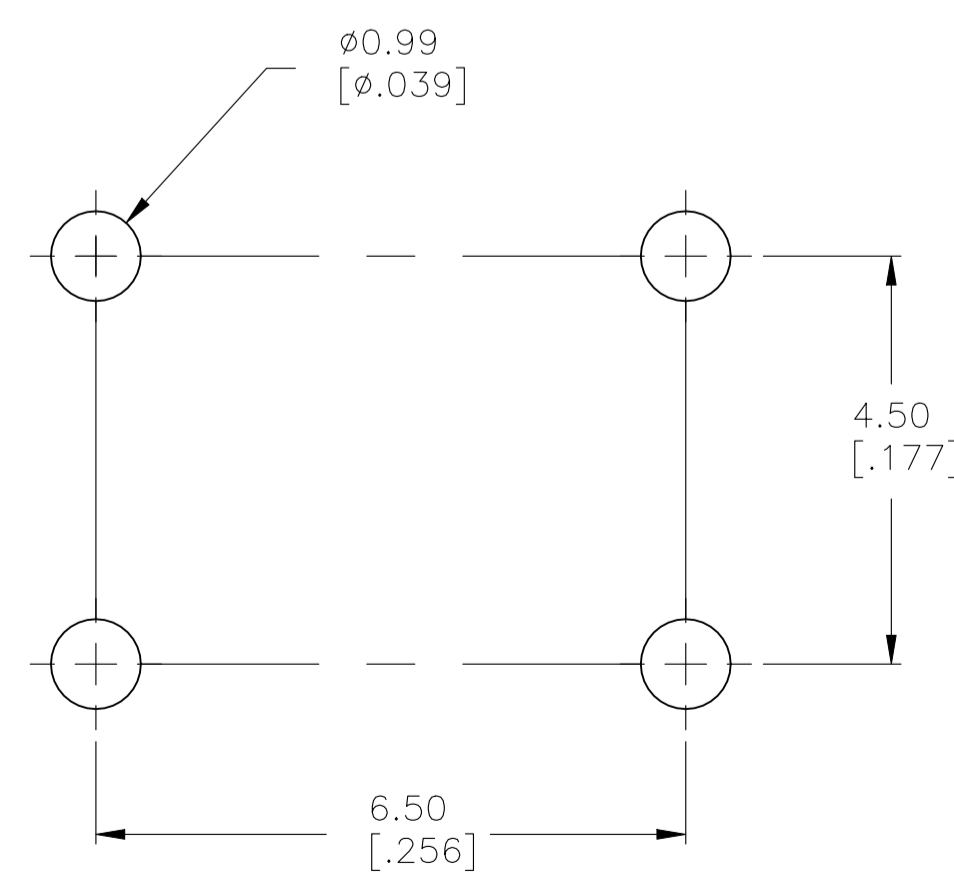
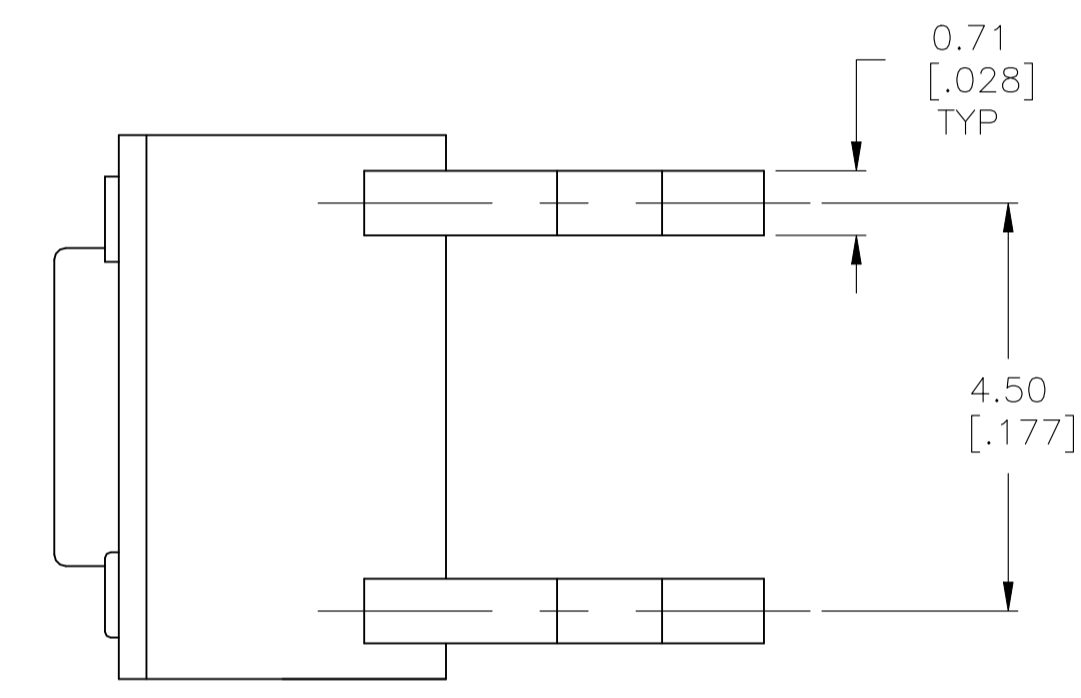


VIEW A-A
FSM6J THRU FSM18J



RECOMMENDED HOLE LAYOUT
TOLERANCE ±0.05[.002] UNLESS OTHERWISE NOTED

CIRCUIT CHARACTERISTICS		
CONTACT POSITION	CIRCUIT DIAGRAM	
OFF		1, 2, 3, 4
(ON) 1-3 2-4		

SPECIFICATIONS:

MATERIALS:
CASE: PA66 UL94HB
ACTUATOR: PA66 UL94HB, SEE P/N TABLE
COVER: PET.
MOVING CONTACT: STAINLESS STEELAg clad
FIXED CONTACT/TERMINAL: BRASS Ag Plating

ELECTRICAL:

MAX CONTACT RATING: 50 MILLIAMPS@24V DC (FSM14JHS/FSM16JLHS: 50 MILLIAMPS@12V DC).
MIN CONTACT RATING: 10 MICROAMPS@1V DC (FSM14JHS/FSM16JLHS: 10 MILLIAMPS@5V DC).
INITIAL CONTACT RESISTANCE: 100 MILLIOHM MAX. (FSM14JHS/FSM16JLHS: 50 MILLIOHM MAX.)
INSULATION RESISTANCE: 100 MEGAOHM MIN. @100V DC.
DIELECTRIC STRENGTH: 500V AC FOR 1 MINUTE (FSM14JHS/FSM16JLHS:250V AC).
LIFE EXPECTANCY: 100,000 CYCLES MIN. (2CYCLES PER SECOND THE 150% ACTUATION FORCE).
EXCEPT FOR THE 520GF MODEL WHICH WOULD BE 50,000 CYCLES MIN.

MECHANICAL:

ACTUATION FORCE: SEE TABLE
ACTUATION TRAVEL: 0.010^{+0.008}/_{0.004} (FSM14JHS/FSM16JLHS:0.25±0.1mm)

ENVIRONMENTAL:

OPERATING TEMPERATURE: -40°C TO +105°C (FSM14JHS/FSM16JLHS: -20 TO +70°C)
STORAGE TEMPERATURE: -40°C TO +105°C (FSM14JHS/FSM16JLHS: -30 TO +80°C)
THERMAL SHOCK: PER EIA-364-32C,-35 TO +85°C (FSM14JHS/FSM16JLHS: -10 TO +65°C)
RESISTANCE TO SOLDER HEAT: PER 109-202, CONDITION B (FSM14JHS/FSM16JLHS: 260°C,10 sec max)
SOLDERABILITY: PER EIA-364-52, CLASS2, CATEGORY 1,CATEGORY 2, 95% MINIMUM COVERAGE
(SOLDERABILITY ONLY FOR FSM14JHS/FSM16JLHS):
automatic:- Preheat: 150°C-175°C, 40-80sec
Peak temp:260°C max,
Soldering area temp: 260c,1-4sec, 2 times max
Manual-Soldering temp: less than 350°c, within 3 sec

NOTES:

- ALL MATERIALS AND FINISHES SHALL COMPLY WITH EU DIRECTIVE 2002/95/EC OF 27JAN2003 (ROHS)
- A REINFORCE COLLAR IS RECOMENDED FOR APPLICATIONS WITH INCREASED AXIAL LOAD. PLEASE REFERENCE FIGURE

ACTUATOR MAT'L	ACTUATOR COLOR	ACTUATION FORCE	DIM C	DIM B	DIM A	ALCO P/N	P/N	
PA66	BLACK	160 +/-50 GF	See page #2	13.5 (0.531)	6 (0.236)	FSM16JLHS	4-1825910-2	
PA66	BLACK	160 +/-50 GF	See page #2	9.5 (0.374)	2 (0.079)	FSM14JHS	4-1825910-1	
NYLON 6/6	BROWN	100 +/-50 GF	3.30 (.130)	7.00 (.276)	3.40 (.134)	FSM6JLHTB	3-1825910-9	
OBSOLETE	PBT	BROWN	N/A	5.00 (.196)	1.40 (.055)	FSM4JLHTB	3-1825910-8	
OBSOLETE	NYLON 6/6	YELLOW	520 +/-100 GF	3.09 (.122)	8.50 (.335)	4.90 (.193)	FSM18JAAH	3-1825910-7
OBSOLETE	NYLON 6/6	RED	260 +/-50 GF	3.09 (.122)	8.50 (.335)	4.90 (.193)	FSM18JAH	3-1825910-6
OBSOLETE	NYLON 6/6	BLACK	160 +/-50 GF	3.09 (.122)	8.50 (.335)	4.90 (.193)	FSM18JH	3-1825910-5
OBSOLETE	NYLON 6/6	BROWN	100 +/-50 GF	3.09 (.122)	8.50 (.335)	4.90 (.193)	FSM18JLH	3-1825910-4
NYLON 6/6	YELLOW	520 +/-100 GF	2.80 (.110)	17.00 (.669)	13.40 (.527)	FSM16JAAH	3-1825910-3	
NYLON 6/6	RED	260 +/-50 GF	2.80 (.110)	17.00 (.669)	13.40 (.527)	FSM16JAH	3-1825910-2	
NYLON 6/6	BLACK	160 +/-50 GF	2.80 (.110)	17.00 (.669)	13.40 (.527)	FSM16JH	3-1825910-1	
OBSOLETE	NYLON 6/6	BROWN	100 +/-50 GF	2.80 (.110)	17.00 (.669)	13.40 (.527)	FSM16JLH	3-1825910-0
NYLON 6/6	YELLOW	520 +/-100 GF	2.87 (.113)	13.00 (.512)	9.40 (.370)	FSM14JAAH	2-1825910-9	
NYLON 6/6	RED	260 +/-50 GF	2.87 (.113)	13.00 (.512)	9.40 (.370)	FSM14JAH	2-1825910-8	
NYLON 6/6	BLACK	160 +/-50 GF	2.87 (.113)	13.00 (.512)	9.40 (.370)	FSM14JH	2-1825910-7	
NYLON 6/6	BROWN	100 +/-50 GF	2.87 (.113)	13.00 (.512)	9.40 (.370)	FSM14JLH	2-1825910-6	
OBSOLETE	NYLON 6/6	YELLOW	520 +/-100 GF	3.20 (.126)	8.00 (.315)	4.40 (.173)	FSM12JAAH	2-1825910-5
OBSOLETE	NYLON 6/6	BLACK	260 +/-50 GF	3.20 (.126)	8.00 (.315)	4.40 (.173)	FSM12JABH	2-1825910-4
OBSOLETE	NYLON 6/6	RED	260 +/-50 GF	3.20 (.126)	8.00 (.315)	4.40 (.173)	FSM12JAH	2-1825910-3
NYLON 6/6	WHITE	160 +/-50 GF	3.20 (.126)	8.00 (.315)	4.40 (.173)	FSM12JH	2-1825910-2	
OBSOLETE	NYLON 6/6	BROWN	100 +/-50 GF	3.20 (.126)	8.00 (.315)	4.40 (.173)	FSM12JLH	2-1825910-1
OBSOLETE	NYLON 6/6	YELLOW	520 +/-100 GF	3.25 (.128)	7.30 (.287)	3.70 (.146)	FSM10JAAH	2-1825910-0
NYLON 6/6	RED	260 +/-50 GF	3.25 (.128)	7.30 (.287)	3.70 (.146)	FSM10JAH	1-1825910-9	
NYLON 6/6	IVORY	160 +/-50 GF	3.25 (.128)	7.30 (.287)	3.70 (.146)	FSM10JH	1-1825910-8	
OBSOLETE	NYLON 6/6	BROWN	100 +/-50 GF	3.25 (.128)	7.30 (.287)	3.70 (.146)	FSM10JLH	1-1825910-7
OBSOLETE	PBT	YELLOW	520 +/-100 GF	3.10 (.122)	9.50 (.374)	5.90 (.232)	FSM8JAAH	1-1825910-6
PBT	RED	260 +/-50 GF	3.10 (.122)	9.50 (.374)	5.90 (.232)	FSM8JAH	1-1825910-5	
PBT	BLACK	160 +/-50 GF	3.10 (.122)	9.50 (.374)	5.90 (.232)	FSM8JH	1-1825910-4	
PBT	BROWN	100 +/-50 GF	3.10 (.122)	9.50 (.374)	5.90 (.232)	FSM8JLH	1-1825910-3	
NYLON 6/6	YELLOW	520 +/-100 GF	3.30 (.130)	7.00 (.276)	3.40 (.134)	FSM6JAAH	1-1825910-2	
NYLON 6/6	RED	260 +/-50 GF	3.30 (.130)	7.00 (.276)	3.40 (.134)	FSM6JAH	1-1825910-1	
NYLON 6/6	BLUE	160 +/-50 GF	3.30 (.130)	7.00 (.276)	3.40 (.134)	FSM6JH	1-1825910-0	
NYLON 6/6	BROWN	100 +/-50 GF	3.30 (.130)	7.00 (.276)	3.40 (.134)	FSM6JLH	1825910-9	
PBT	YELLOW	520 +/-100 GF	N/A	5.00 (.196)	1.40 (.055)	FSM4JAAH	1825910-8	
PBT	RED	260 +/-50 GF	N/A	5.00 (.196)	1.40 (.055)	FSM4JAH	1825910-7	
PBT	BLACK	160 +/-50 GF	N/A	5.00 (.196)	1.40 (.055)	FSM4JH	1825910-6	
OBSOLETE	PBT	BROWN	100 +/-50 GF	N/A	5.00 (.196)	1.40 (.055)	FSM4JLH	1825910-5
OBSOLETE	PBT	YELLOW	520 +/-100 GF	N/A	4.30 (.169)	0.70 (.028)	FSM2JAAH	1825910-4
PBT	RED	260 +/-50 GF	N/A	4.30 (.169)	0.70 (.028)	FSM2JAH	1825910-3	
PBT	NATURAL	160 +/-50 GF	N/A	4.30 (.169)	0.70 (.028)	FSM2JH	1825910-2	
PBT	BROWN	100 +/-50 GF	N/A	4.30 (.169)	0.70 (.028)	FSM2JLH	1825910-1	

THIS DRAWING IS A CONTROLLED DOCUMENT.

DIMENSIONS: mm [INCHES]	TOLERANCES UNLESS OTHERWISE SPECIFIED:	0 PLC ± -	1 PLC ± -	2 PLC ± 0.30 [012]	3 PLC ± -	4 PLC ± -	ANGLES ± -
-------------------------	--	-----------	-----------	--------------------	-----------	-----------	------------

MATERIAL: SEE SPECIFICATIONS FINISH: -

APPROVED: M. SARVER 07NOV06

TE Connectivity

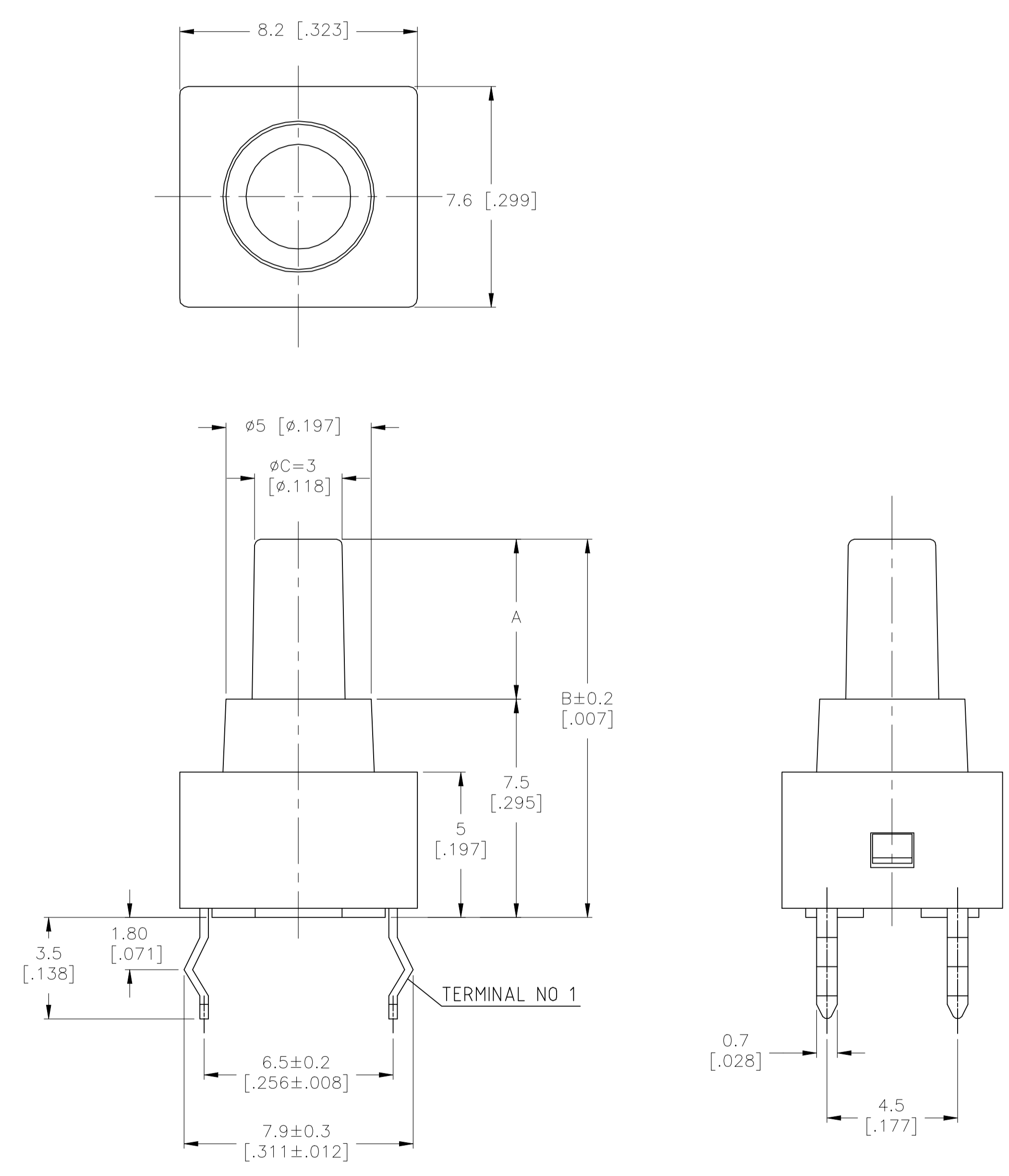
6MM TACT SWITCH, THRU-HOLE HIGH TEMP

SIZE: A1 CAGE CODE: 00779 DRAWING NO: 1825910

CUSTOMER DRAWING SCALE: 12:1 SHEET: 1 OF 2 REV: D

REVISIONS				
REV	DATE	BY	APP'D	DESCRIPTION
-	-	-	-	SEE SHEET 1

FIGURE 2. HIGHER PERFORMANCE SWITCH WITH COLLAR FOR APPLICATIONS WITH GREATER AXIAL FORCE (4-1825910-1 & 4-1825910-2)



THIS DRAWING IS A CONTROLLED DOCUMENT.		DWG: M. BINNER 07NOV06	TE Connectivity
		CHK: M. SARVER 07NOV06	
DIMENSIONS: mm [INCHES]		TOLERANCES UNLESS OTHERWISE SPECIFIED:	NAME: M. SARVER 07NOV06
<ul style="list-style-type: none"> 0. PLC ± - 1. PLC ± - 2. PLC ± 0.30 [.012] 3. PLC ± - 4. PLC ± - ANGLES ± - 		APPLICATION SPEC: -	PRODUCT SPEC: -
MATERIAL: SEE SPECIFICATIONS		FINISH: -	WEIGHT: -
		SIZE: A1	CAGE CODE: 00779
		DRAWING NO: C=1825910	RESTRICTED TO: -
		CUSTOMER DRAWING	SCALE: 8:1 SHEET 2 OF 2 REV D