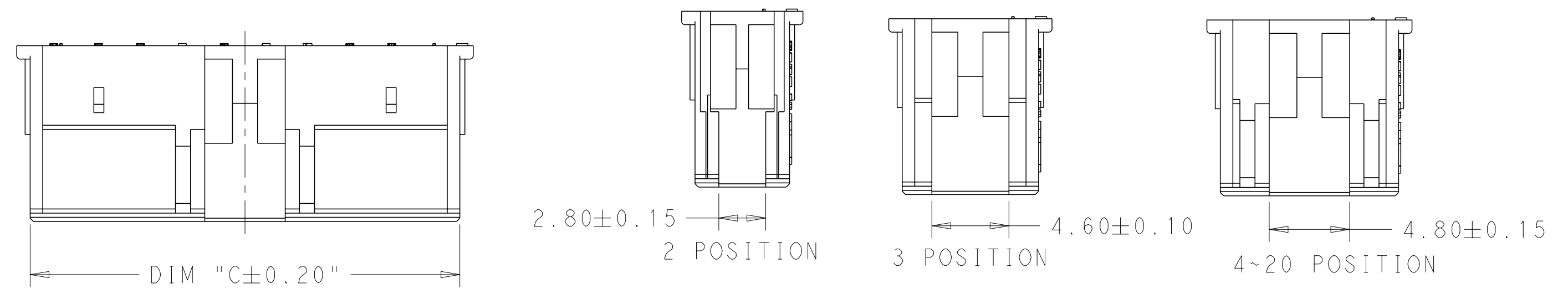
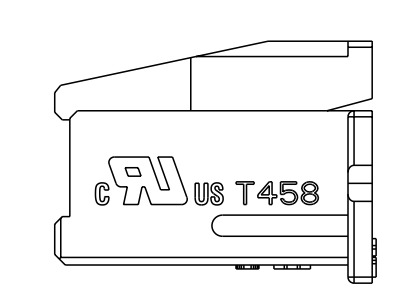
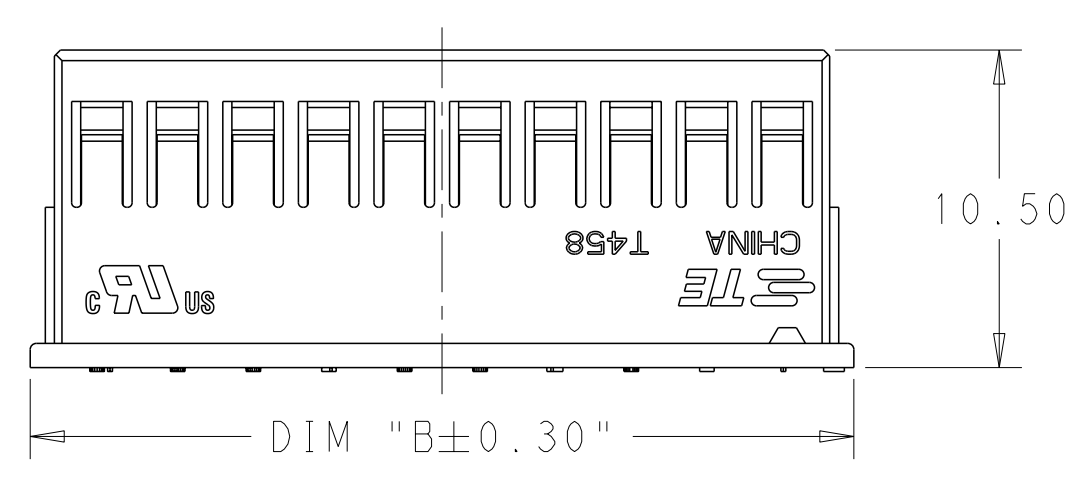
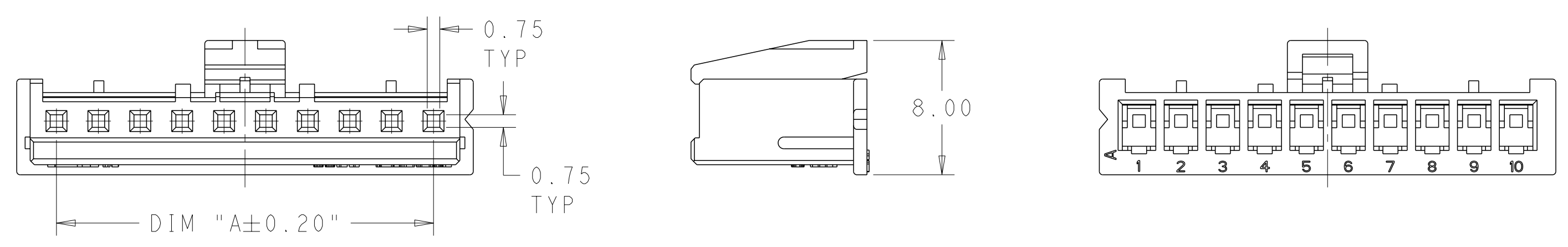


THIS DRAWING IS UNPUBLISHED. RELEASED FOR PUBLICATION  
 © COPYRIGHT copyright.d8te ALL RIGHTS RESERVED.

REVISIONS				
P	LTR	DESCRIPTION	DATE	APVD
C1		REVISED PER ECR-21-100237	22JAN2021	SK DZ
C2		REVISED PER ECR-21-125317	22DEC2021	PC LC
D		REVISED PER ECR-23-178962	11JAN2024	WH LC

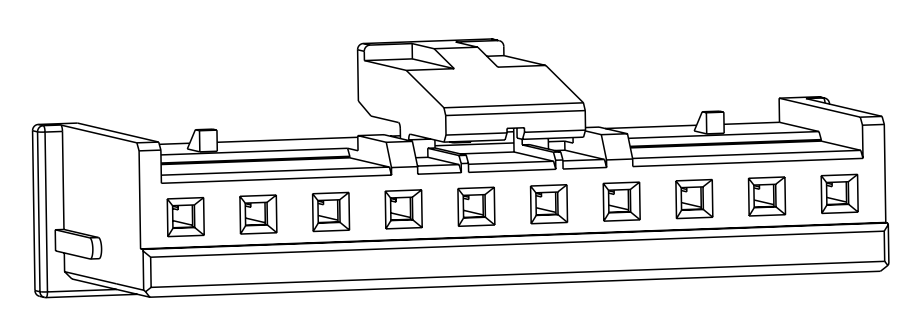


- MATERIAL: NYLON UL94V-0, NATURAL
- DIMENSIONS SHOWN REPRESENT PRODUCT IN DRY
- ACCEPTS TE RECEPTACLE P/N'S 2110989-( )
- THESE HOUSINGS CAN ACCEPT OPTIONAL TPA ( RETAINER ) P/N 1969443-( ) .
- MATES WITH TE HEADER ASSEMBLIES 2132230-( ) & 2132415-( ) .
- PACKAGING: LOOSE PIECE



ALTERNATE LOCATION FOR 2 AND 3 POSITION PARTS

LOCATION FOR 4~20 POSITION PARTS



COLOR	DIM C	DIM B	DIM A	NO. OF POSITIONS	PART NUMBER
NATURAL	50.64	52.3	47.5	20	2-1969442-0
NATURAL	48.14	49.8	45.0	19	1-1969442-9
NATURAL	45.64	47.3	42.5	18	1-1969442-8
NATURAL	43.14	44.8	40.0	17	1-1969442-7
NATURAL	40.64	42.3	37.5	16	1-1969442-6
NATURAL	38.14	39.8	35.0	15	1-1969442-5
NATURAL	35.64	37.3	32.5	14	1-1969442-4
NATURAL	33.14	34.8	30.0	13	1-1969442-3
NATURAL	30.64	32.3	27.5	12	1-1969442-2
NATURAL	28.14	29.8	25.0	11	1-1969442-1
NATURAL	25.64	27.3	22.5	10	1-1969442-0
NATURAL	23.14	24.8	20.0	9	1969442-9
NATURAL	20.64	22.3	17.5	8	1969442-8
NATURAL	18.14	19.8	15.0	7	1969442-7
NATURAL	15.64	17.3	12.5	6	1969442-6
NATURAL	13.14	14.8	10.0	5	1969442-5
NATURAL	10.64	12.3	7.5	4	1969442-4
NATURAL	8.14	9.8	5.0	3	1969442-3
NATURAL	5.64	7.3	2.5	2	1969442-2

THIS DRAWING IS A CONTROLLED DOCUMENT. DWN: JR RUTH 09SEP2016  
 CHK: TOM MICHELUTTI 27FEB14  
 APVD: TOM MICHELUTTI 27FEB14

**STE** TE Connectivity

ECONOMY POWER 2.5 TPA HOUSING

108-2418  
 APPLICATION SPEC: 114-13315

SCALE: A2  
 SHEET: 1 OF 1  
 REV: D

Printed on 16 Jan 2024 16:26 (China Standard Time) from IE311234