

4

3

2

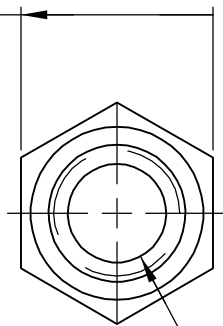
1

THIS DRAWING IS UNPUBLISHED. RELEASED FOR PUBLICATION
 © COPYRIGHT - BY TYCO ELECTRONICS CORPORATION. ALL RIGHTS RESERVED.

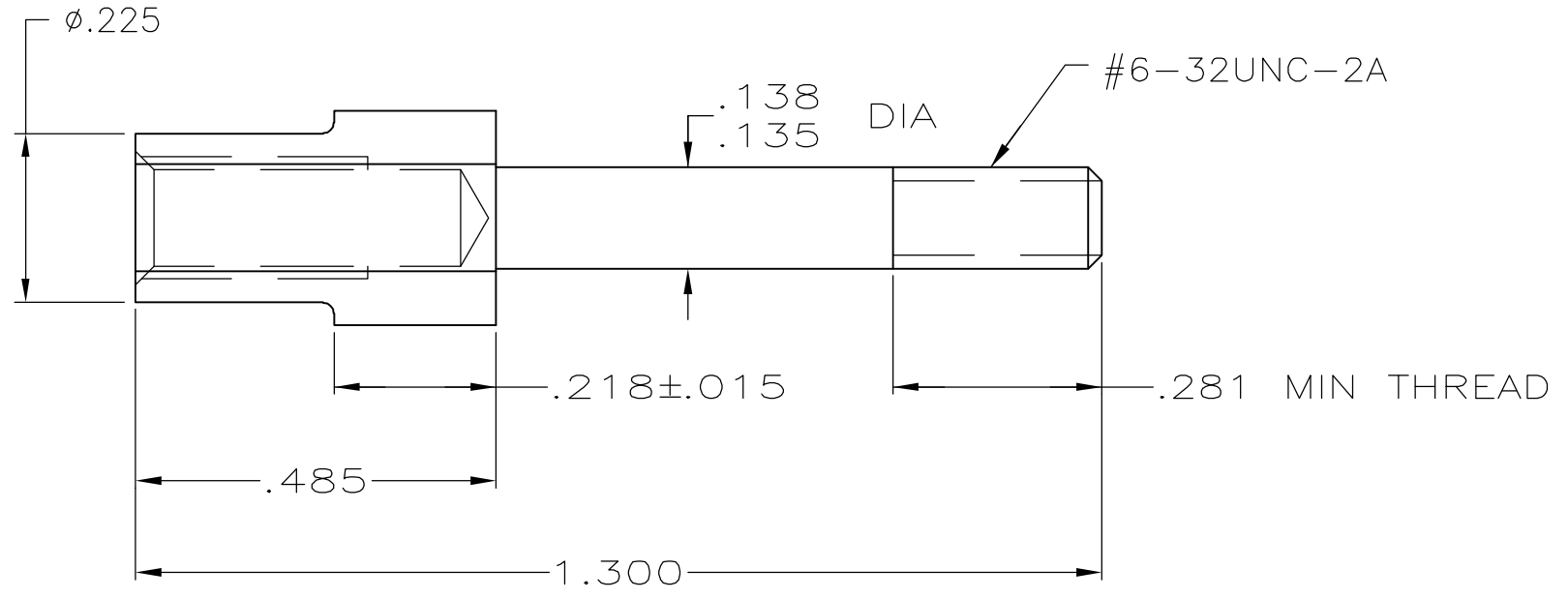
LOC	DIST	REVISIONS			
P	LTR	DESCRIPTION	DATE	DWN	APVD
FT	0		6/8/06	SS	GS
	0	-			

① MATERIAL: STAINLESS STEEL.

.250 TYP
ACROSS FLATS



#8-32UNC-2B



202480-2
PART NUMBER

THIS DRAWING IS A CONTROLLED DOCUMENT.		DWN S SCHLEGEL 6/8/06	Tyco Electronics Corporation Harrisburg, PA 17105-3608				
DIMENSIONS: INCHES		CHK G.STEINHAUER 6/8/06					
TOLERANCES UNLESS OTHERWISE SPECIFIED:		APVD G.STEINHAUER 6/8/06	NAME JACK SCREW SOCKET, FIXED, FOR CENTER FASTENER, M SERIES				
0 PLC ± - 1 PLC ± - 2 PLC ± - 3 PLC ± .005 4 PLC ± - ANGLES ± -		PRODUCT SPEC -	APPLICATION SPEC -				
MATERIAL - ①		FINISH -	WEIGHT -	SIZE A3	CAGE CODE 00779	DRAWING NO C-202480	RESTRICTED TO -
CUSTOMER DRAWING			SCALE 4:1	SHEET 1 OF 1	REV 0		