

4

3

2

1

THIS DRAWING IS UNPUBLISHED.

RELEASED FOR PUBLICATION

AUG ,2006.

© COPYRIGHT - BY TYCO ELECTRONICS CORPORATION.

ALL RIGHTS RESERVED.

LOC

DIST

REVISIONS

DW

P

LTR

DESCRIPTION

DATE

DWN

APVD

C

REVISED AS PER ECN-22-176158

02AUG'22

HS

SZ

NOTE:

1. MATERIAL:

HOUSING:PA9T, WITH 33% GF, UL 94V-0,BLACK COLOR.

CONTACTS: NICKEL COPPER 0.20+/-0.015 THICKNESS.

SHELL:STAINLESS,0.30+/-0.015 THICKNESS.

2. FINISH:

CONTACTS: GOLD FLASH OVER

0.762μm [30μ"] MIN. PALLADIUM-NICKEL OR

ALTERNATIVE [30u"] MIN. GOLD PLATED ON CONTACT AREA,

2.54μm [100μ"] MIN. MATTE-TIN ON SOLDER TAIL, WITH

ENTIRE CONTACT UNDERPLATED 1.27μm [50μ"] MIN. NICKEL.

SHELL: 2.54um [100μ"] MIN. MATTE-TIN

1.27μm [50μ"] MIN. NICKEL PLATED.

3. WAVE SOLDER CAPABLE TO 265°C PER TE TEST SPEC.

109-202, CONDITION B.

RECOMMENDED PCB LAYOUT (THICKNESS: 1.6)
(TOP VIEW, DIMENSION TOLERANCE : ±0.05)

TAPE & REEL	2041064-2
TRAY	2041064-1
PACKING	PART NUMBER

THIS DRAWING IS A CONTROLLED DOCUMENT.

DWN F. YANG 31OCT2008

CHK S. CHIEN 31OCT2008

APVD W. KODAMA 31OCT2008

PRODUCT SPEC

APPLICATION SPEC

108-57718

501-57930

WEIGHT 2.65 GRAMS

CUSTOMER DRAWING

DIMENSIONS:

MM

TOLERANCES UNLESS OTHERWISE SPECIFIED:

0 PLC	± -
1 PLC	± 0.30
2 PLC	± 0.20
3 PLC	± -
4 PLC	± -
ANGLES	± 3'

MATERIAL

SEE NOTE

FINISH

SEE NOTE

TE Connectivity

NAME

MINI USB CONNECTOR
,RECEPTACLE,VERTICAL,DIP,AB TYPE

SIZE

CAGE CODE

DRAWING NO

RESTRICTED TO

A3

00779

C=2041064

SCALE

SHEET

1 OF 3

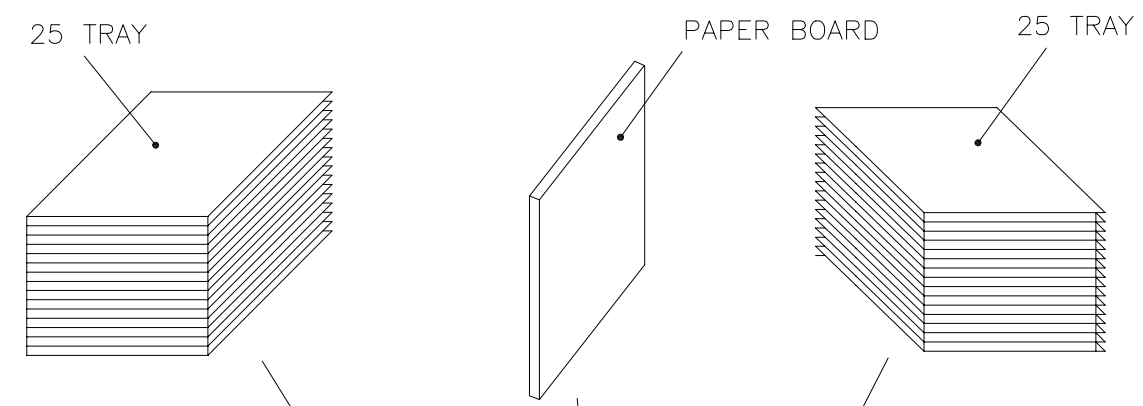
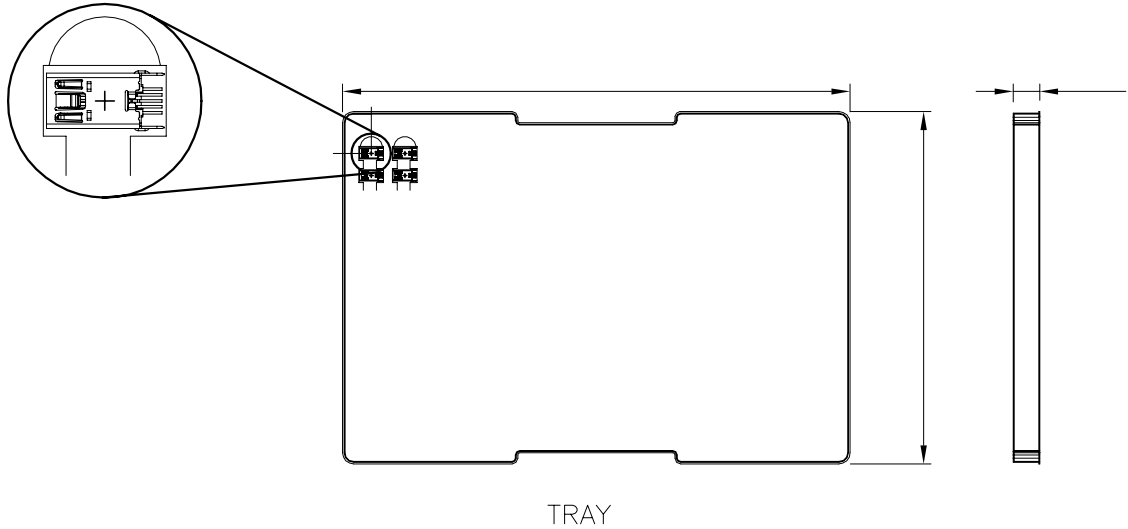
REV

C

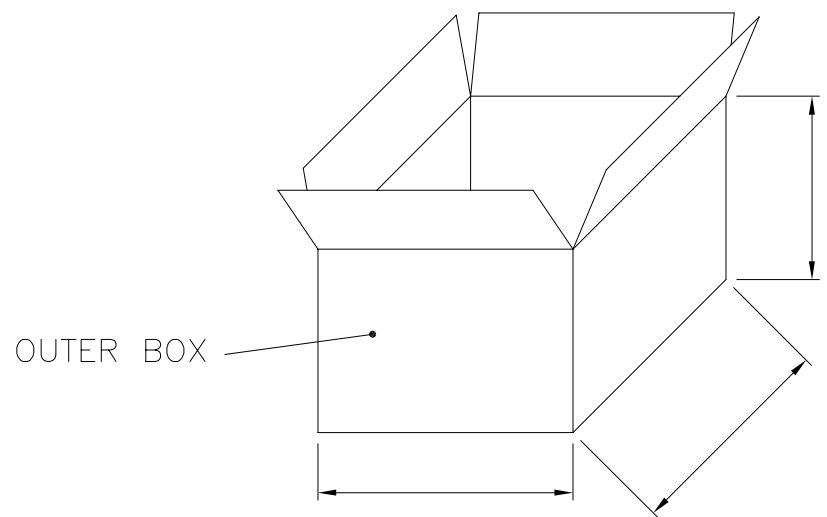
AMP 1470-19 REV 31MAR2000

THIS DRAWING IS UNPUBLISHED. RELEASED FOR PUBLICATION AUG ,2006.
 © COPYRIGHT BY TYCO ELECTRONICS CORPORATION. ALL RIGHTS RESERVED.

LOC	DIST	REVISIONS				
P	LTR	DESCRIPTION	DATE	DWN	APVD	
		SEE SHEET 1.				



- NOTE:
- PACKAGING MATERIAL IN PLASTIC, RUBBER, INK, PIGMENT AND PAINT MUST MEET CONTROLLED SUBSTANCES PER TE SPEC. TEC-138-702.
 - * CADMIUM AND CADMIUM COMPOUNDS NOT TO EXCEED: 5 PPM.
 - * LEAD, CADMIUM, CHROM VI AND MERCURY NOT TO EXCEED: 100 PPM (COMBINED).
 - EACH BAG SHALL BE INCLUDED:
 - * DESICCANT
 - * HUMIDITY INDICATOR CARD
 - * MOISTURE SENSITIVITY LABEL



6.24 Kg	3.70 Kg	100	50	5000 PCS
GROSS WEIGHT	NET WEIGHT	PCS/TRAY	TRAYS /CARTON	QUANTITY

THIS DRAWING IS A CONTROLLED DOCUMENT.		DWN	TE TE Connectivity		
DIMENSIONS: MM		CHK			
TOLERANCES UNLESS OTHERWISE SPECIFIED:		APVD	NAME		
0 PLC ± -		PRODUCT SPEC	MINI USB CONNECTOR ,RECEPTACLE,VERTICAL,DIP,AB TYPE		
1 PLC ± -		APPLICATION SPEC			
2 PLC ± -		WEIGHT	SIZE	CAGE CODE	DRAWING NO
3 PLC ± -		CUSTOMER DRAWING	A3	00779	C=2041064
4 PLC ± -			RESTRICTED TO		
ANGLES ± -			SCALE	SHEET	REV
MATERIAL			-	2 of 3	C
FINISH					

4

3

2

1

THIS DRAWING IS UNPUBLISHED.

RELEASED FOR PUBLICATION

AUG ,2006.

© COPYRIGHT BY TYCO ELECTRONICS CORPORATION.

ALL RIGHTS RESERVED.

LOC

DIST

REVISIONS

DW

P

LTR

DESCRIPTION

DATE

DWN

APVD

SEE SHEET 1.

NOTES:

1. PACKAGE: 1000 PCS/REEL,8REELS/BOX
2. MATERIAL: BLACK CONDUCTIVE POLYSTYRENE ALLOY
3. THICKNESS: 0.40±0.05mm
4. APPLICABLE DOCUMENTS:EIA-481-C

△ AFTER UNREELING DIRECTION MUST HAVE 11 PCS BLANK.(170mm Min.)
 △ BEFORE UNREELING DIRECTION MUST HAVE 25 PCS BLANK.(400mm Min.)

OUT BOX PACKAGE DIAGRAM DRAWING

ø330(13")

REEL

9.58Kg	5.92Kg	1000	8	8000 PCS
GROSS WEIGHT	NET WEIGHT	PCS/REEL	REEL /CARTON	QUANTITY

THIS DRAWING IS A CONTROLLED DOCUMENT.

DWN

CHK

APVD

PRODUCT SPEC

APPLICATION SPEC

WEIGHT

CUSTOMER DRAWING

DIMENSIONS:
MM

TOLERANCES UNLESS OTHERWISE SPECIFIED:

0 PLC	± -
1 PLC	± -
2 PLC	± -
3 PLC	± -
4 PLC	± -
ANGLES	± -

MATERIAL

FINISH

NAME

MINI USB CONNECTOR
,RECEPTACLE,VERTICAL,DIP,AB TYPE

SIZE

CAGE CODE

DRAWING NO

RESTRICTED TO

A3 00779

C=2041064

SCALE

SHEET

3 of 3

REV

C

AMP 1470-19 REV 31MAR2000