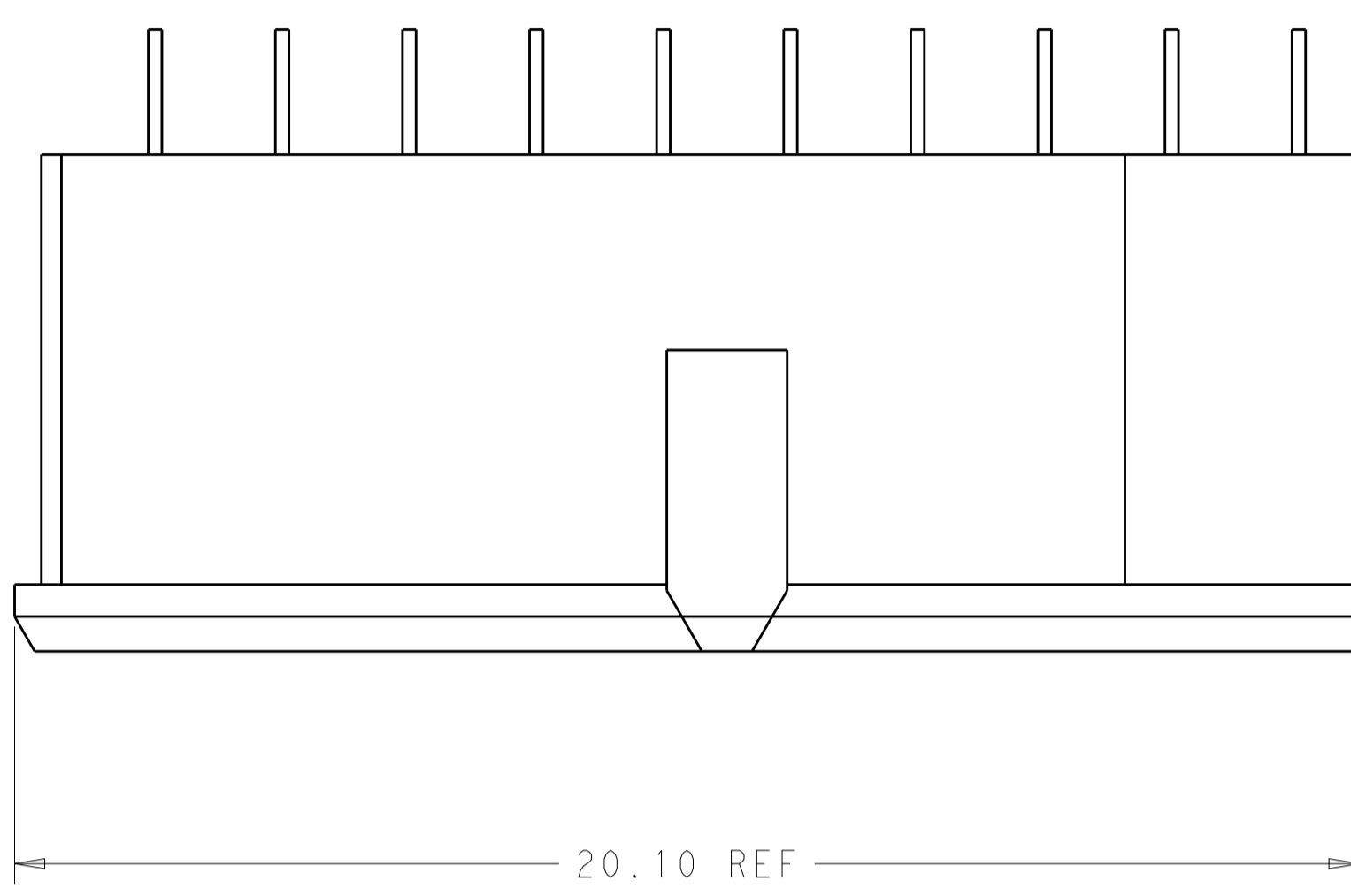
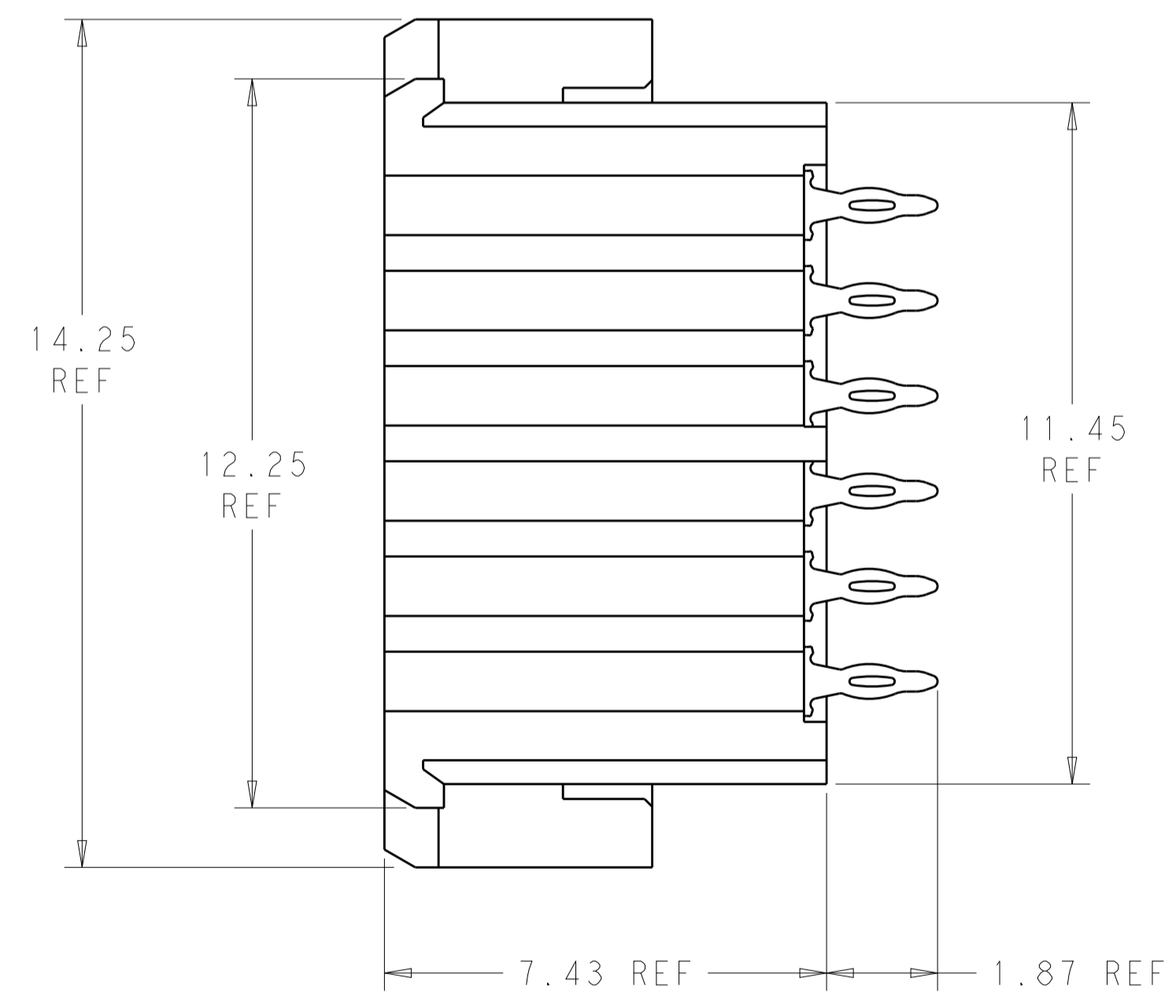
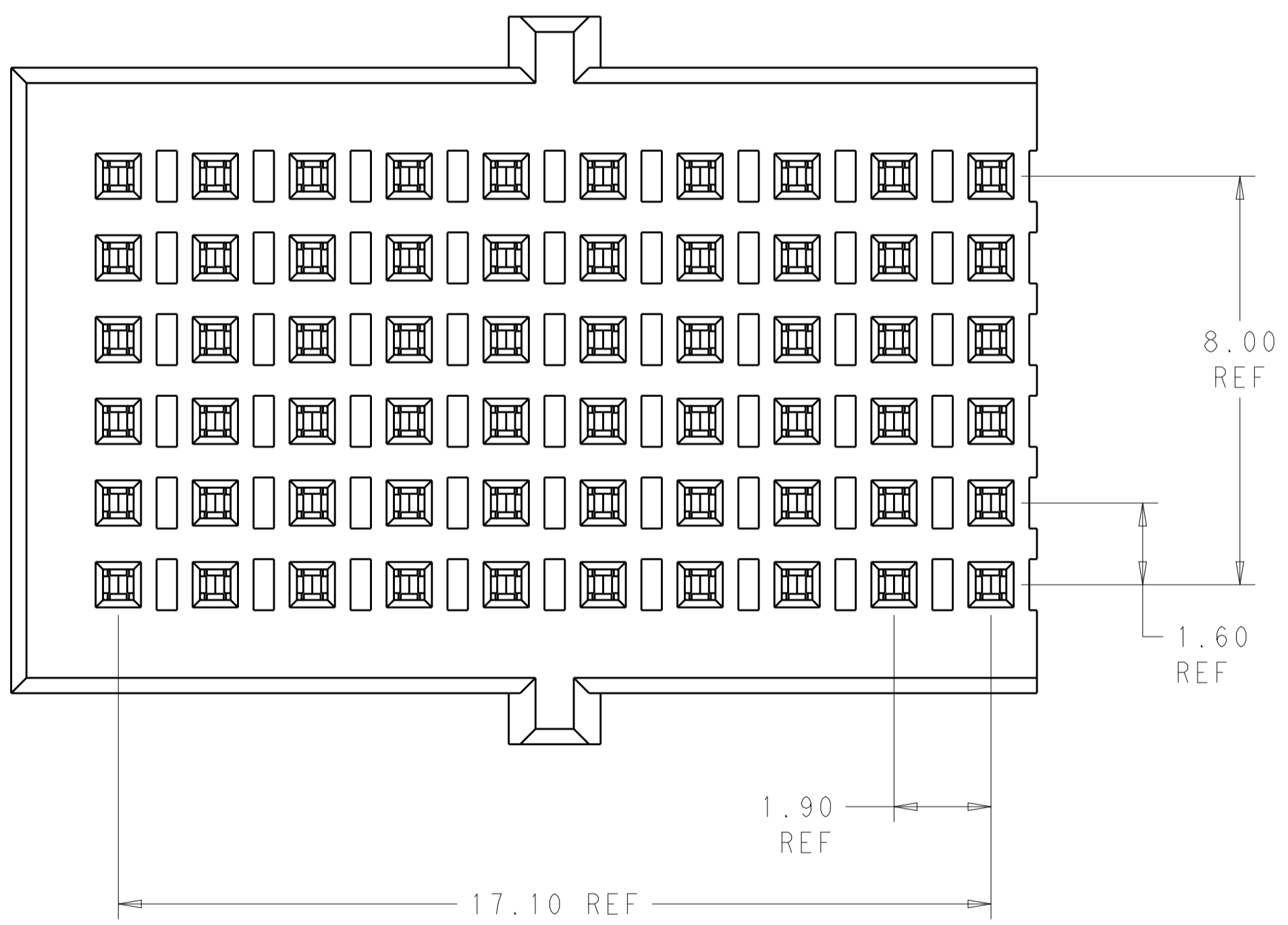


LOC		DIST		REVISIONS			
P	LTN	DESCRIPTION	DATE	DWN	APVD		
A		REVISED PER ECO-12-018102	11OCT2012	MGM	CT		
B		ECO-13-004759	01APR2013	KG	DH		
C		REVISED PER ECO-14-014385	20NOV14	MGM	CT		



- 1 MATERIAL:  
CONTACT - COPPER ALLOY  
HOUSING - LCP, COLOR - BLACK
- 2 FINISH:  
MATING AREA: 1.27µm MIN GOLD OVER  
1.25µm MIN NICKEL
- 3 FINISH:  
COMPLIANT PIN AREA: 0.38µm MIN BRIGHT TIN LEAD  
OVER 1.27µm MIN NICKEL
- 4 FINISH:  
COMPLIANT PIN AREA: 0.38µm MIN MATTE TIN  
OVER 1.27µm MIN NICKEL
- 5 --
- 6 DATUMS AND BASIC DIMENSIONS ESTABLISHED BY CUSTOMER.
- 7 REFERENCE APPLICATION SPEC 114-13267 FOR RECOMMENDED  
PLATING THRU HOLE DIAMETER AND PLATING THICKNESS.
- 8 RECOMMENDED DIFFERENTIAL PAIR CONFIGURATION SHOWN.  
THE CONNECTOR UTILIZES AN OPEN PIN FIELD AND  
CAN BE LAID OUT IN A SINGLE-ENDED CONFIGURATION.



2 4	2102092-2
2 3	2102092-1
FINISH	PART NUMBER

THIS DRAWING IS A CONTROLLED DOCUMENT. DIMENSIONING AND TOLERANCING PER ASME Y14.5M-2009.

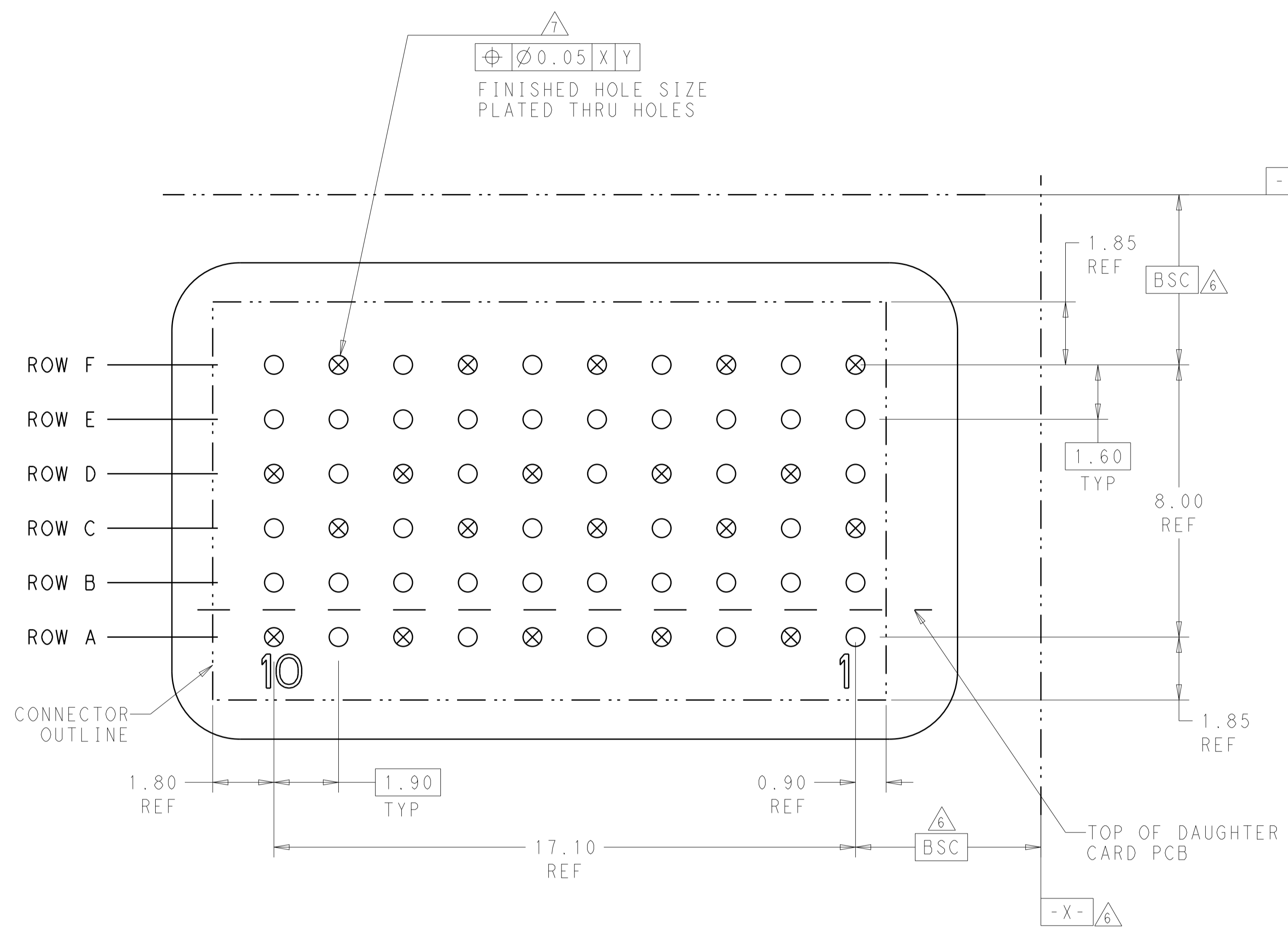
DWN: D. BELACK, ZANOV2010  
CHK: A. TSANG  
APVD: M. McALONIS

NAME: Fortis Zd, 2-PAIR, 10-COLUMN, VERTICAL, END MODULE ASSEMBLY

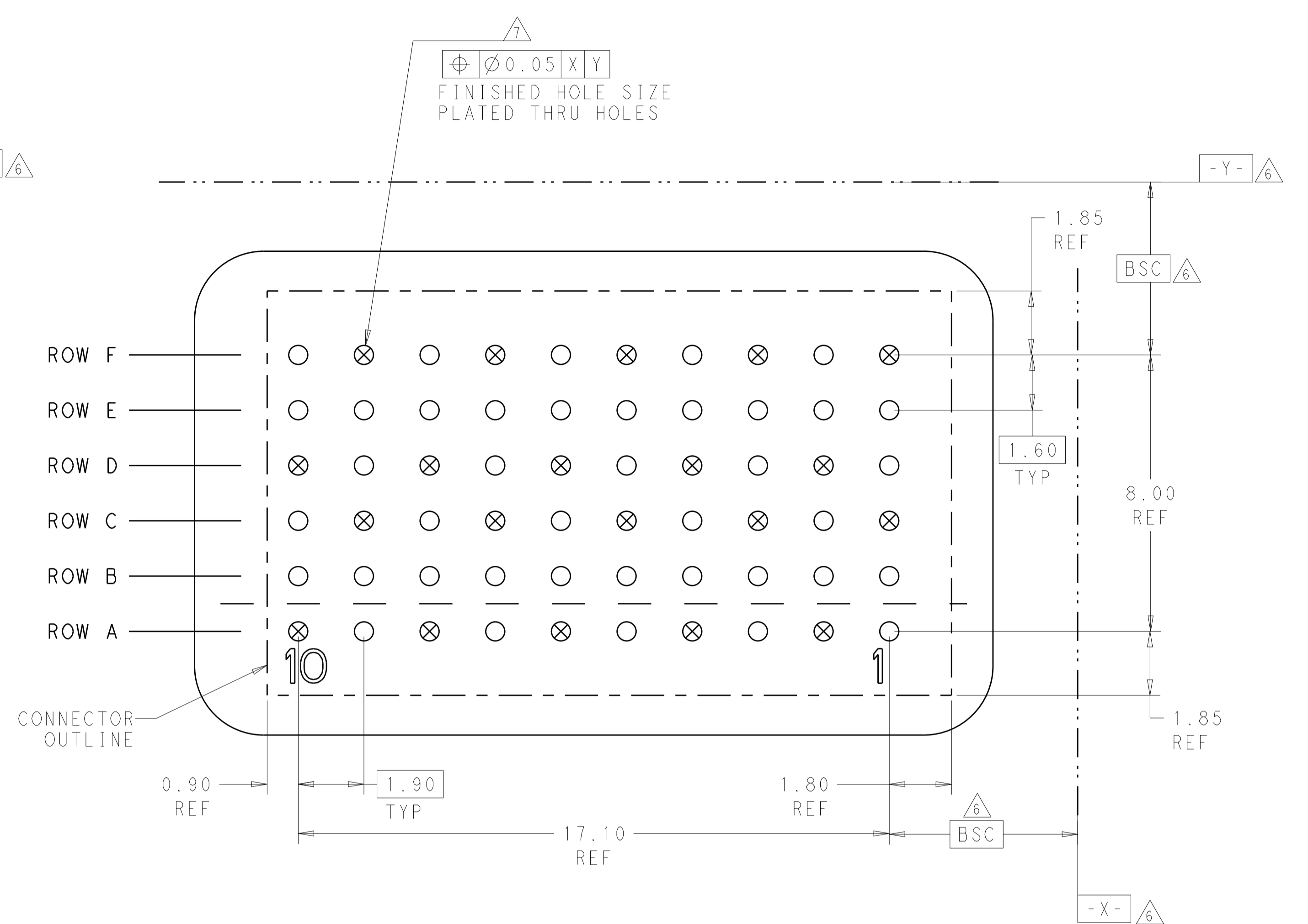
SIZE: A1, CAGE CODE: 100779, DRAWING NO: 2102092, WEIGHT: ~2.57 g

SCALE: 10:1, SHEET: 1 OF 2, REV: C

LOC	DIST	REV	DATE	BY	APPV
-	-	1	-	-	-
REVISIONS			DESCRIPTION		
-			SEE SHEET 1		



○ = SIGNAL  
 $\triangle$  ⊗ = GROUND  
 RECOMMENDED DIFFERENTIAL PAIR PC BOARD LAYOUT 1  
 COMPONENT SIDE SHOWN  
 SCALE 10:1



○ = SIGNAL  
 $\triangle$  ⊗ = GROUND  
 RECOMMENDED DIFFERENTIAL PAIR PC BOARD LAYOUT 2  
 COMPONENT SIDE SHOWN  
 SCALE 10:1

THIS DRAWING IS A CONTROLLED DOCUMENT. DIMENSIONING AND TOLERANCING PER ASME Y14.5M-2009.		DWN: D. BELACK ZANOV2010	TE Connectivity
TOLERANCES UNLESS OTHERWISE SPECIFIED:		CHK: A. TSANG	
DIMENSIONS:	mm	APVD: M. McALONIS	NAME: Fortis Zd, 2-PAIR, 10-COLUMN, VERTICAL, END MODULE ASSEMBLY
0 PLC ± 1 PLC ±0.13 2 PLC ±0.05 3 PLC ± 4 PLC ± ANGLES ±2°	FINISH	APPLIC. SPEC	SIZE: CAGE CODE: DRAWING NO: RESTRICTED TO
MATERIAL		WEIGHT: 2.57	A100779C=2102092
CUSTOMER DRAWING		SCALE: 10:1	SHEET 2 OF 2 REV C