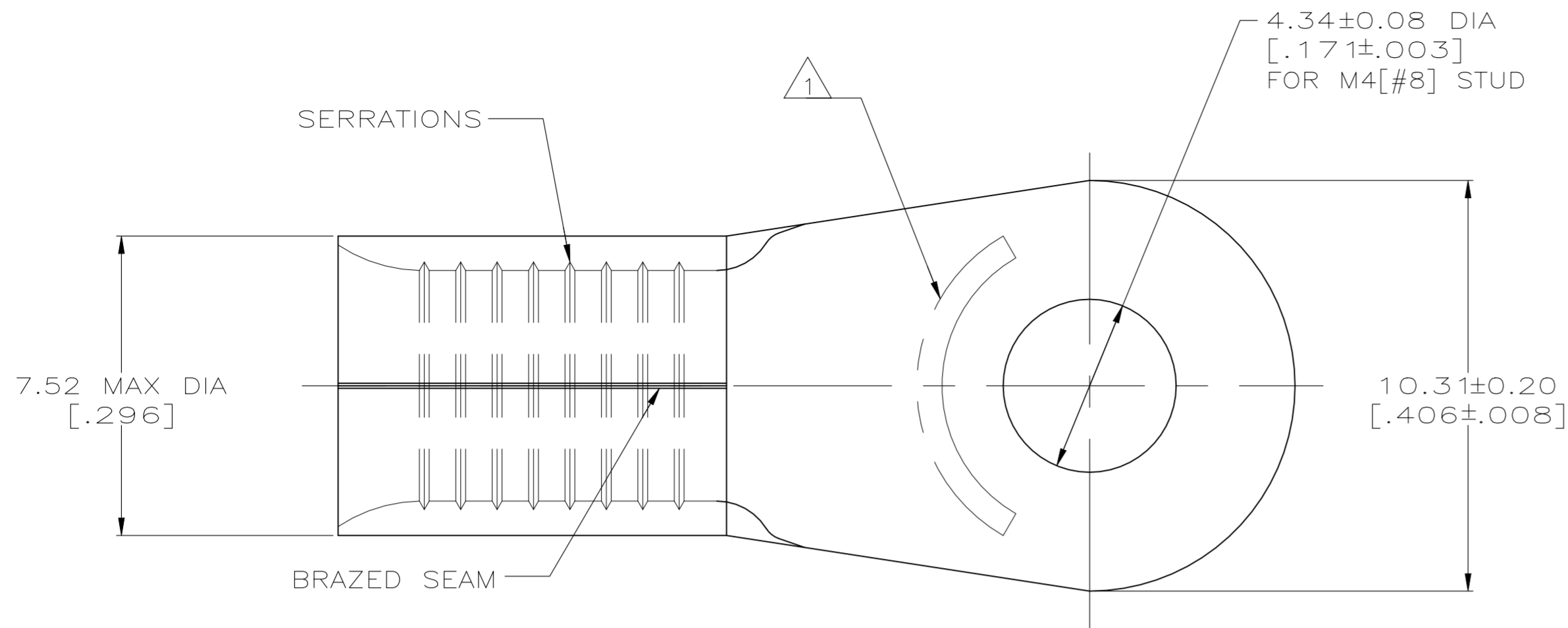


REVISIONS					
P	LTR	DESCRIPTION	DATE	DWN	APVD
	S5	REVISED PER ECN-22-150900	28APR2022	RK	CSD

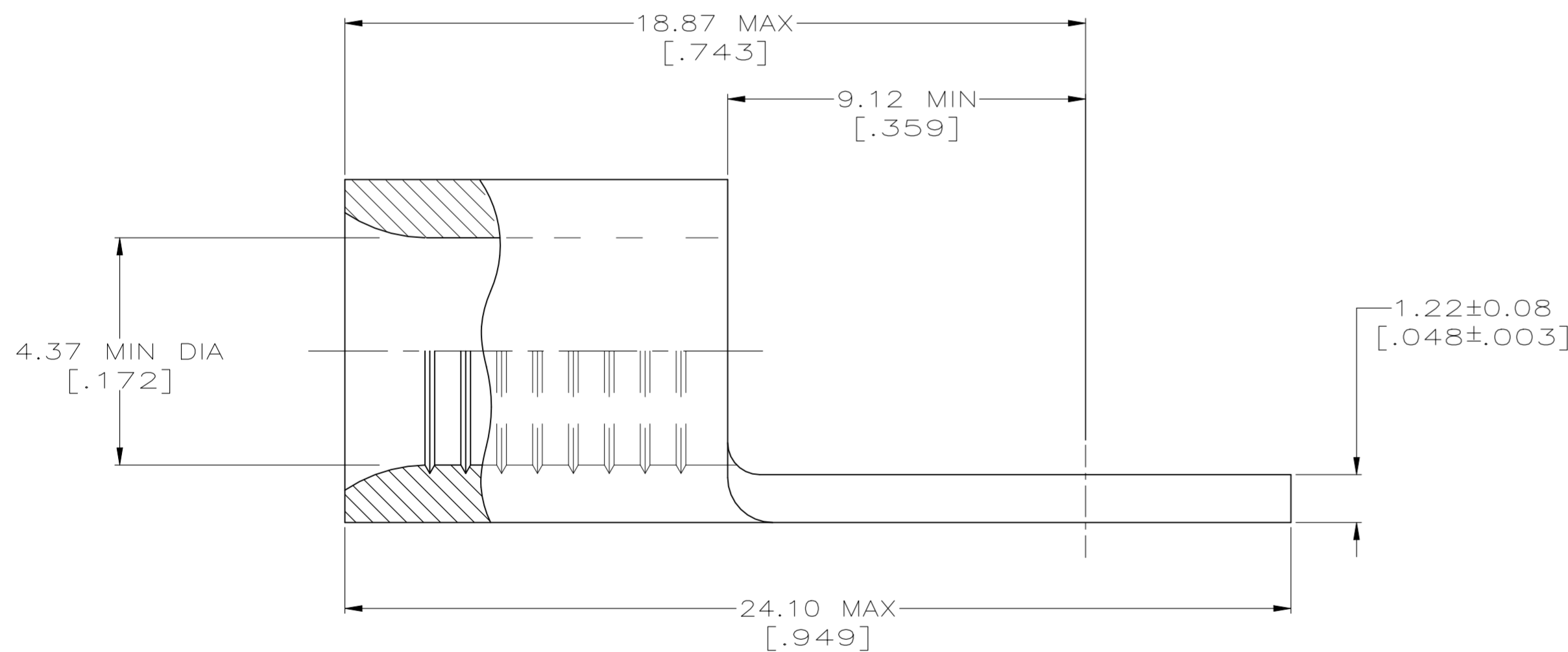
**AMP**  
WIRE RANGE

---

8 AWG  
SOLID OR STRANDED



- 1 STAMP AMP 8\* APPROX AS SHOWN
- 2 COPPER PER ASTM B-152, ANNEALED
- 3 UL LISTED E13288, 8 AWG STRANDED
- 4 CSA CERTIFIED LR7189, 8 AWG STRANDED
- 5 NOTE DELETED
- 6 TIN PLATE 0.00254 [.000100] MIN THK PER ASTM B545
- 7 NICKEL PLATE 0.00762 [.000300] MIN THK PER QQ-N-290.
- 8 TIN-LEAD (60-40) PLATE 0.00254 [.000100] MIN THK PER SAE-AMS-P-81728
- 9 TIN-LEAD (93-7) PLATE 0.00254 [.000100] MIN THK PER ASTM-B545 ( 3% MIN LEAD CONTENT )
- 10 LONGER WIRE BARREL THAN OTHER #8 AWG; PROPER WIRE STRIP LENGTH: 9.12-9.94 [.359-.390]; IGNORE TOOLING INSTRUCTION SHEET STRIP LENGTH
- 11 PRELIMINARY - NOT FOR PRODUCTION



APPROVALS	MAX OPERATING TEMPERATURE	QTY	PACKAGE TYPE	FINISH	PART NO.
---	170°C [338°F]	1500	324061 ON TAPE	6	3-324061-1
---	343°C [649°F]	----	LOOSE PIECE	7	2-324061-5
---	170°C [338°F]	100	LOOSE PIECE	9	11 324061-2
---	170°C [338°F]	50	LOOSE PIECE	8	11 324061-1
3 4	170°C [338°F]	100	LOOSE PIECE	6	324061

**AMP INCORPORATED**  
**CUSTOMER SERVICE SYSTEMS**

MAX RECOMMENDED OPERATING TEMPERATURE:  
SEE TABLE

VOLTAGE RATING:  
N/A

CIRCULAR MIL AREA:  
6.64-10.5mm² [13,100-20,800]  
SOLID OR STRANDED

THIS DRAWING IS A CONTROLLED DOCUMENT FOR AMP INCORPORATED. IT IS SUBJECT TO CHANGE AND THE CONTROLLING ENGINEERING ORGANIZATION SHOULD BE CONTACTED FOR THE LATEST REVISION.

FOR ADDITIONAL PRODUCT INFORMATION OR COPIES OF DRAWINGS AND TECHNICAL DOCUMENTS  
1-800-522-6752

FOR APPLICATION TOOLING INFORMATION  
1-800-722-1111

FOR ORDER ENTRY  
1-800-526-5142

PRODUCT INFORMATION CENTER  
1-800-522-6752

TOOLING ASSISTANCE CENTER  
1-800-722-1111

THIS DRAWING IS A CONTROLLED DOCUMENT.

DWN TA BRINKMAN 3-24-93  
CHK DA PATTERSON 3-24-93  
APVD JL MECKLEY 3-24-93  
PRODUCT SPEC

**TE** TE Connectivity

NAME  
TERMINAL, RING TONGUE, SOLISTRAND

DIMENSIONS: mm[INCHES]  
TOLERANCES UNLESS OTHERWISE SPECIFIED:  
0 PLC ± -  
1 PLC ± -  
2 PLC ± -  
3 PLC ± -  
4 PLC ± -  
ANGLES ± -

APPLICATION SPEC  
WEIGHT 2.99 GRAMS  
CUSTOMER DRAWING

SIZE A2 CAGE CODE 00779 DRAWING NO C-324061 RESTRICTED TO -  
SCALE 8:1 SHEET 1 OF 1 REV S5