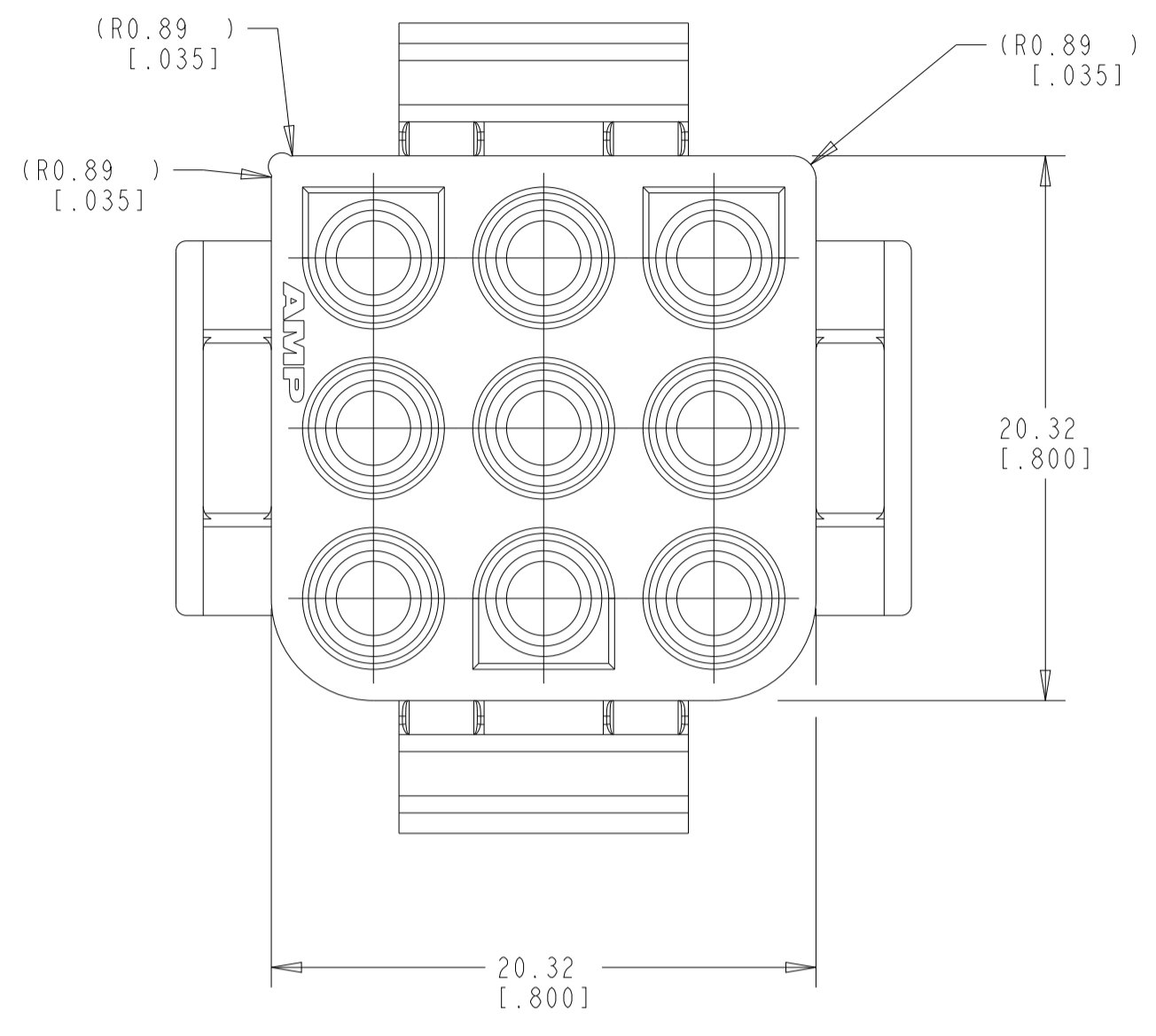
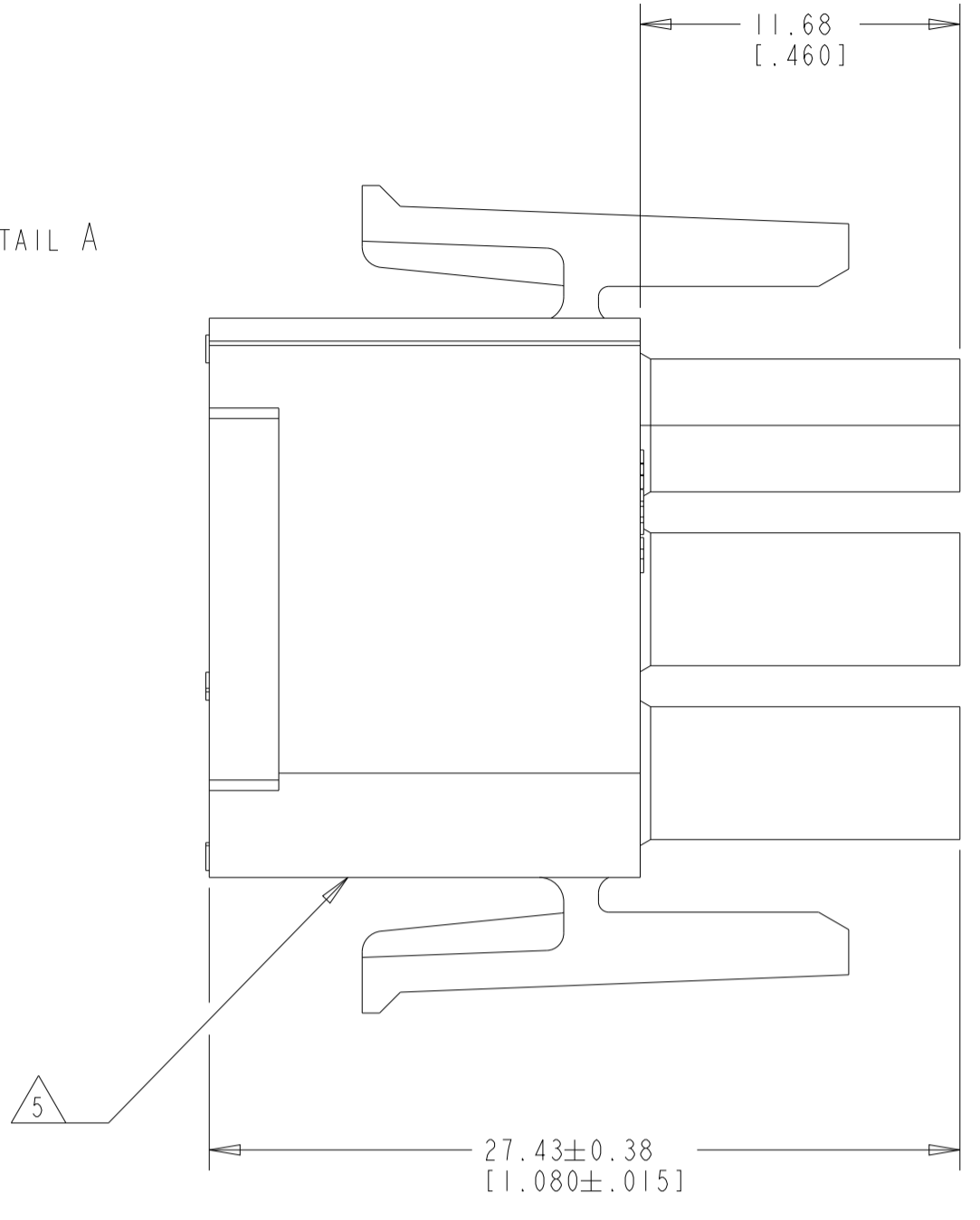
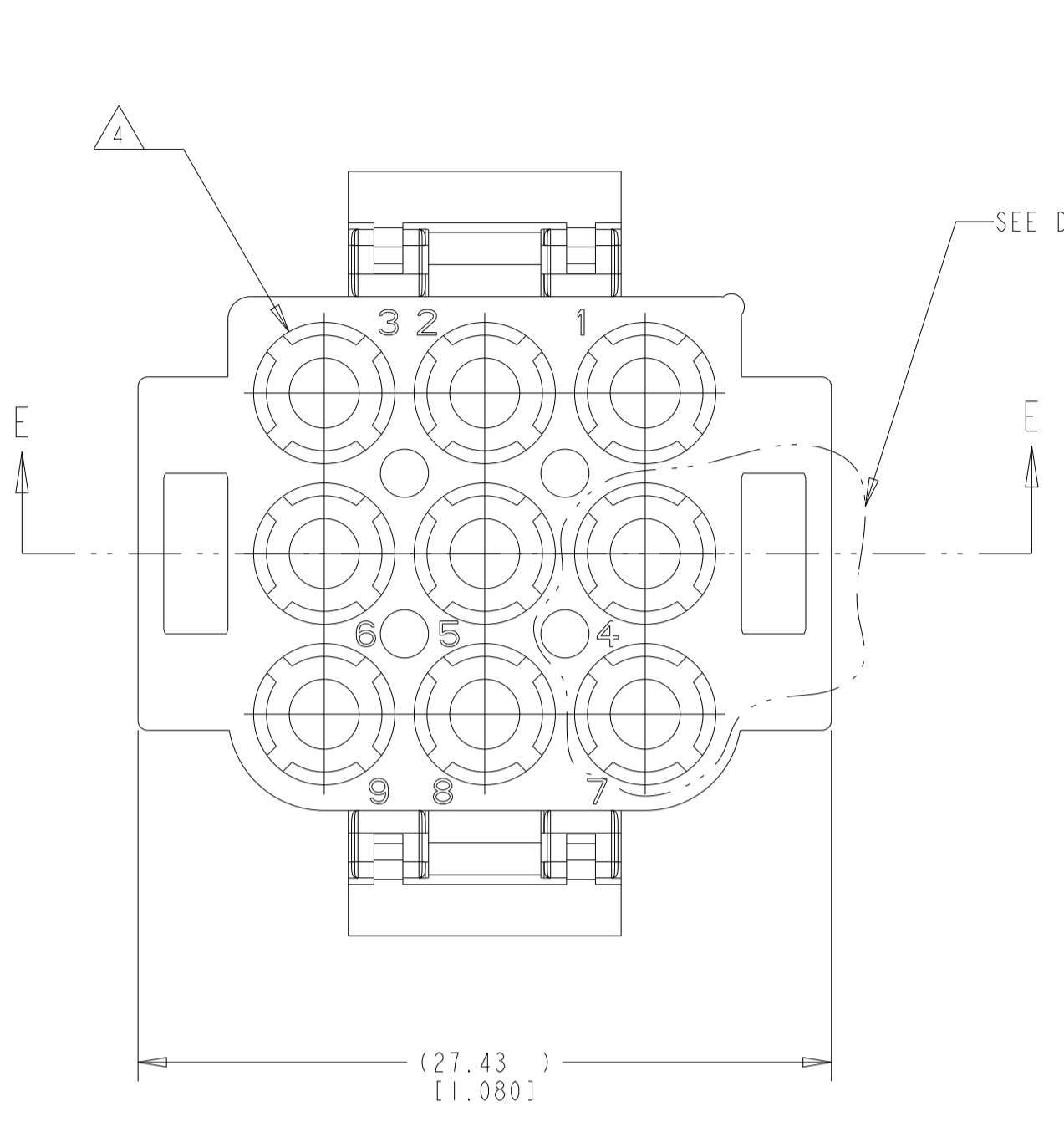
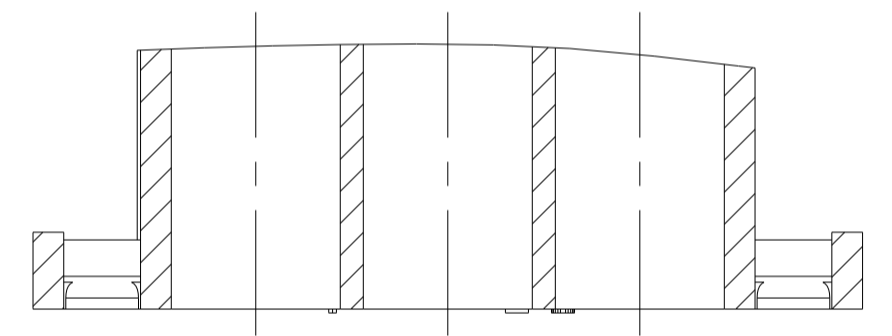


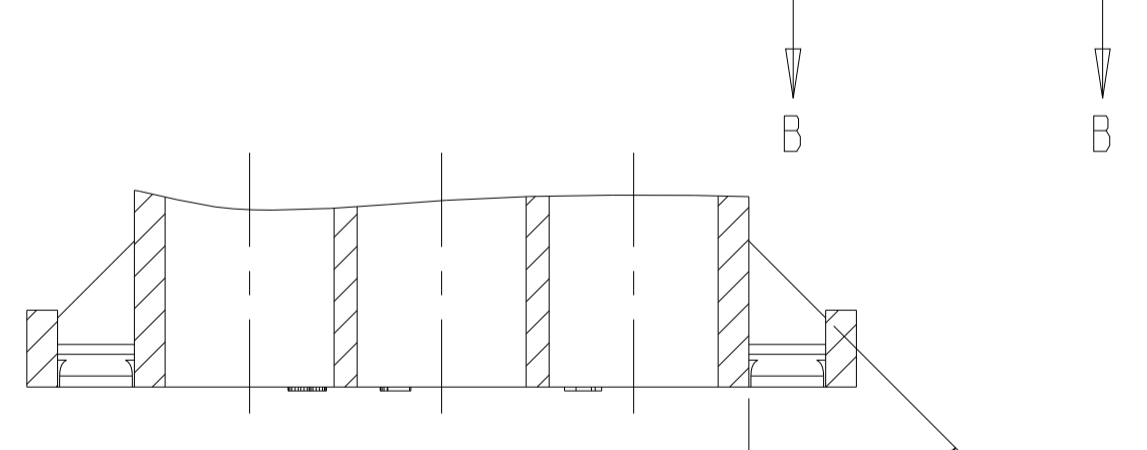
REVISIONS				
P	LTN	DESCRIPTION	DATE	APVD
AL	1	REVISED PER ECR-17-008392	26 JUN 2017	BW KR
AM	2	REVISED PER ECR-24-218682	09 SEP 2024	AK BR
AN	3	REVISED PER ECR-24-224423	25 OCT 2024	AK BR
AP	4	REVISED PER ECR-25-231608	24 MAR 2025	AK BR



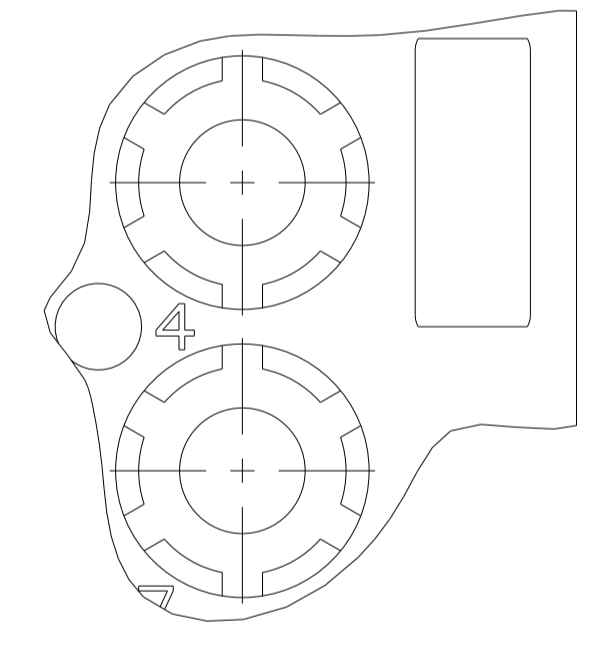
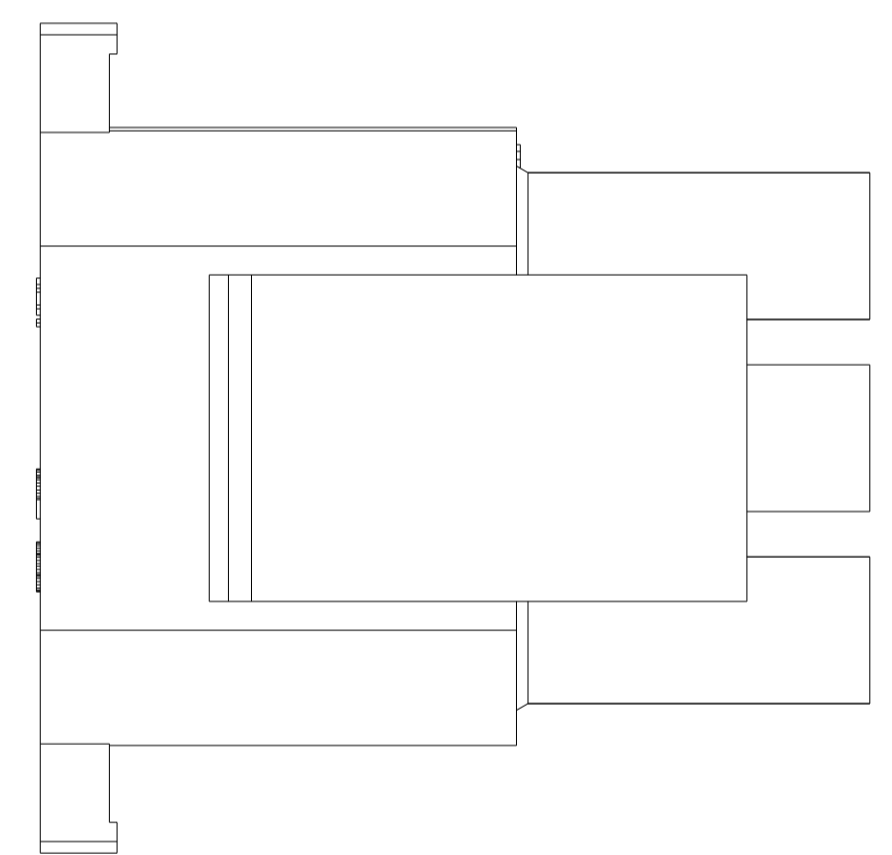
- MATES WITH APPROPRIATE UNIVERSAL MATE-N-LOK™ CAP OR HEADER.
 - SMALL NICKS ARE PERMITTED ON THE CIRCUIT TOWERS WHICH COULD INCREASE THE INITIAL HOUSING MATING FORCE BY UP TO 4.4 NEWTONS [1.0 LBS]. NO INDIVIDUAL NICKED TOWER SHALL INCREASE THIS FORCE BY OVER 2.2 NEWTONS [.5 LBS].
 - DIMENSIONS SHOWN REPRESENT PRODUCT IN DRY, AS MOLDED, CONDITION. ADDITIONAL 2% GROWTH DUE TO SUBSEQUENT MOISTURE ABSORPTION MAY OCCUR AND SHOULD BE ACCOUNTED FOR.
- △4 FOUR RIBS EQUALLY SPACED, NO SPECIFIC ORIENTATION, OR SIX RIBS EQUALLY SPACED, NO SPECIFIC ORIENTATION, OPTIONAL.
 - △5 UNDERWRITERS RECOGNIZED COMPONENT LOGO AND CSA CERTIFICATION LOGO TO BE LOCATED ONCE EACH ON SIDE OF HOUSING.
 - △6 OBSOLETE PARTS: OBSOLETE CIS STREAMLINING PER D.RENAUD/D.SINISI



PARTIAL SECTION E-E



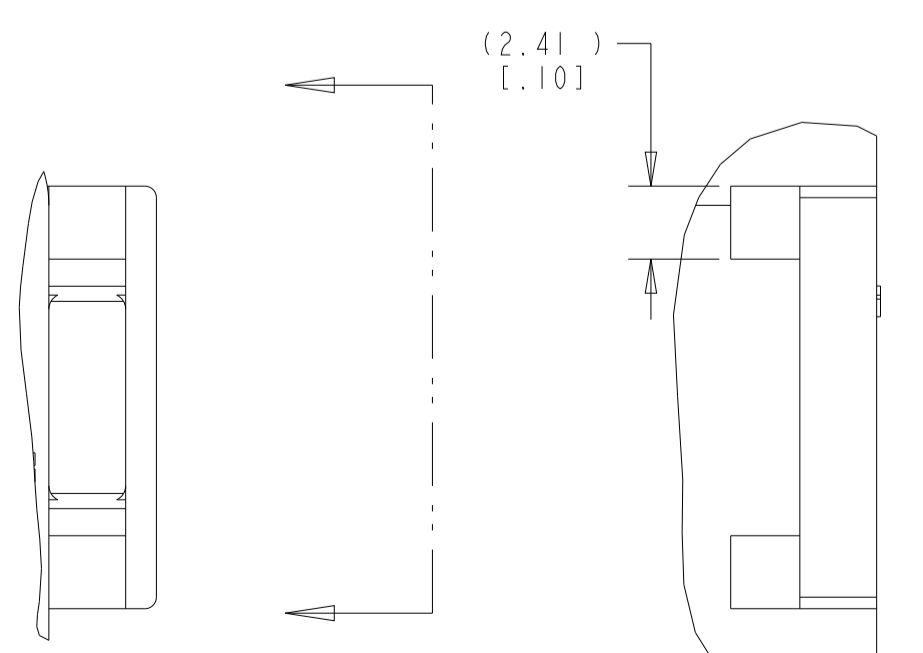
PARTIAL SECTION E-E
OPTIONAL CONSTRUCTION



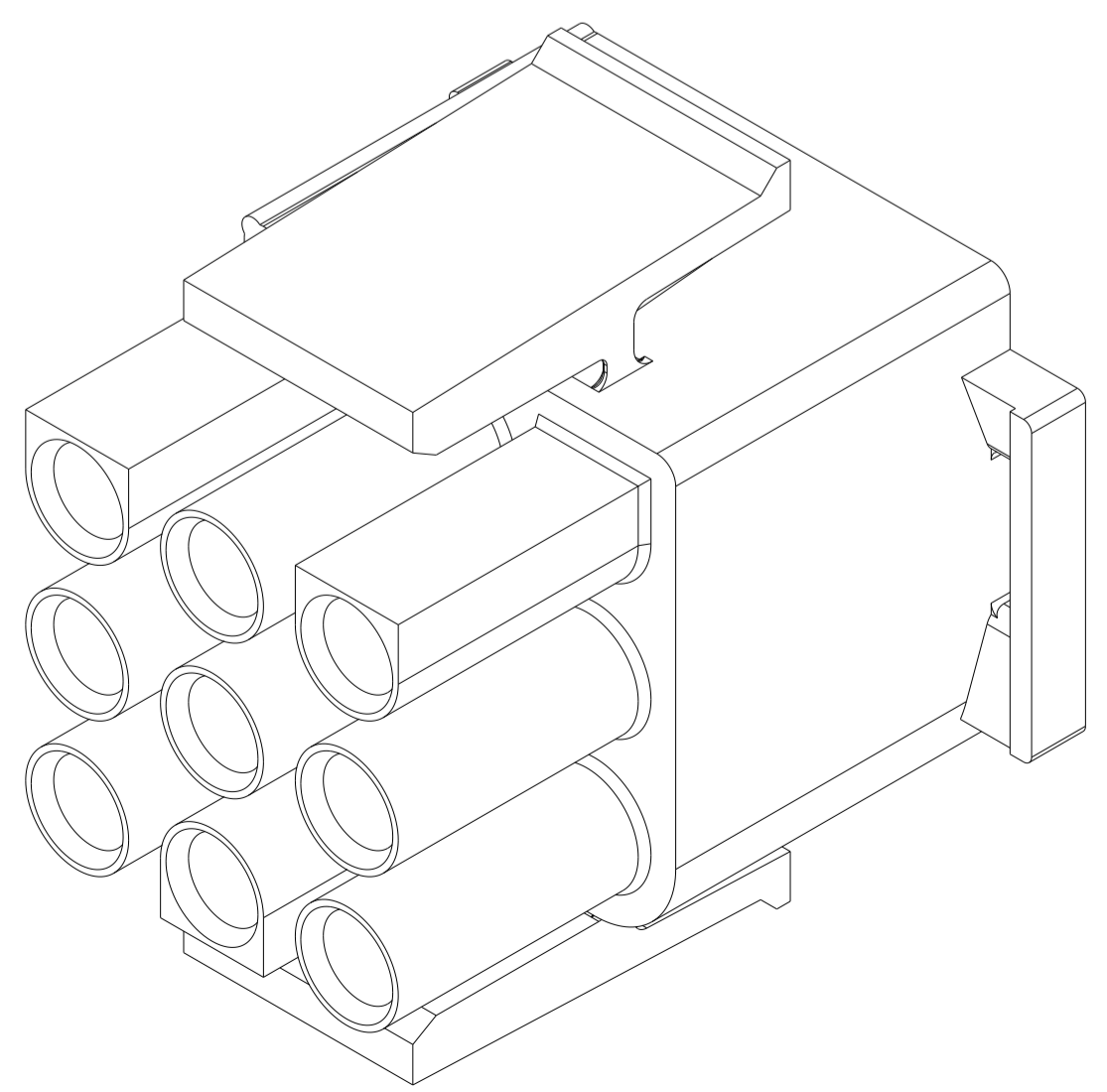
PARTIAL DETAIL A △4
SCALE 6:1
OPTIONAL CONSTRUCTION



PARTIAL SECTION E-E
OPTIONAL CONSTRUCTION



VIEW B
OPTIONAL CONSTRUCTIONS



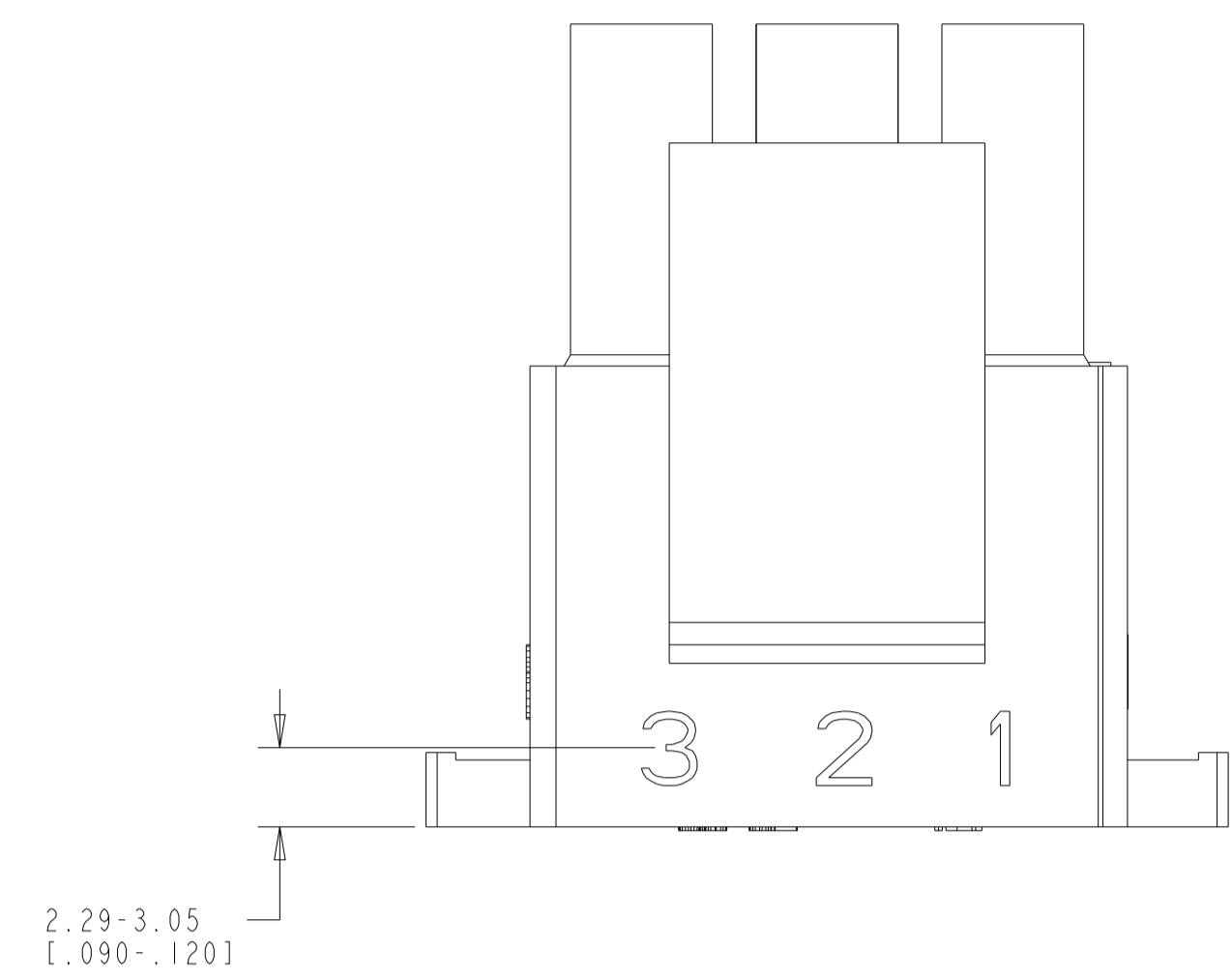
	BLACK	1-480706-9
△6	OBSOLETE	GRAY 1-480706-8
△6	SUPERCEDED BY 1-480706-0	BLUE 1-480706-6
△6	OBSOLETE	GREEN 1-480706-5
△6	OBSOLETE	YELLOW 1-480706-4
△6	OBSOLETE	ORANGE 1-480706-3
	RED	1-480706-2
	BROWN	1-480706-1
	NATURAL	1-480706-0
	COLOR	PART NO.

THIS DRAWING IS A CONTROLLED DOCUMENT.

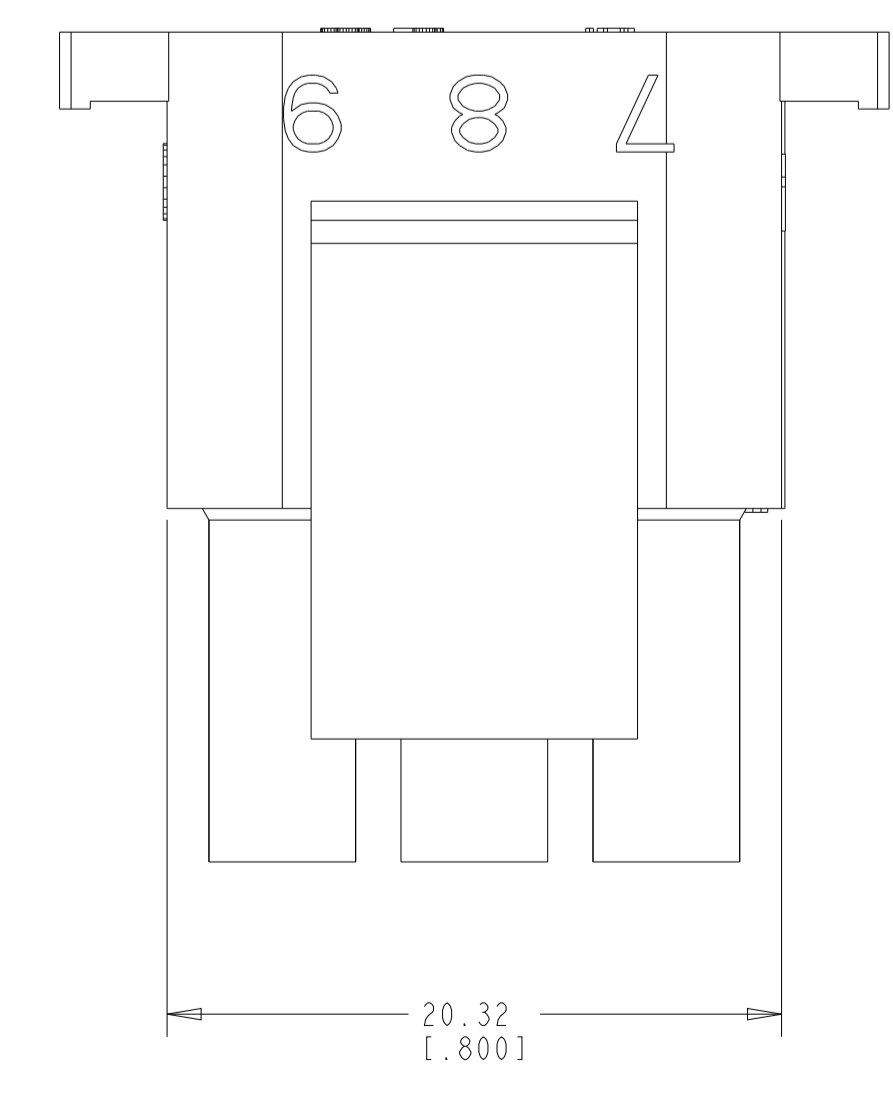
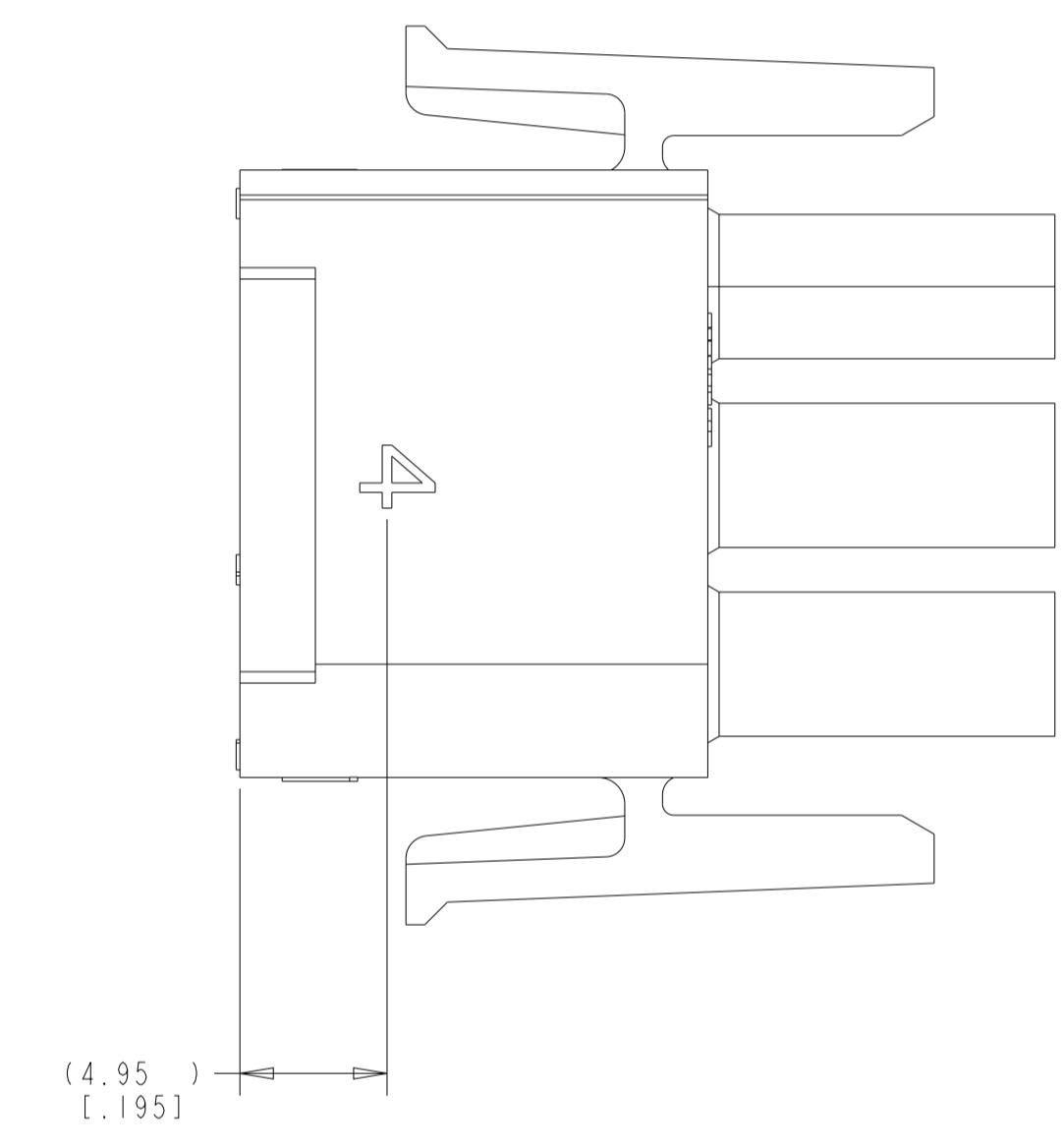
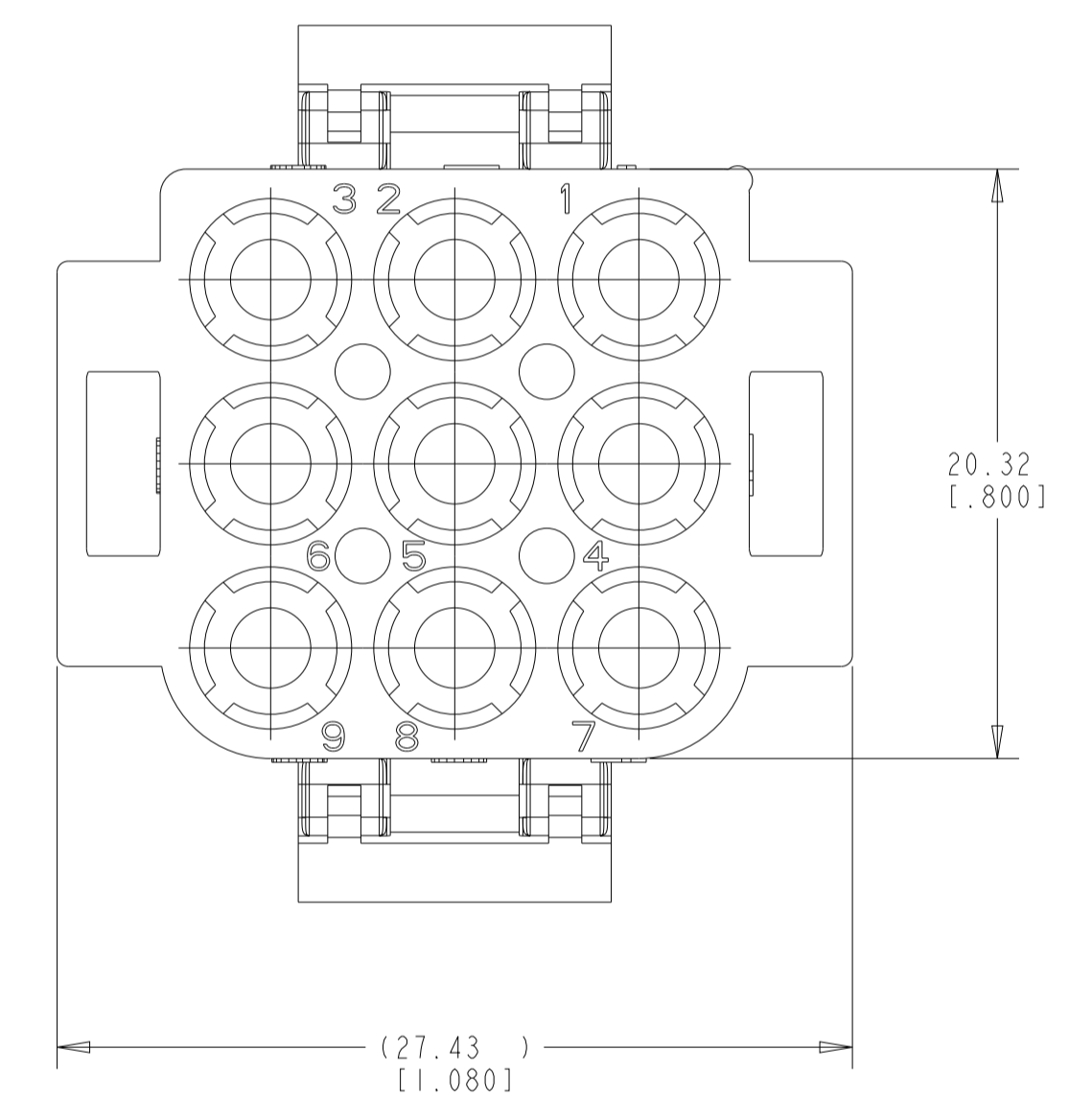
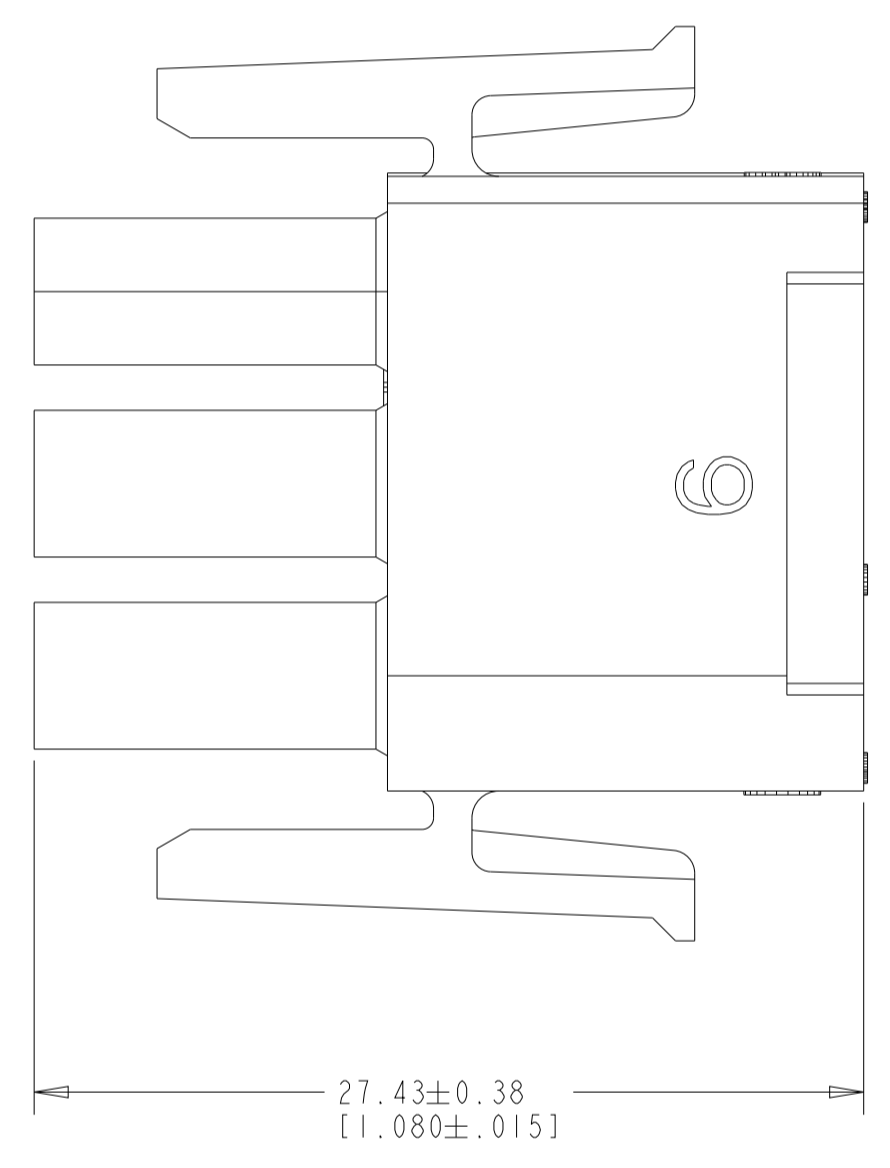
DIMENSIONS: mm [INCHES]	TOLERANCES UNLESS OTHERWISE SPECIFIED: 0 PLC ± 1 PLC ± 2 PLC ±0.13 [0.005] 3 PLC ± 4 PLC ± ANGLES ±40°30'	DWN K. WHITAKER 01SEP2004 CHK S. RIDGILL 01SEP2004 APVD S. RIDGILL 01SEP2004	NAME PLUG, 9 CIRCUIT, UNIVERSAL MATE-N-LOK
MATERIAL NYLON, UL94V-2	FINISH	APPLICATION SPEC	SIZE CAGE CODE DRAWING NO RESTRICTED TO
		WEIGHT	A 00779 480706
		CUSTOMER DRAWING	SCALE 4:1 SHEET 1 OF 2 REV AP

TE Connectivity

REVISIONS				
P	LTN	DESCRIPTION	DATE	APVD
-		SEE SHEET 1	-	-



1. MOLD NUMBERS APPROXIMATELY 3mm HIGH AT WIRE END OF HOUSING (12 POINT DAVID TYPE).
2. CHARACTERS TO BE POSITIONED ON HOUSING TO BE READ FROM WIRE END ONLY.



SUPERSEDED BY 1-480706-0 NATURAL COLOR PART NUMBER 2-480706-0

THIS DRAWING IS A CONTROLLED DOCUMENT.		DWN: K. WHITAKER 01SEP2004 CHK: S. RIDGILL 01SEP2004 APVD: S. RIDGILL 01SEP2004	NAME: PLUG, 9 CIRCUIT, UNIVERSAL MATE-N-LOK PRODUCT SPEC: - APPLICATION SPEC: -
DIMENSIONS: mm [INCHES]	TOLERANCES UNLESS OTHERWISE SPECIFIED: 0 PLC ± 1 PLC ± 2 PLC ±0.13 [1.005] 3 PLC ± 4 PLC ± ANGLES ±0°30' FINISH: -	SIZE: A CAGE CODE: 00779 DRAWING NO: 480706	RESTRICTED TO: - SCALE: 5:1 SHEET: 2 OF 2 REV: AP
MATERIAL: NYLON, UL94V-2		WEIGHT: -	CUSTOMER DRAWING