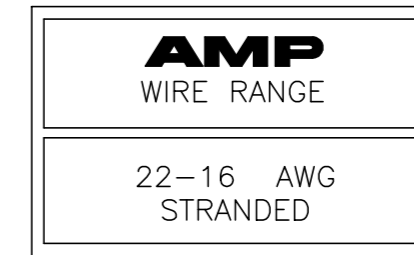
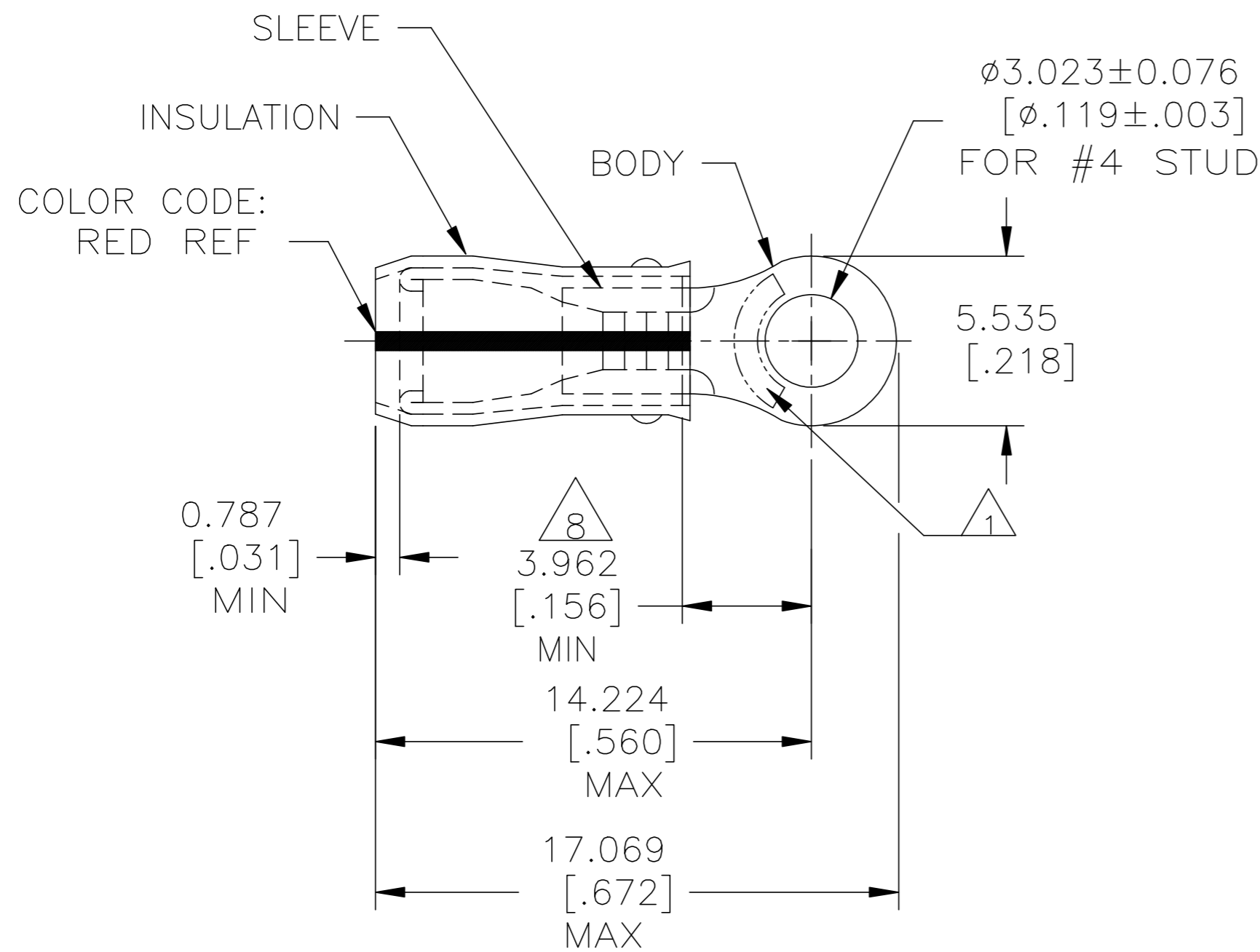


| P | LTR | DESCRIPTION               | DATE      | DWN | APVD |
|---|-----|---------------------------|-----------|-----|------|
| P |     | REVISED PER ECR-24-207629 | 15MAY2024 | SA  | DSC  |



- 1 STAMP AMP 22-18\* APPROX AS SHOWN  
22-16 TERMINALS ARE STAMPED 22-18 IN ACCORDANCE WITH MILITARY SPEC SAE AS7928  
COMMERCIAL WIRE RANGE IS 22-16.
- 2 WIRE INSULATION:  $\phi 2.032-3.175[\phi .080-.125]$
- 3 BODY MATERIAL THK:  $0.787\pm 0.051[.031\pm .002]$
- 4 TIN/LEAD (93-7) PLATE PER ASTM B545.  
(3% MIN LEAD CONTENT).
- 5 NOTE DELETED.
- 6 NOTE DELETED.
- 7 MATERIAL: BODY & SLEEVE- CU PER ASTM B152  
INSULATION - PVF2, COLOR - NATURAL
- 8 DIMENSION APPLIES FROM EDGE OF METAL WIRE BARREL TO CENTER OF STUD HOLE.

|   |      |              |          |
|---|------|--------------|----------|
| M7928/4-148, CLASS 1<br>M7928/13-148, CLASS 1 | 1000 | LOOSE PIECE  | 53405-1  |
| MILITARY P/N & CLASS                          | QTY  | PACKAGE TYPE | PART NO. |

|  |  |   |  |   |                              |                  |                 |                    |               |       |
|--|--|---|--|---|------------------------------|------------------|-----------------|--------------------|---------------|-------|
| AMP INCORPORATED<br>CUSTOMER SERVICE SYSTEMS                                     |  | MAX RECOMMENDED OPERATING TEMPERATURE:<br>150°C[302°F] MAX  | THIS DRAWING IS A CONTROLLED DOCUMENT. |   | DWN DK SCHRUM 06/16/93       |                  |                 |                    |               |       |
| FOR ADDITIONAL PRODUCT INFORMATION OR COPIES OF DRAWINGS AND TECHNICAL DOCUMENTS | PRODUCT INFORMATION CENTER<br>1-800-522-6752 | VOLTAGE RATING:<br>N/A  | DIMENSIONS:<br>mm [INCHES]             | TOLERANCES UNLESS OTHERWISE SPECIFIED:<br>0 PLC ± -<br>1 PLC ± -<br>2 PLC ± -<br>3 PLC ± 0.127[.005]<br>4 PLC ± -<br>ANGLES ± - | CHK RE HERSEY 7/6/93         |                  |                 | NAME<br>M BARNABA  |               |       |
| FOR APPLICATION TOOLING INFORMATION  | TOOLING ASSISTANCE CENTER<br>1-800-722-1111  | CIRCULAR MIL AREA:<br>0.26-1.65mm² [509-3260] STRANDED  |  |   | APVD M BARNABA 7/6/93        | PRODUCT SPEC     |                 |                    |               |       |
| FOR ORDER ENTRY  | 1-800-526-5142                               | THIS DRAWING IS A CONTROLLED DOCUMENT FOR AMP INCORPORATED. IT IS SUBJECT TO CHANGE AND THE CONTROLLING ENGINEERING ORGANIZATION SHOULD BE CONTACTED FOR THE LATEST REVISION. | MATERIAL                               | FINISH  | APPLICATION SPEC<br>114-2157 | SIZE A3          | CAGE CODE 00779 | DRAWING NO C=53405 | RESTRICTED TO |       |
|  |  |   | 7                                      | 4   | WEIGHT -                     | CUSTOMER DRAWING |                 | SCALE 4:1          | SHEET 1 OF 1  | REV P |