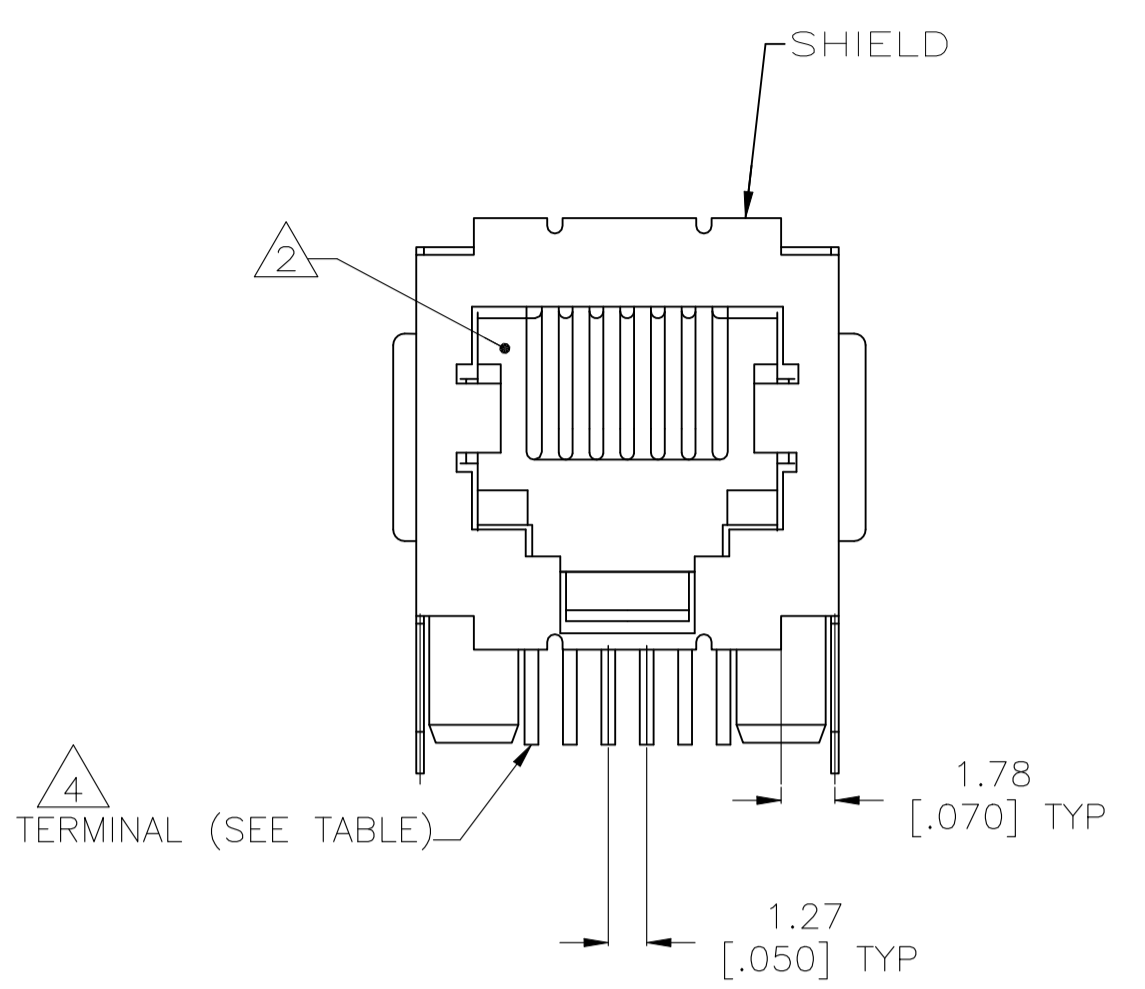
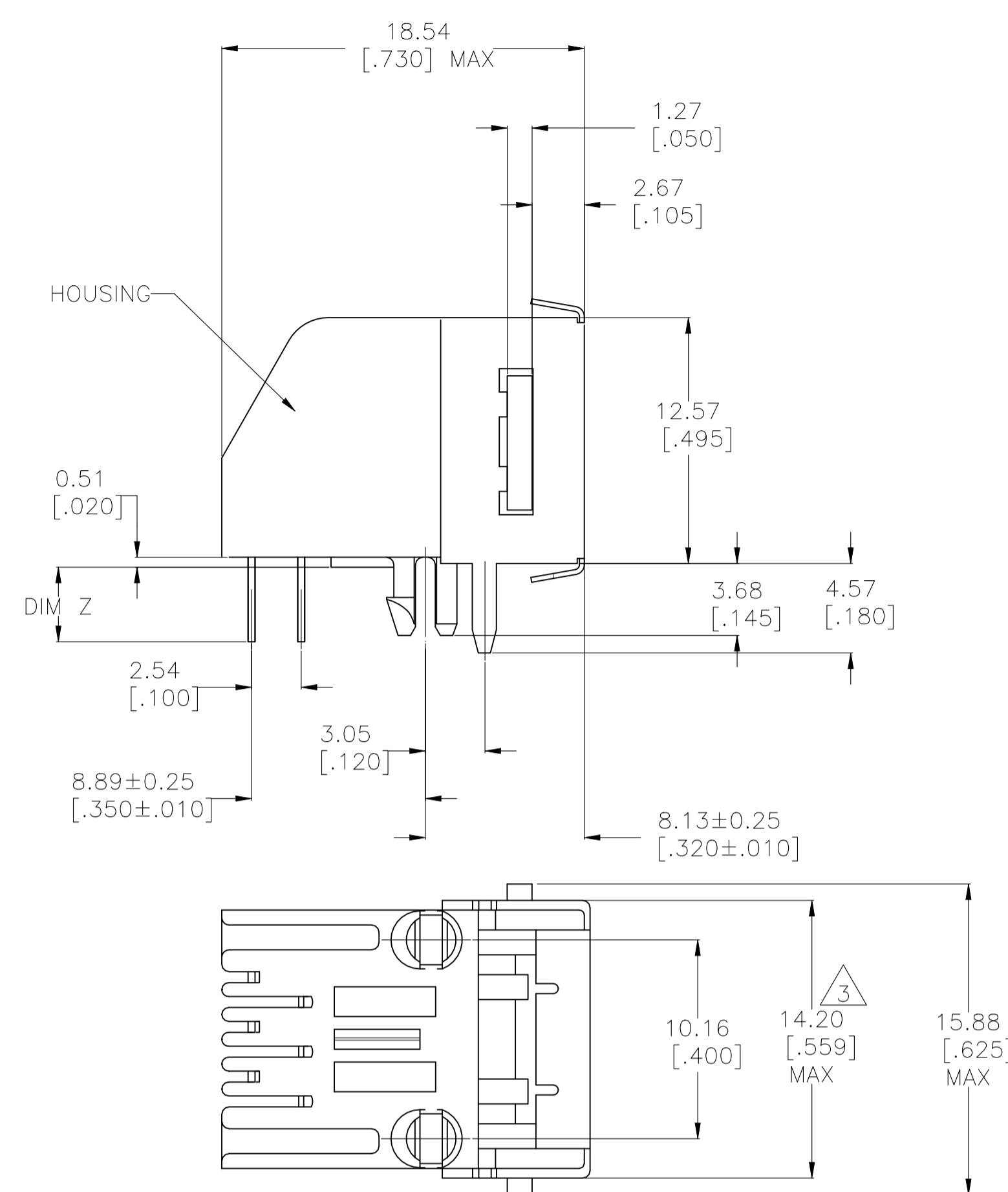
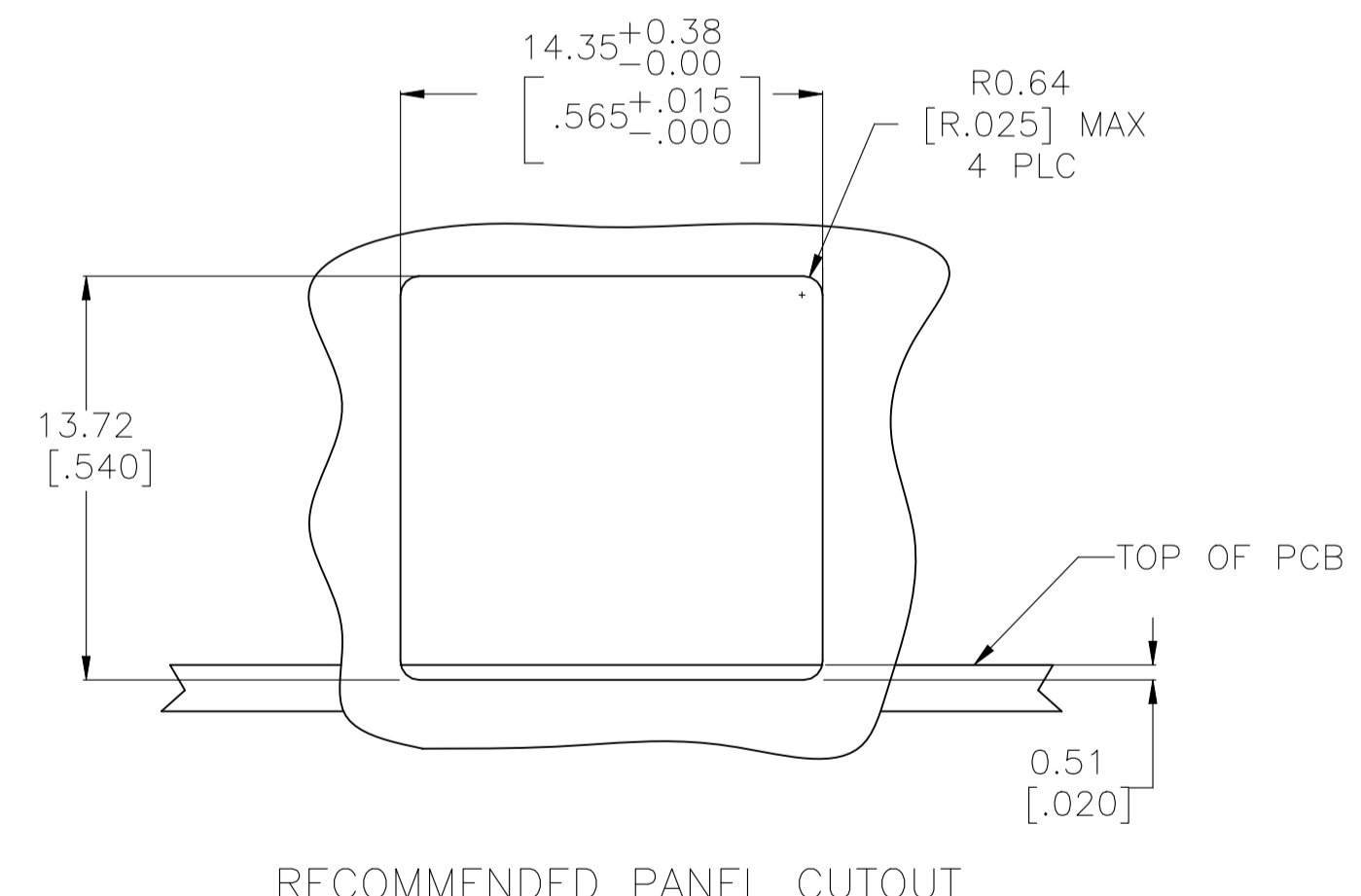
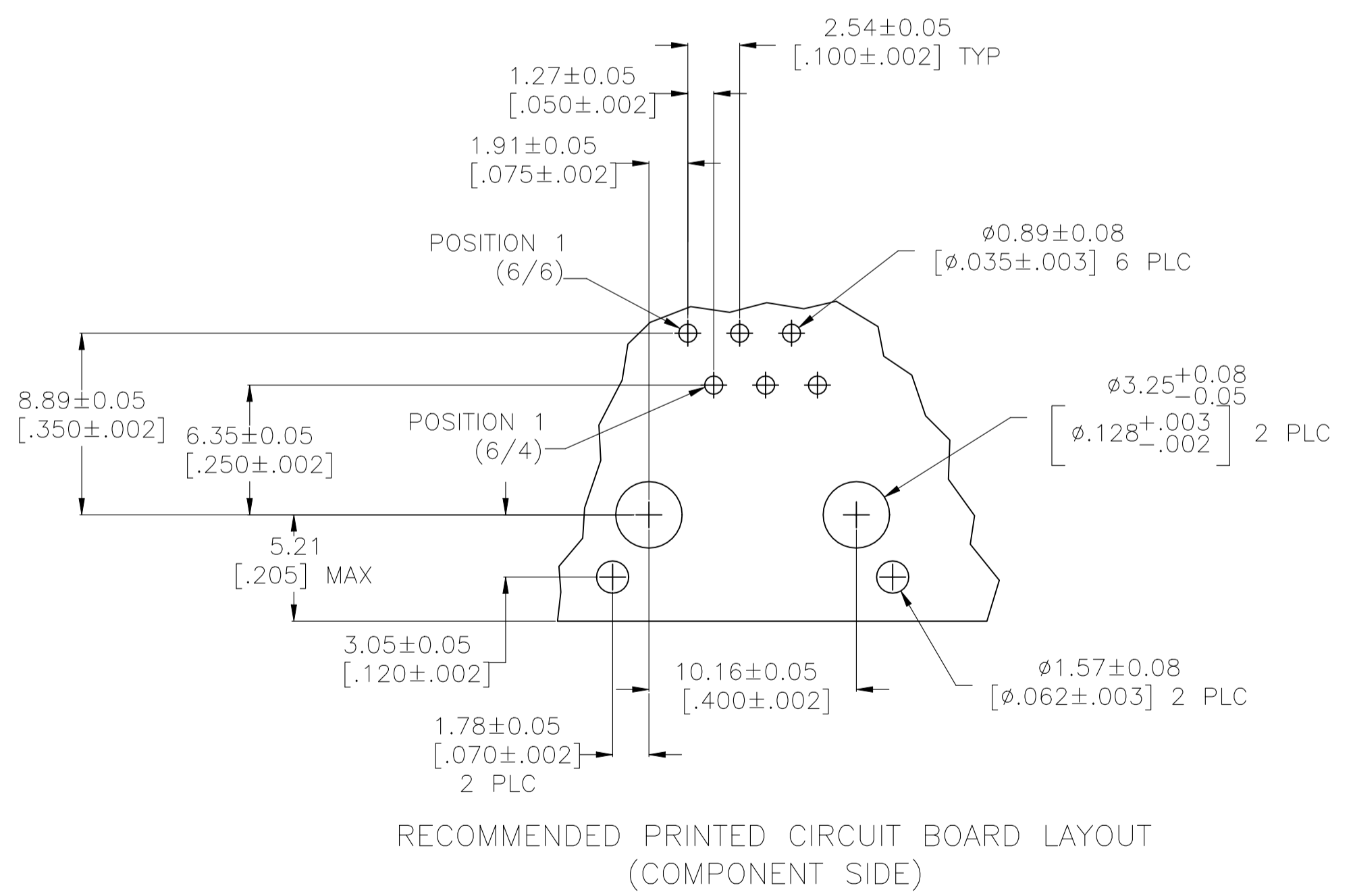


REVISIONS					
REV	DESCRIPTION	DATE	BY	APP'D	
E2	REVISED PER ECR-22-135781 (VIEW UPDATE)	12APR2022	RR	SZ	



- 1 MATERIAL: HOUSING – PBT POLYESTER, COLOR: BLACK.
TERMINAL – 0.36[.014] THICK PHOS-BRONZE PLATED WITH 1.27μm[.000050] MINIMUM THICK HARD GOLD IN LOCALIZED GOLD PLATE AREA AND 3.81μm[.000150] THICK MATTE TIN IN SOLDER AREA OVER 1.27μm[.000050] MINIMUM THICK NICKEL UNDERPLATE.
SHIELD – 0.25[.010] THICK COPPER ALLOY PLATED WITH 3.0μm[.000120] MINIMUM REFLOWED TIN
- △ CAVITY CONFORMS TO FCC RULES AND REGULATIONS PART 68, SUBPART F.
- △ DIMENSIONS MEASURED ALONG FRONT EDGES OF MATING FACE
- △ TERMINALS FOR 5555140-2 LOCATED IN CENTER POSITIONS.



TUBE	TRAY	PACKAGING	DIMENSION Z	TERMINALS REQUIRED	PART NUMBER
3.81±0.51 [.150±.020]	2.54±0.25 [.100±.010]				5555140-6
	3.81±0.51 [.150±.020]				5555140-4
	3.81±0.51 [.150±.020]				5555140-2
	3.81±0.51 [.150±.020]				5555140-1

THIS DRAWING IS A CONTROLLED DOCUMENT.		DIN L.A.MAYER 08NOV2007		TE Connectivity	
DIMENSIONS: mm [INCHES]		TOLERANCES UNLESS OTHERWISE SPECIFIED:		NAME: MODULAR JACK ASSEMBLY, SHIELDED, 6P, LOW PROFILE, R/A, PANEL GROUND,W/PANEL STOP	
0 PLC ± -		1 PLC ± -		SIZE: A1	
2 PLC ± ± 0.13[.005]		3 PLC ± ± -		CAGE CODE: 00779	
4 PLC ± ± -		ANGLES ± ± -		DRAWING NO: 5555140	
MATERIAL: SEE NOTE 1		FINISH: SEE NOTE 1		WEIGHT: 0.000000	
				CUSTOMER DRAWING	
				SCALE: 4:1	
				SHEET 1 of 1	
				REV E2	