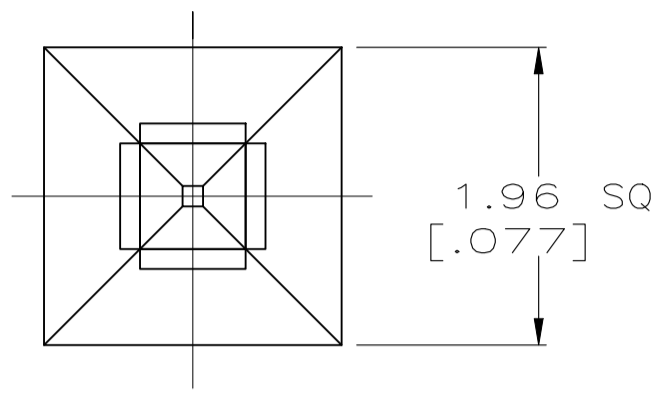
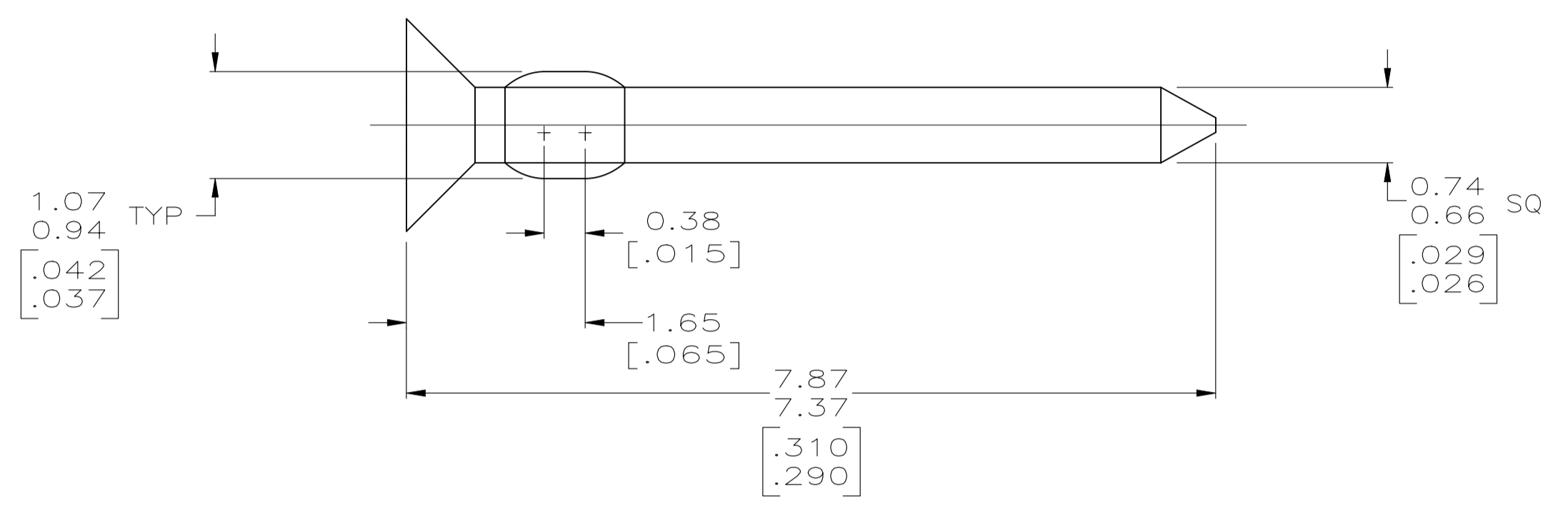
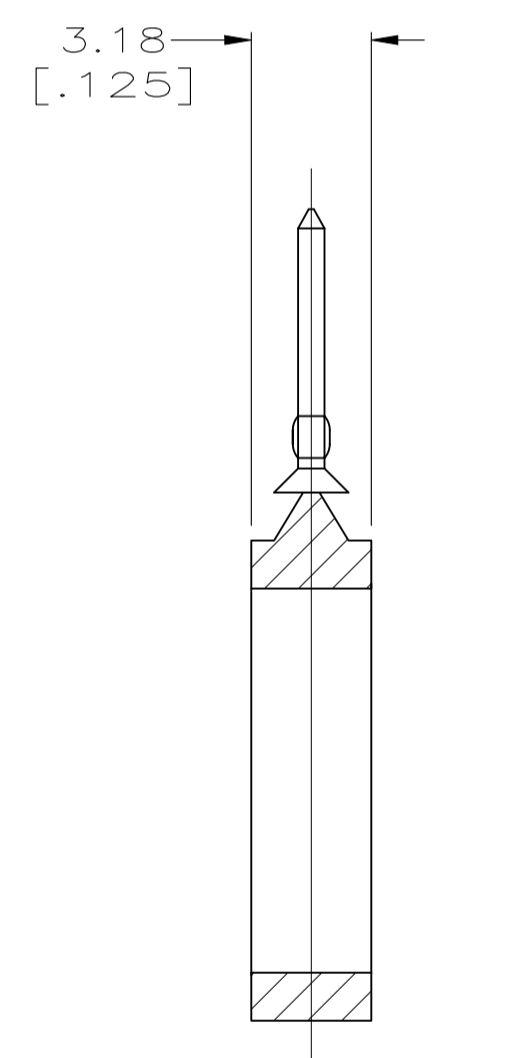


REVISIONS				
REV	DATE	DESCRIPTION	BY	APP'D
E	06FEB2025	REVISED PER ECR-24-230897	DK	JP

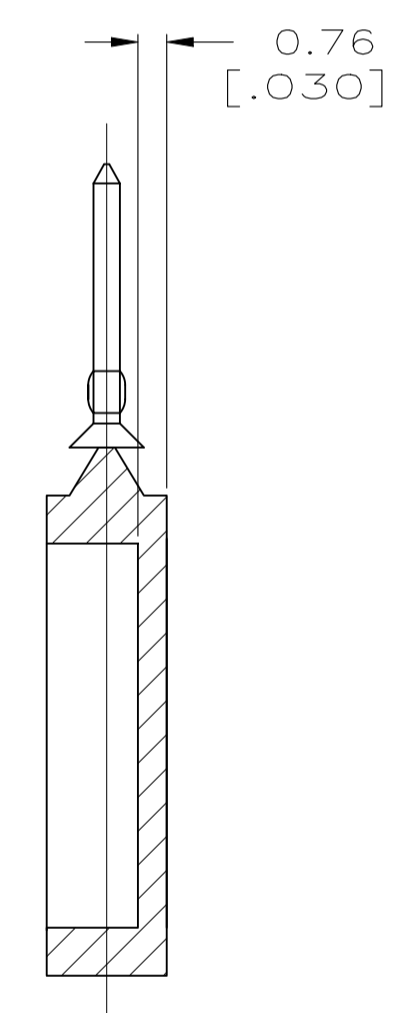
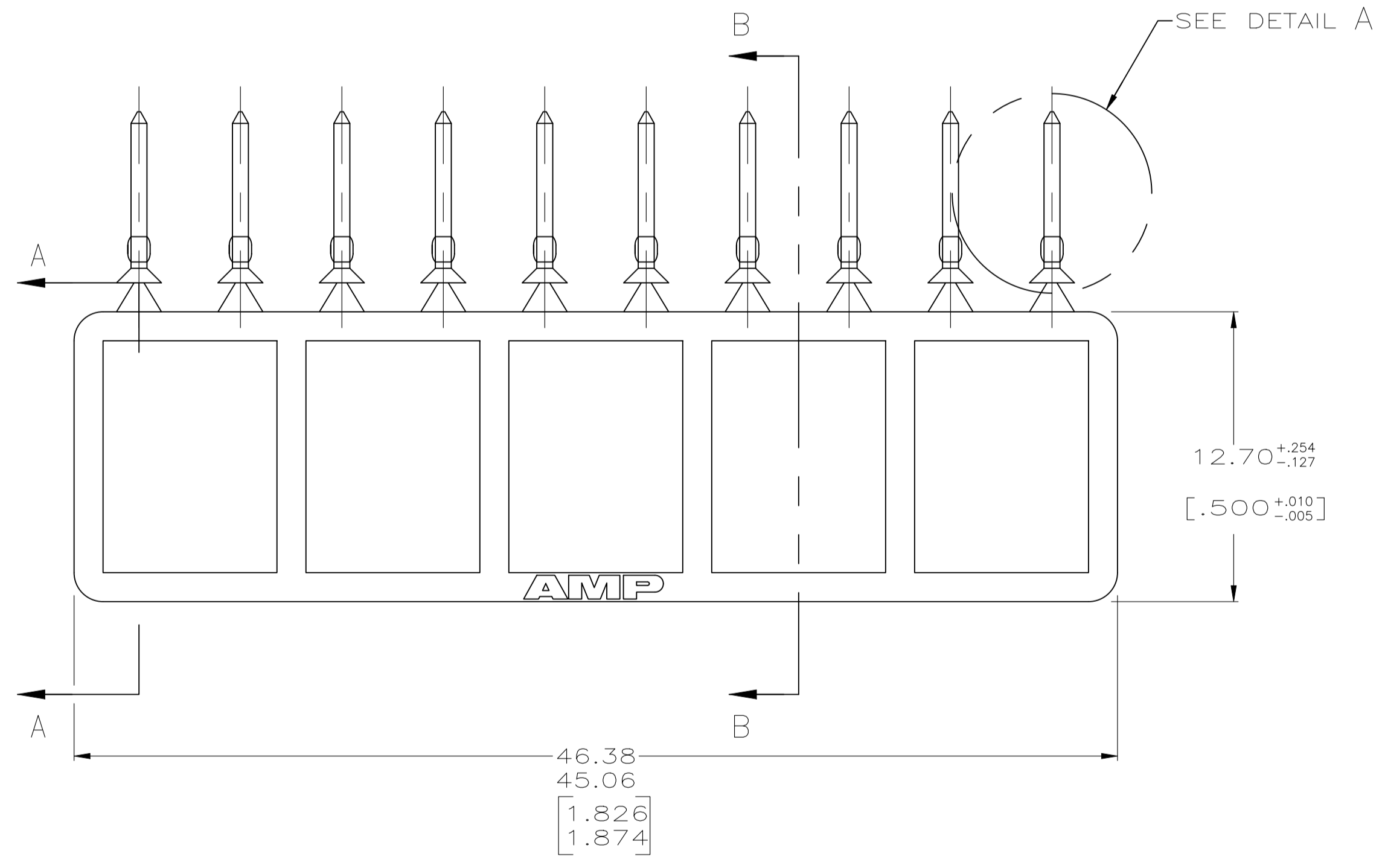
1. DIMENSIONS IN BRACKETS ARE IN INCHES.
2. NOTE ONE STRIP IS ORDERED AS 10 PIECES OF 641994-1.
3. MISALIGNMENT OF KEYING PLUGS ON CARRIER STRIP IS ALLOWABLE. KEYING PLUGS MUST REMAIN ATTACHED TO CARRIER.



DETAIL A
SCALE 20:1
ROTATED 90° CW



SECTION A-A



SECTION B-B
OPTIONAL CONSTRUCTION
2 PLC

641994-1
PART NUMBER

METRIC

THIS DRAWING IS A CONTROLLED DOCUMENT.		DIN D_Z 28JAN2016	STE TE Connectivity	
DIMENSIONS: mm [INCHES]		CHK D_Z 28JAN2016	NAME KEYING PLUG WITH CARRIER STRIP, MTA 100	
TOLERANCES UNLESS OTHERWISE SPECIFIED:		APP'D P_Q 28JAN2016	PRODUCT SPEC	
0. PLC	± -	APPLICATION SPEC		
1. PLC	± -	SIZE CAGE CODE DRAWING NO		
2. PLC	± -	WEIGHT 0.000000 A1 00779 C=641994		
3. PLC	± 0.13 [.005]	CUSTOMER DRAWING		
4. PLC	± -	SCALE 5:1 SHEET 1 of 1 REV E		
ANGLES	± ± -			
MATERIAL NYLON, 6/6	FINISH -			