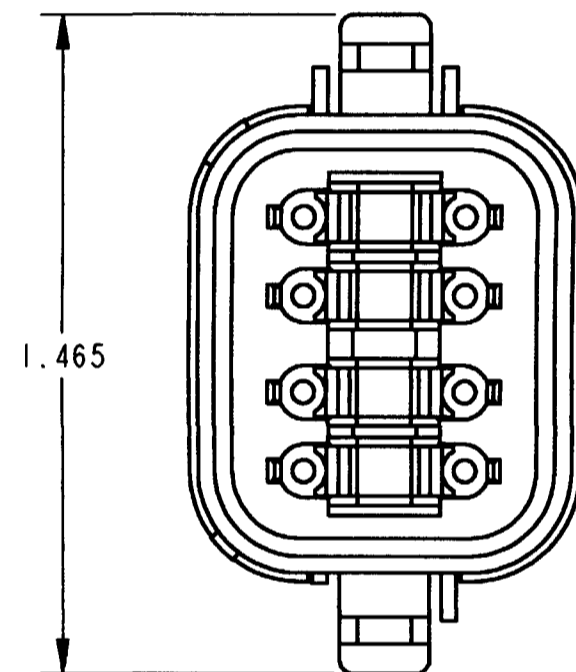
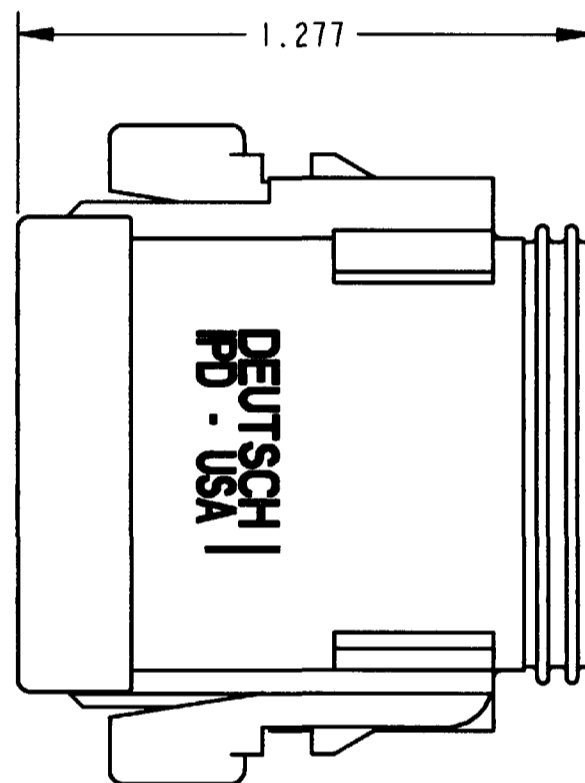
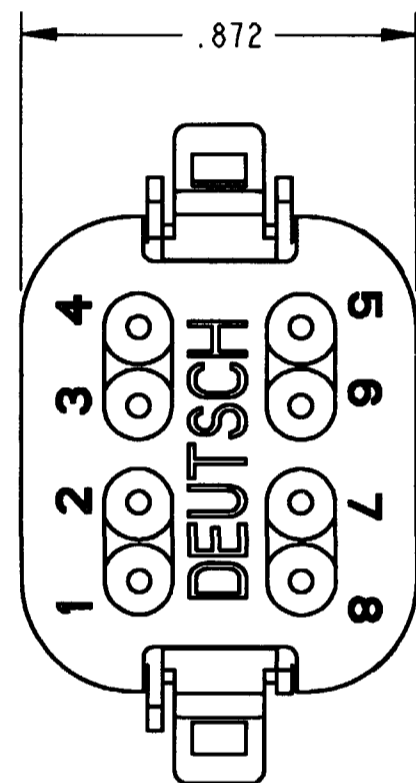


REV
A DT06-08SA-E003

REVISIONS			
SYM	DESCRIPTION	DATE	APPROVED
NC	NEW RELEASE PER E.O. A09342	9/6/90	J.A.
A	REVISED/REDRAWN PER E.O. P17559	1-9-02	<i>[Signature]</i>



CONTACT SIZE	MIN. INSUL. O.D.	MAX. INSUL. O.D.	WIRE RANGE [mm ²] REF ONLY ³
16	.088 [2.24]	.145 [3.68]	14-20 AWG. [2.0 - 0.5]

4. THIS PLUG MATES WITH THE DT04-08PA-**** (****= ALL MODIFICATIONS). CONSULT FACTORY FOR MODIFICATIONS.

³ FOR CONTACTS AND WIRE PERFORMANCE AND APPLICATION CHARACTERISTICS, SEE ENVELOPE DRAWINGS 0425-015-0000 AND 0425-017-0000.

2. ALL DIMENSIONS ARE ±.025[.64] UNLESS OTHERWISE SPECIFIED.

NOTES: 1. ALL DIMENSIONS ARE IN INCHES [MILLIMETERS].

SIGNATURE & DATE	
DR	X. SANCHEZ 05OCT01
CHK	<i>[Signature]</i> 1/3/02
PE	<i>[Signature]</i> 1/3/02
APPD	<i>[Signature]</i> 1-9-02
SCALE	NONE WT _____

8 WAY PLUG
COLOR: GREY
-E003 MOD.
DT SERIES

ENVELOPE

CP	MATL CODE
The Deutsch Company DEUTSCH I.P.D. 3850 INDUSTRIAL AVE. HEMET, CALIF. 92545	
B	DT06-08SA-E003
DWG SIZE 11139	SHEET OF