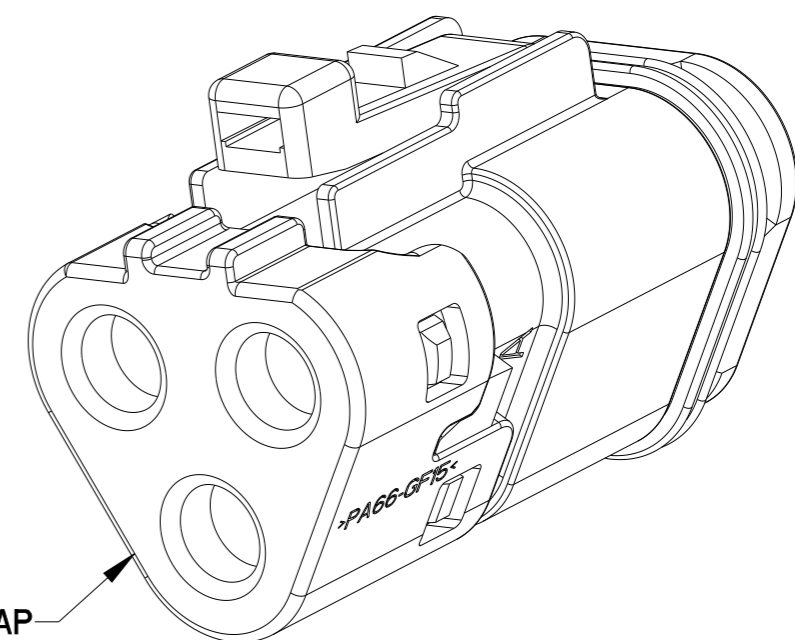
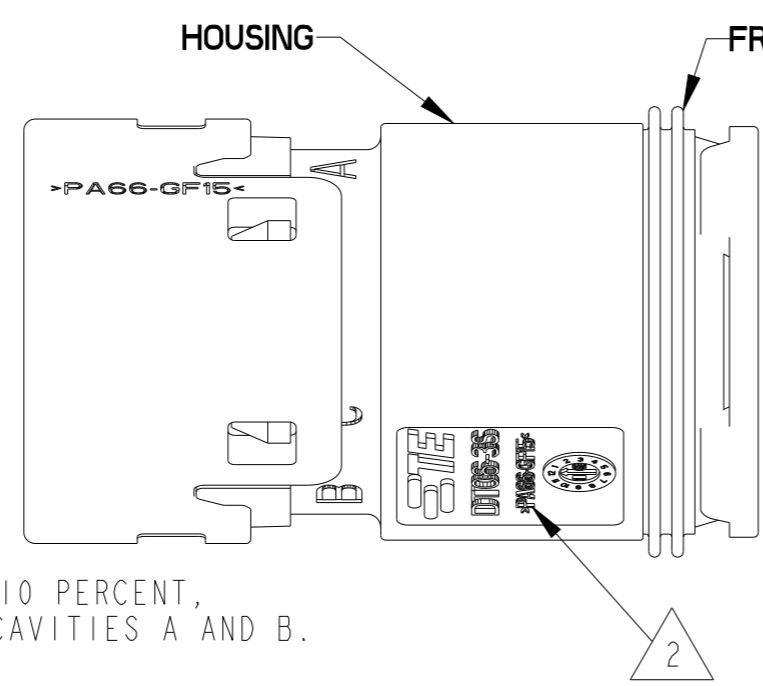
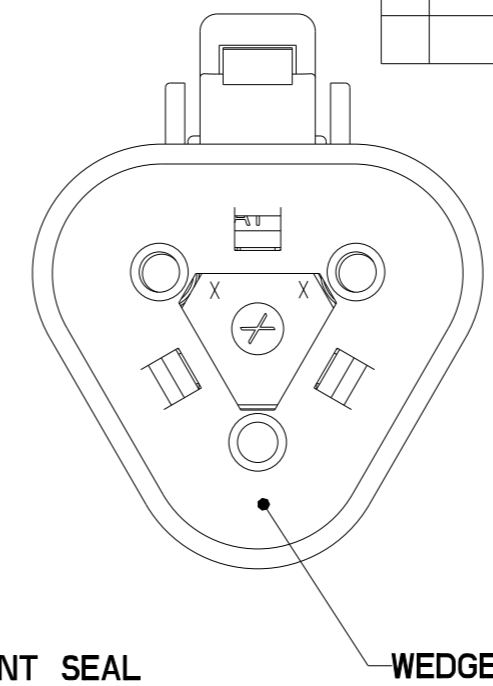
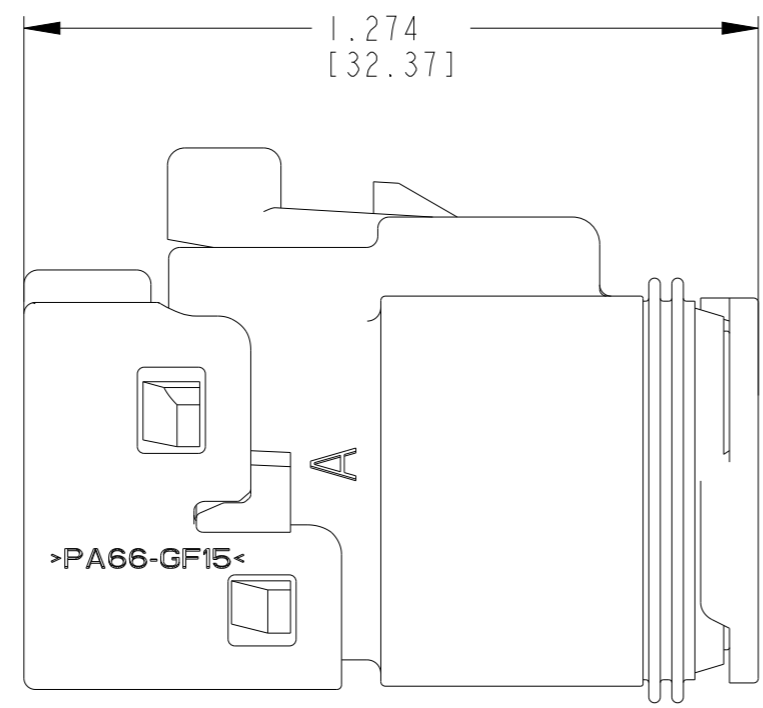
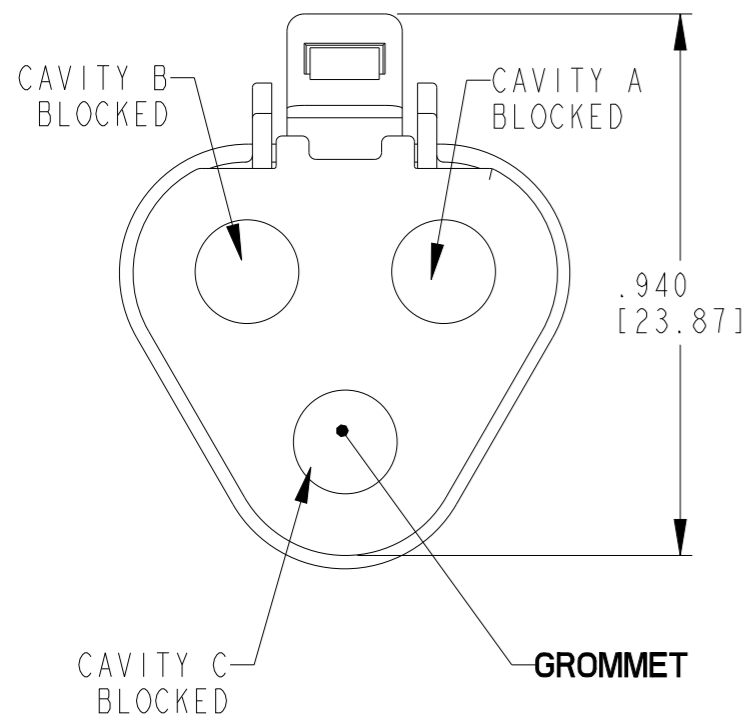


REVISIONS

P	LTR	DESCRIPTION	DATE	DWN	APVD
	A	REVISED PER E.O. P16093	5/14/99	-	RDR
	D	REVISED PER PCN-24-210155	19APR2024	PS	CB



- 4 RESISTOR CHARACTERISTICS: 120 OHMS±10 PERCENT, .4 WATTS MINIMUM INSERTED INTO THE CAVITIES A AND B.
- 3 THIS CONNECTOR CAN PASS THRU A ONE INCH [25.44] HOLE.

2 MATERIAL: HOUSING/CAP: PA66 GF15 (BLACK)
 GROMMET: VMQ (RED-ORANGE)
 FRONT SEAL: VMQ (RED-ORANGE)
 WEDGE LOCK: PBT GF30 (BLUE)
 SOCKET TERMINAL: COPPER ALLOY; GOLD PLATED

1 THIS PLUG MATES WITH THE DT04-3P-XXXX RECEPTACLE.
 (XXXX = J1939 MODIFICATIONS.)
 CONSULT FACTORY FOR MODIFICATIONS.
 SECONDARY WEDGE LOCK W3S-1939-P012 IS KEYED AND INCLUDED TO PREVENT MISMATING AND MAY MATE WITH ALL 3 WAY DT SERIES RECEPTACLES.

NOTES:

TE INTERNAL PN	DEUTSCH PN
DT06-3S-PP01	DT06-3S-PP01

THIS DRAWING IS A CONTROLLED DOCUMENT.		DWN	S.THEIS	08NOV1998	 TE Connectivity	NAME 3 WAY PLUG WITH TERMINATING RESISTOR DT SERIES, PP01 MOD	RESTRICTED TO
DIMENSIONS: in [mm]		CHK	S.THEIS	12MAY1999			
TOLERANCES UNLESS OTHERWISE SPECIFIED:		APVD	R.READ	14MAY1999			
0 PLC ± 1 PLC ± 2 PLC ± 3 PLC ±.025 [0.64] 4 PLC ± ANGLES ±°		PRODUCT SPEC	108-151009				
MATERIAL	2	FINISH	APPLICATION SPEC		0425-017-0000	SIZE	A3
		WEIGHT		5.89g		CAGE CODE	4AFU8
		CUSTOMER DRAWING		SCALE		3:1	
				SHEET		1 OF 1	
				REV		D	