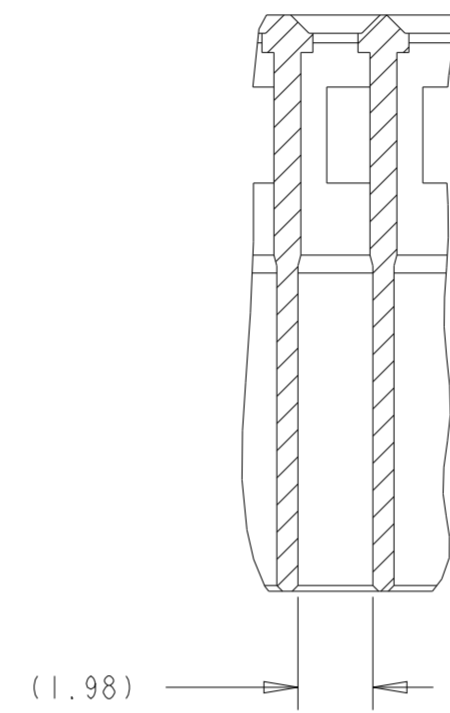
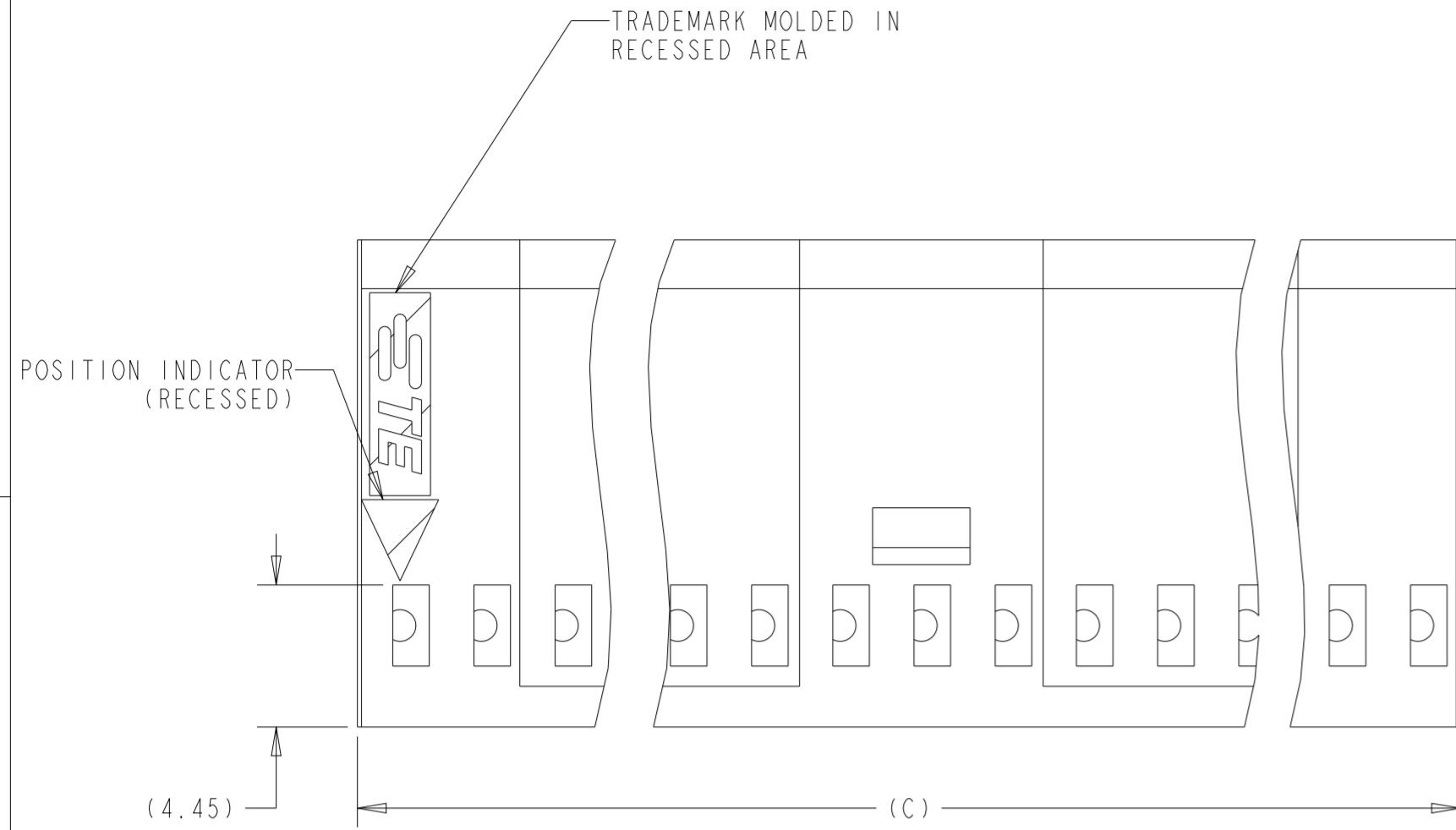
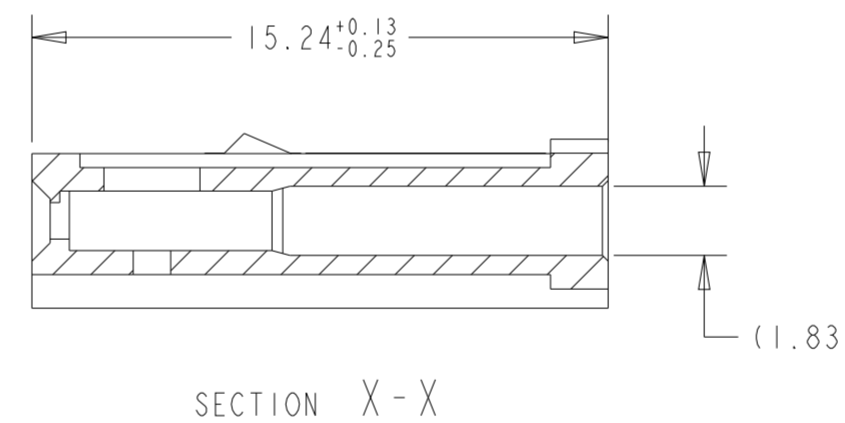
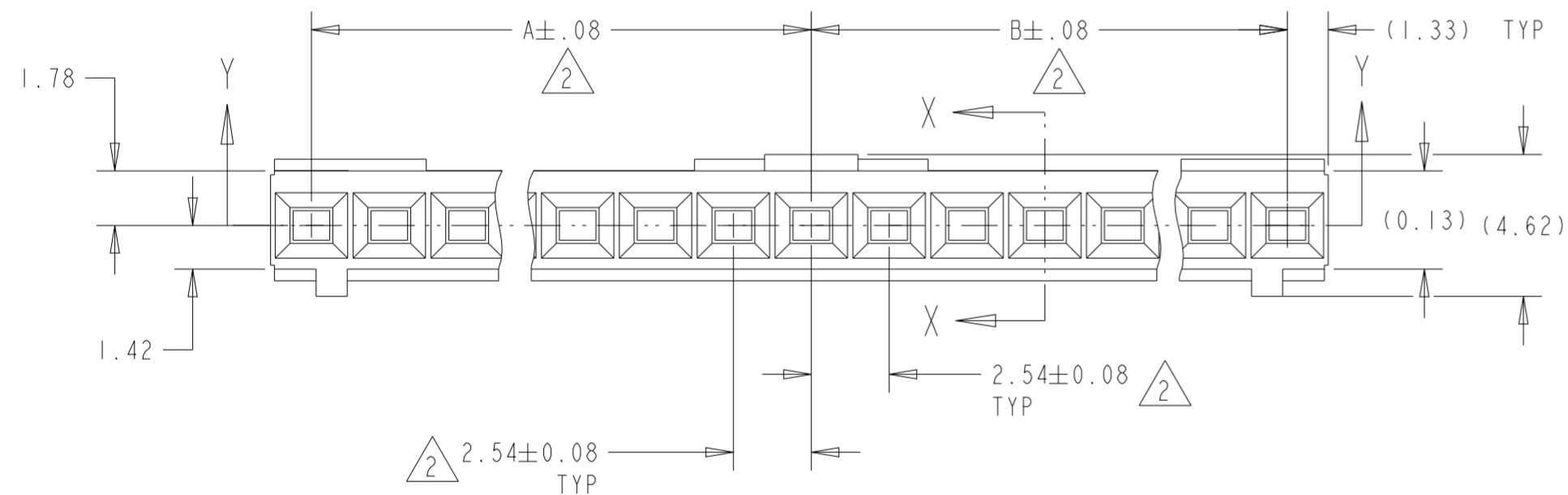


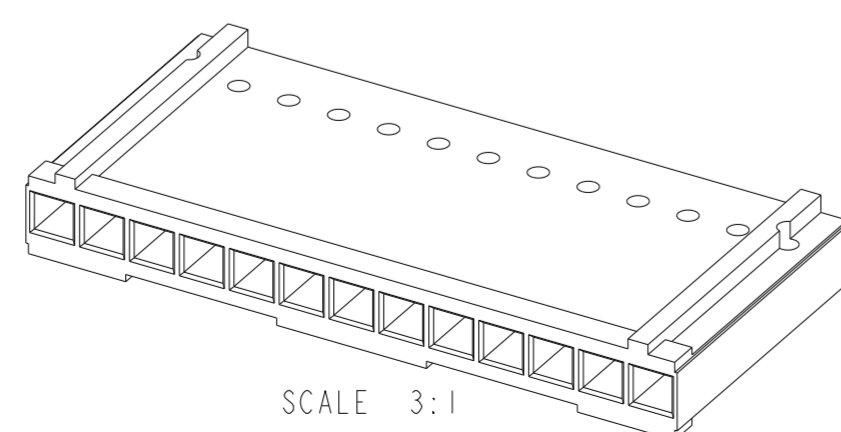
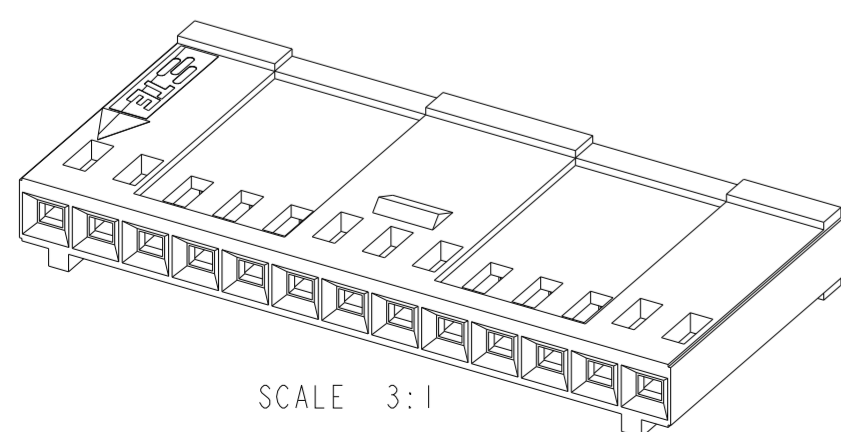
P	LTR	DESCRIPTION	DATE	DWN	APVD
N3		REVISED PER ECO-11-004587	11MAR11	RK	HMR
P		REVISED PER ECR-22-137476	23AUG2022	RK	SD



- 1. GLASS FILLED THERMOPLASTIC, UL 94-V0 RATED, COLOR:BLACK
- 2. CAVITY LOCATION DIMENSIONS INCREASE IN INCREMENTS OF 2.54mm TOLERANCE NON-CUMULATIVE
- 3. USE EXTRACTION TOOL 91052-1 TO REMOVE RECEPTACLE CONTACTS
- 4. NOTE DELETED.
- 5. THE PRODUCT IS IN PROCESS FOR UL RECOGNITION.
- 6. THE PRODUCT IS NOT YET QUALIFIED AND IS IN PROCESS.



91.44	43.18	45.72	36	3-102241-4
88.90	43.18	43.18	35	3-102241-3
86.36	40.64	43.18	34	3-102241-2
83.82	40.64	40.64	33	3-102241-1
81.28	38.10	40.64	32	3-102241-0
78.74	38.10	38.10	31	2-102241-9
76.20	35.56	38.10	30	2-102241-8
73.66	35.56	35.56	29	2-102241-7
71.12	33.02	35.56	28	2-102241-6
68.58	33.02	33.02	27	2-102241-5
66.04	30.48	33.02	26	2-102241-4
63.50	30.48	30.48	25	2-102241-3
60.96	27.94	30.48	24	2-102241-2
58.42	27.94	27.94	23	2-102241-1
55.88	25.40	27.94	22	2-102241-0
53.34	25.40	25.40	21	1-102241-9
50.80	22.86	25.40	20	1-102241-8
48.26	22.86	22.86	19	1-102241-7
45.72	20.32	22.86	18	1-102241-6
43.18	20.32	20.32	17	1-102241-5
40.64	17.78	20.32	16	1-102241-4
38.10	17.78	17.78	15	1-102241-3
35.56	15.24	17.78	14	1-102241-2
33.02	15.24	15.24	13	1-102241-1
30.48	12.70	15.24	12	1-102241-0
27.94	12.70	12.70	11	102241-9
25.40	10.16	12.70	10	102241-8
22.86	10.16	10.16	9	102241-7
20.32	7.62	10.16	8	102241-6
17.78	7.62	7.62	7	102241-5
15.24	5.08	7.62	6	102241-4
12.70	5.08	5.08	5	102241-3
10.16	2.54	5.08	4	102241-2
7.62	2.54	2.54	3	102241-1
C	B	A	NO OF POS	PART NUMBER



THIS DRAWING IS A CONTROLLED DOCUMENT.

DWN: D FABLAN 8-2-78  
CHK: B WOLFE 10-27-78

APVD: -

PRODUCT SPEC: -

APPLICATION SPEC: -

WEIGHT: -

CUSTOMER DRAWING

NAME: CONN HOUSING, CRIMP SNAP-IN MOD IV, SINGLE ROW, .100 CENTERS, WITH POLARIZATION AND DETENTS

SIZE: A2 CAGE CODE: 00779 DRAWING NO: C-102241 RESTRICTED TO: -

SCALE: 5:1 SHEET: 1 OF 1 REV: P