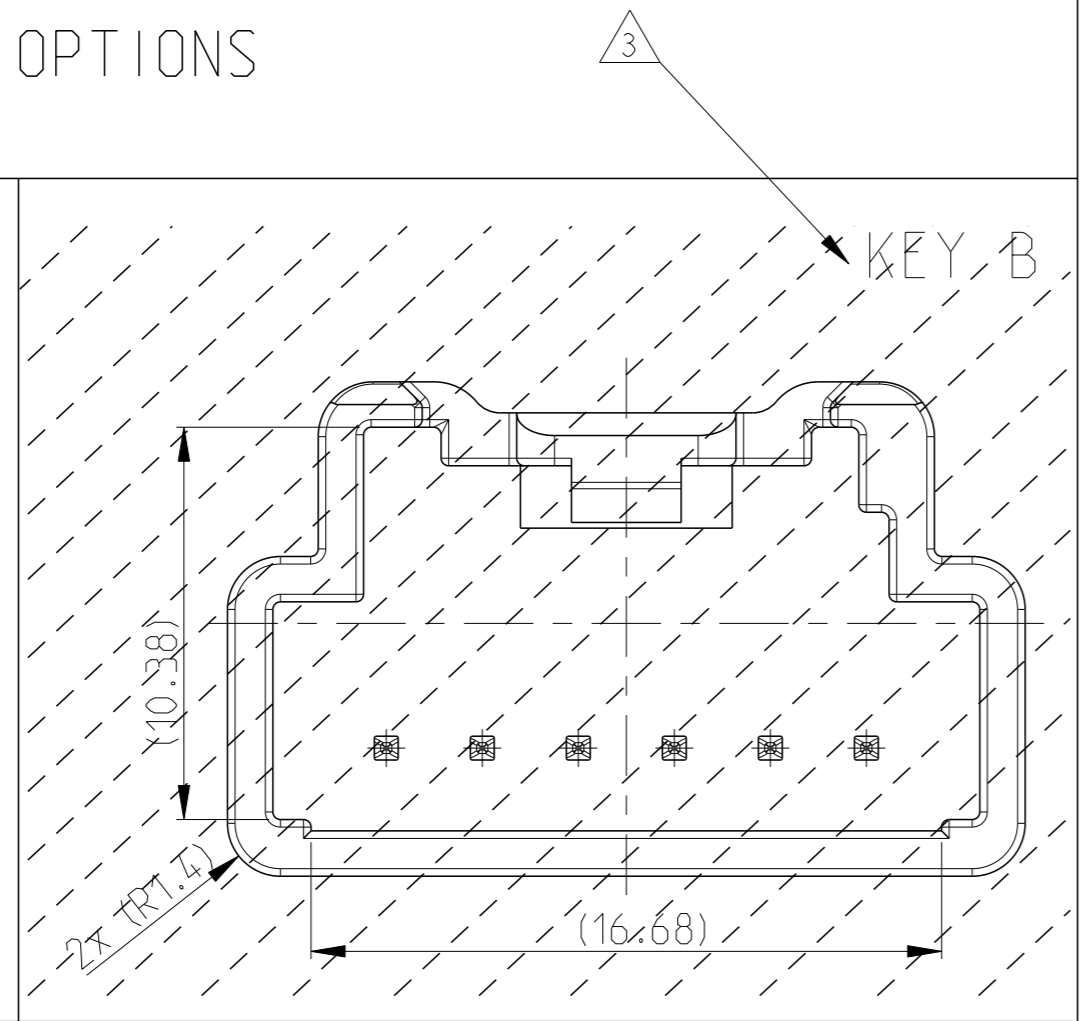
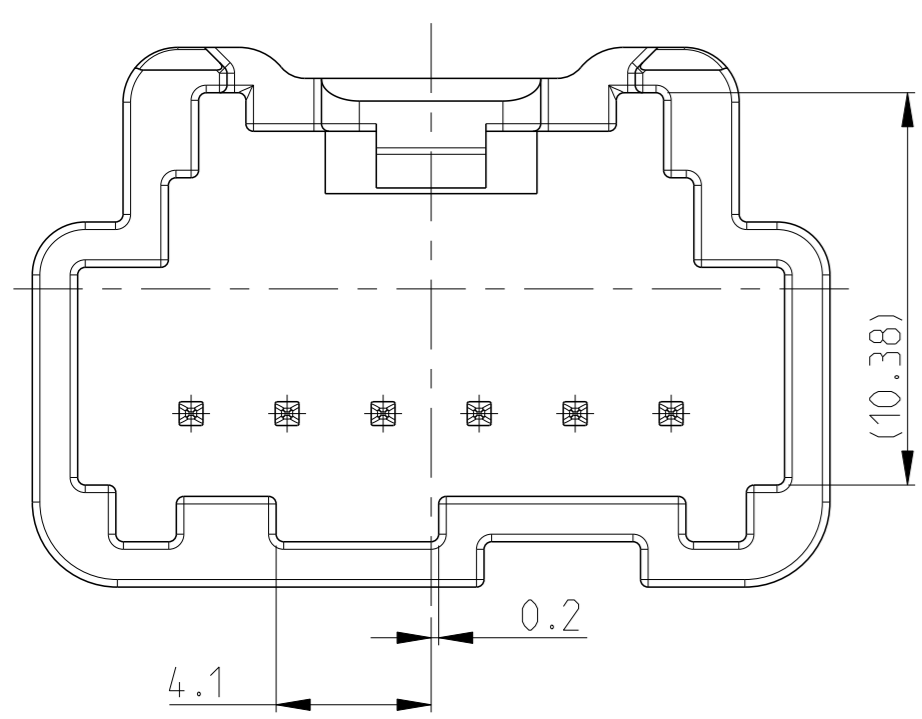


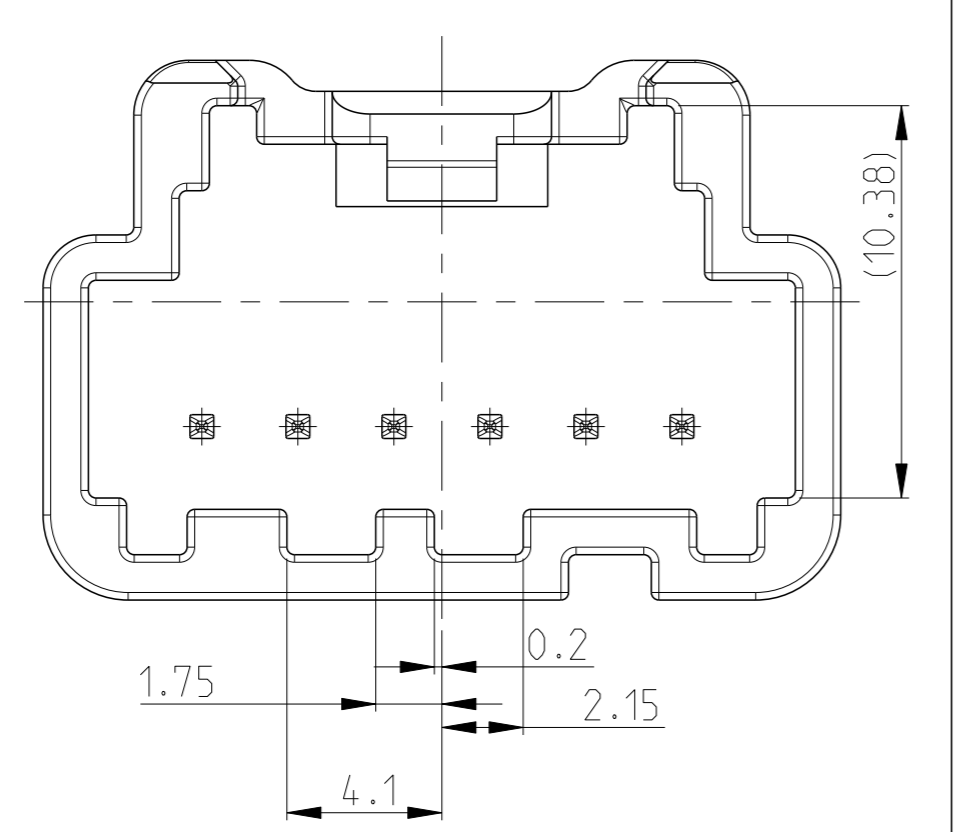
KEYING OPTIONS



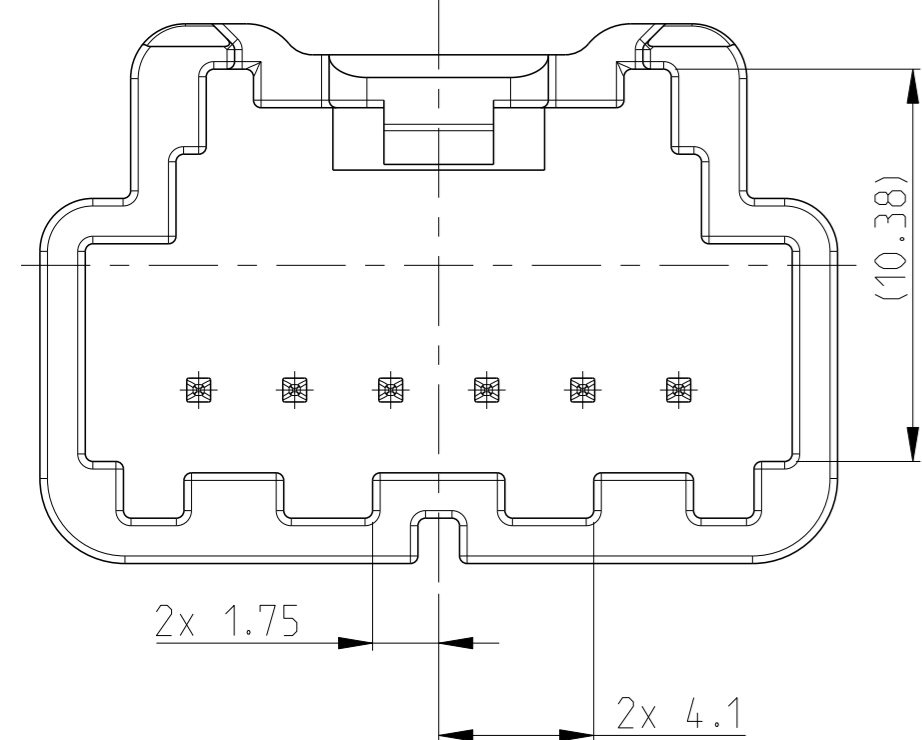
KEY C



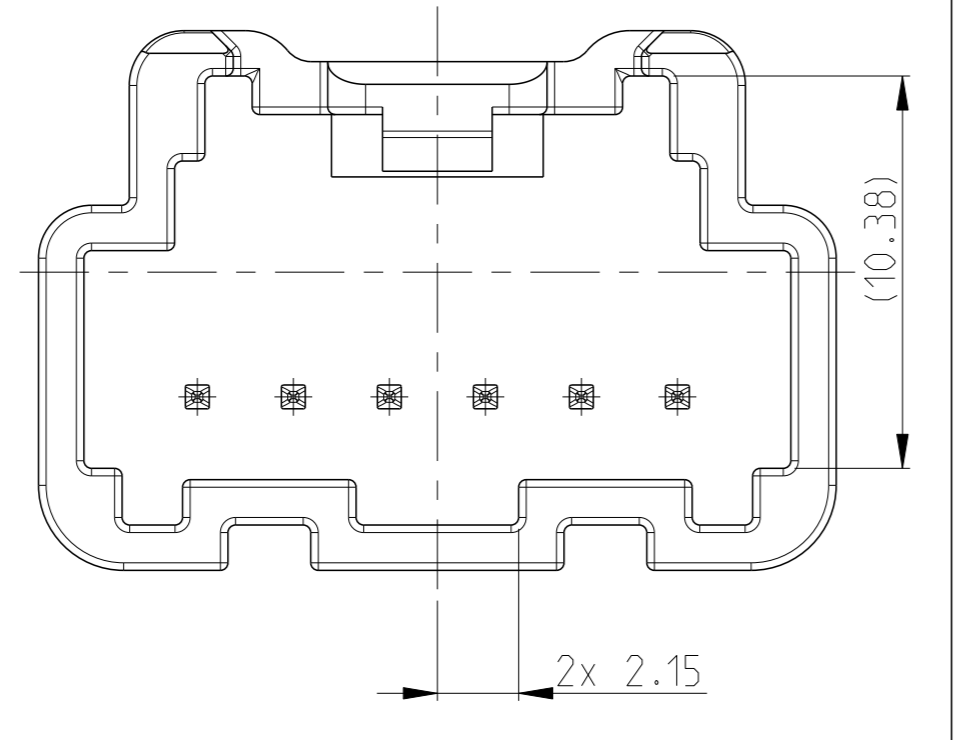
KEY D



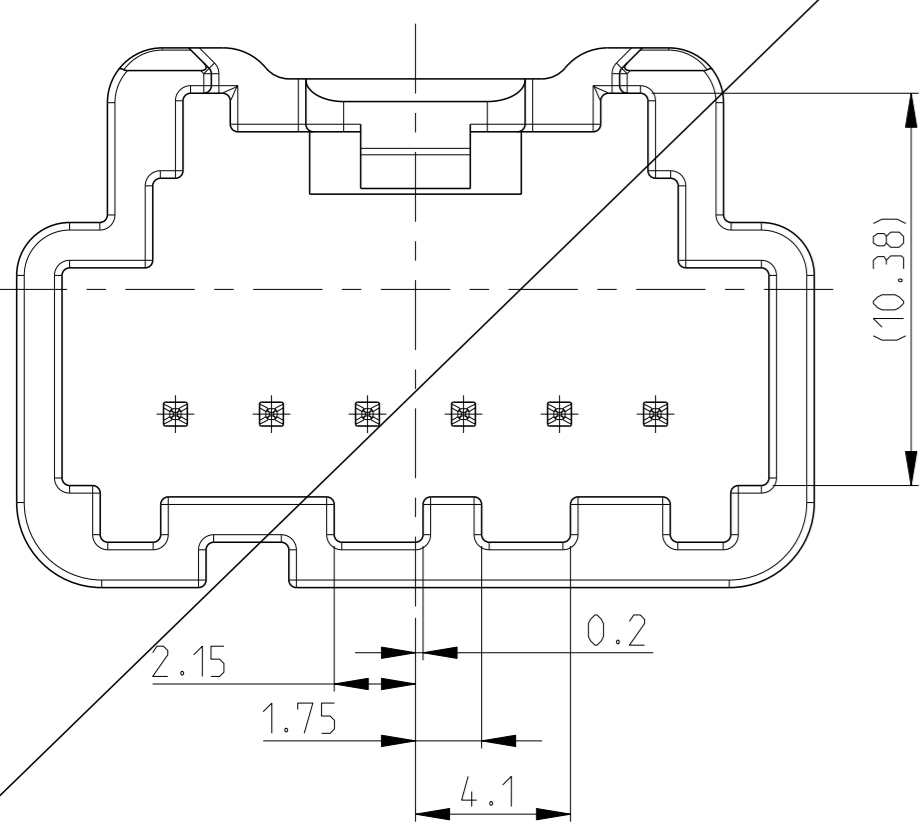
KEY E



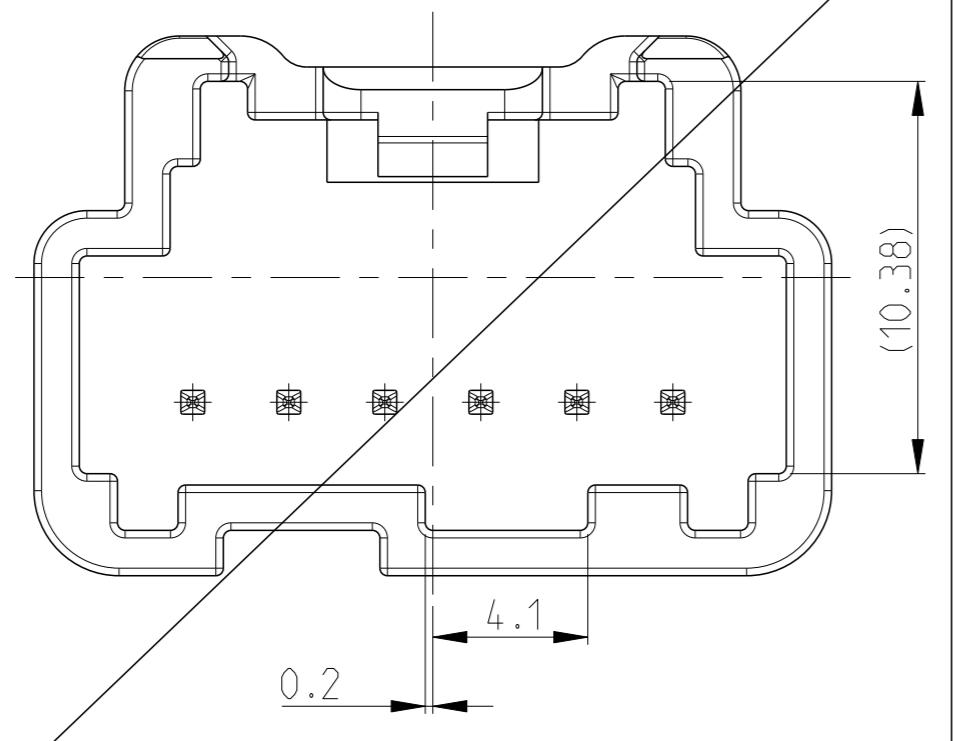
KEY F



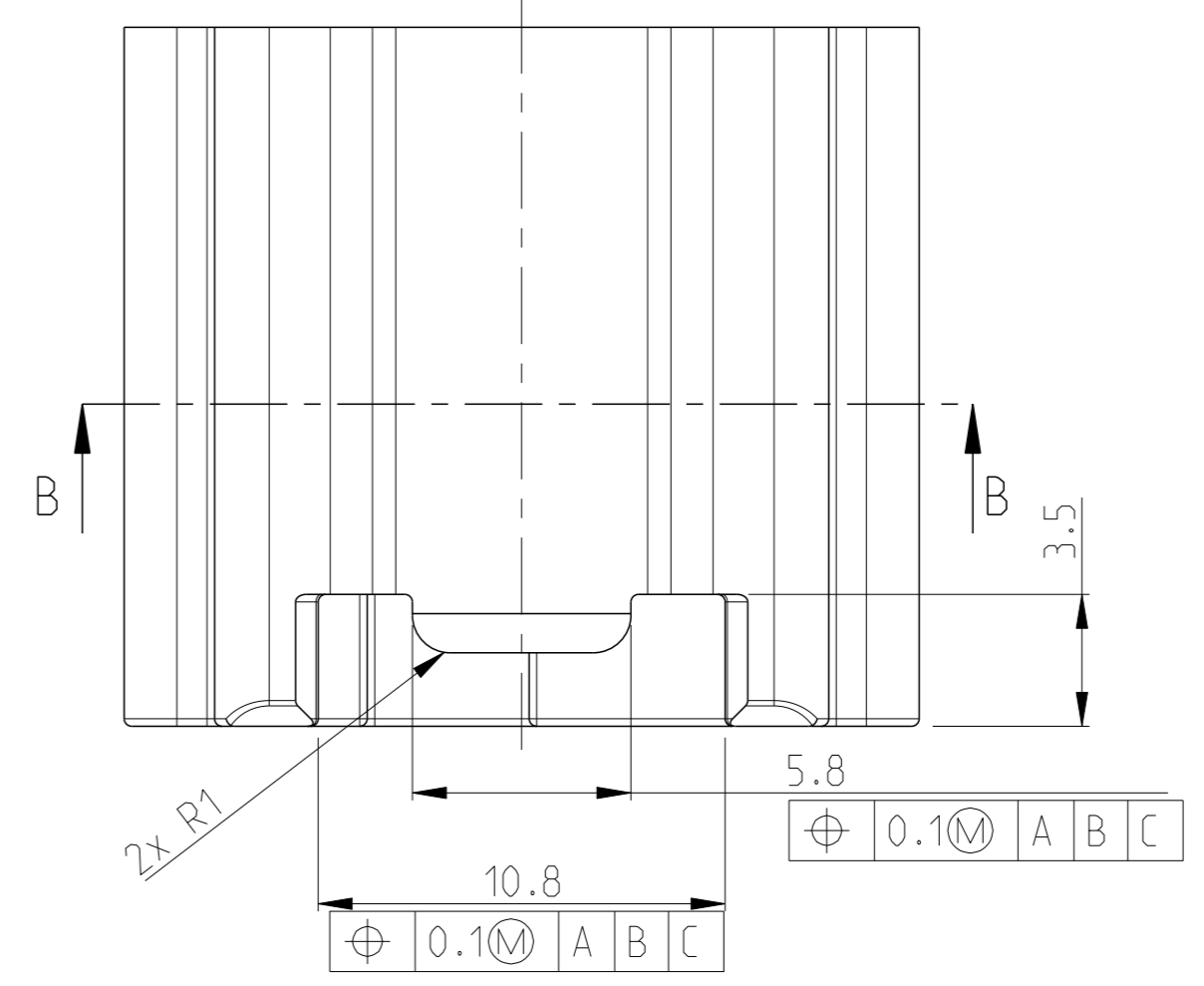
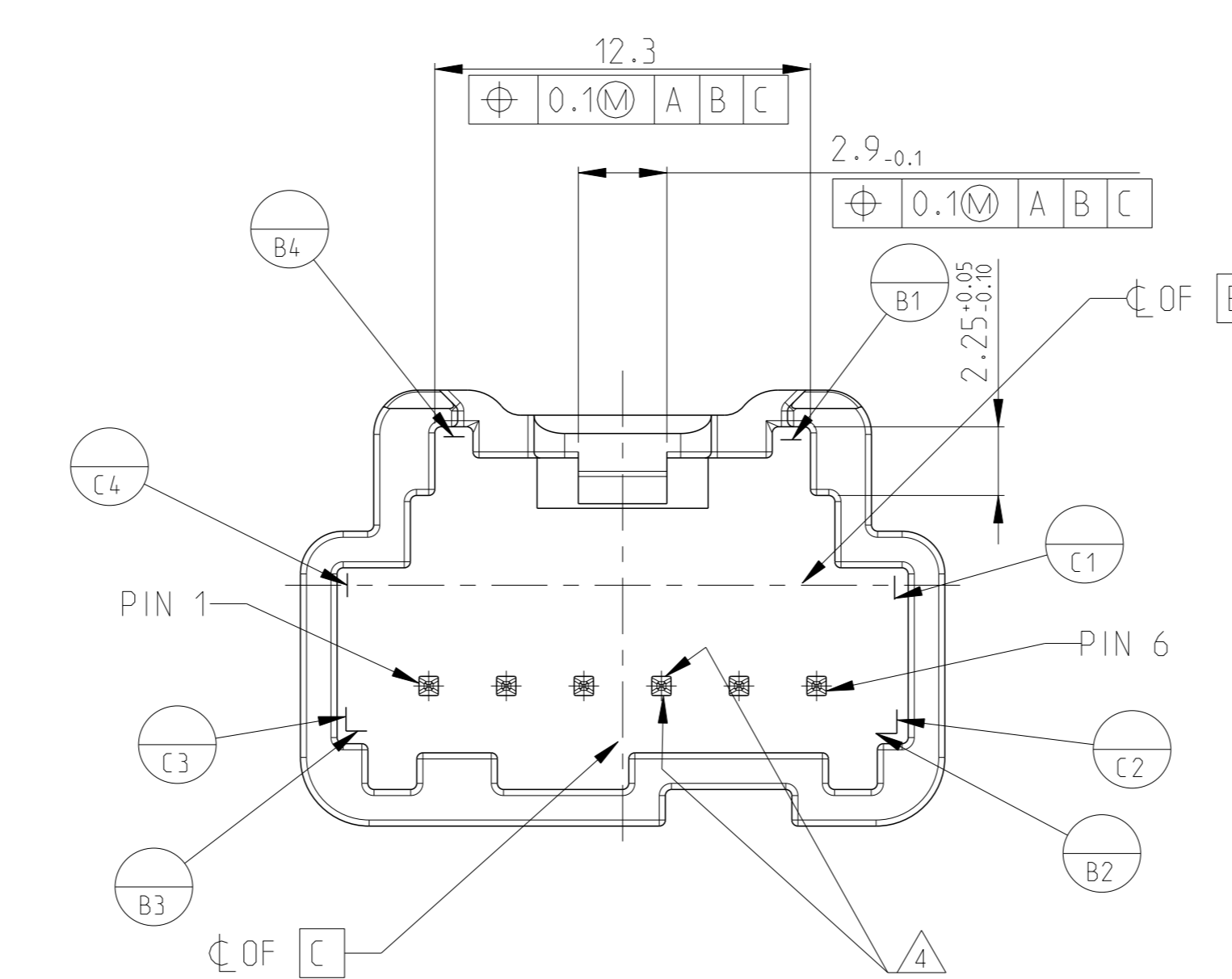
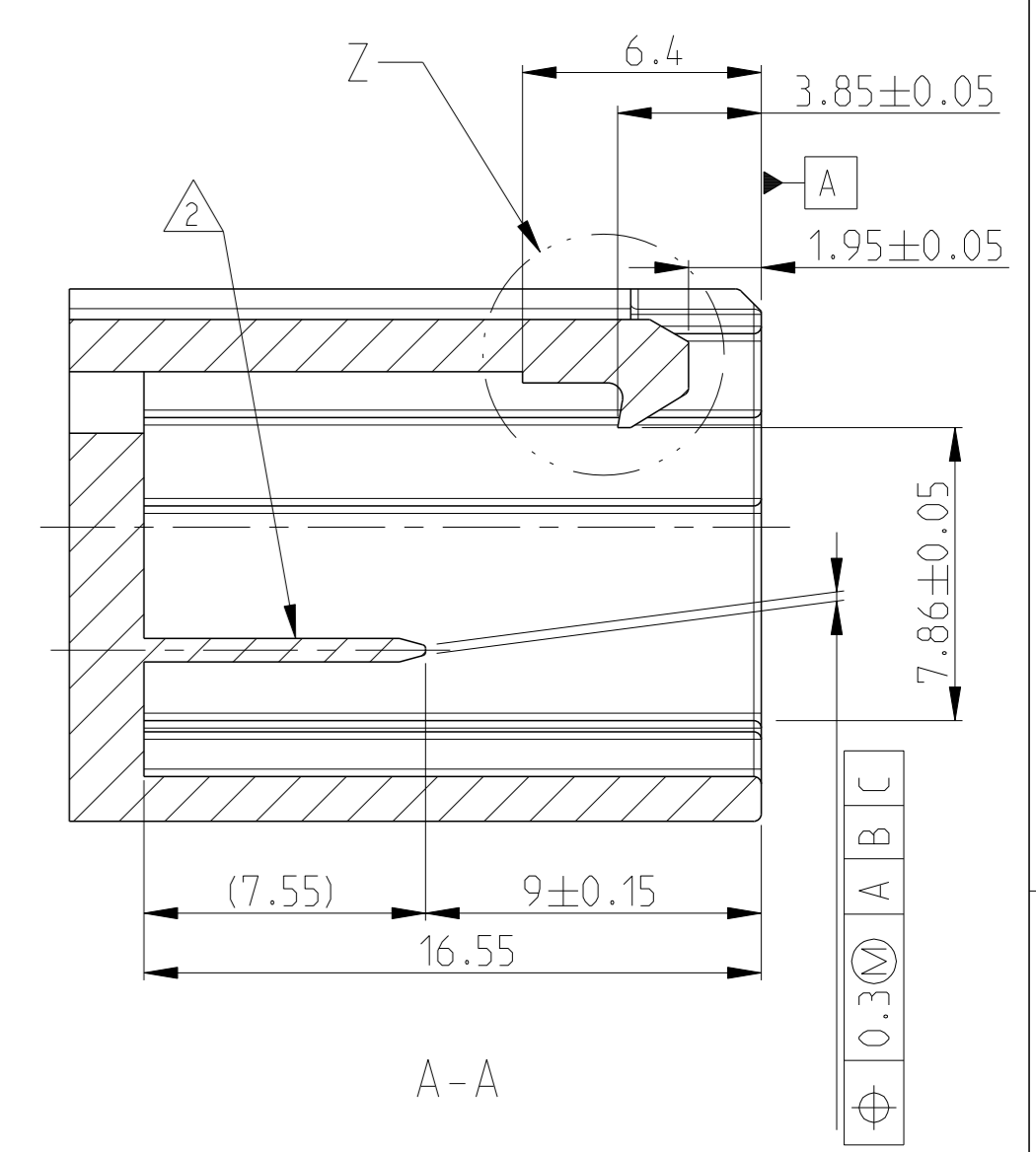
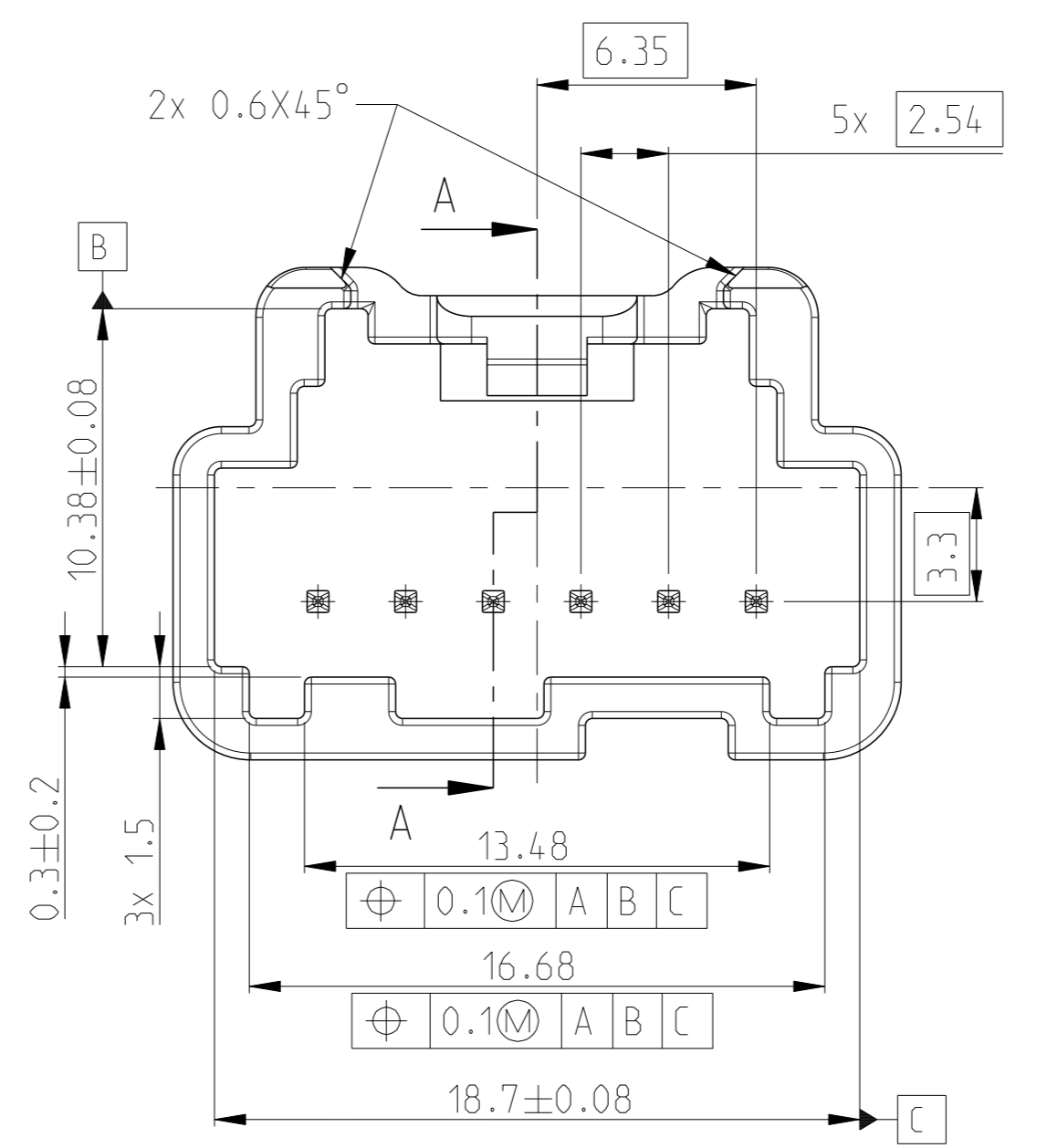
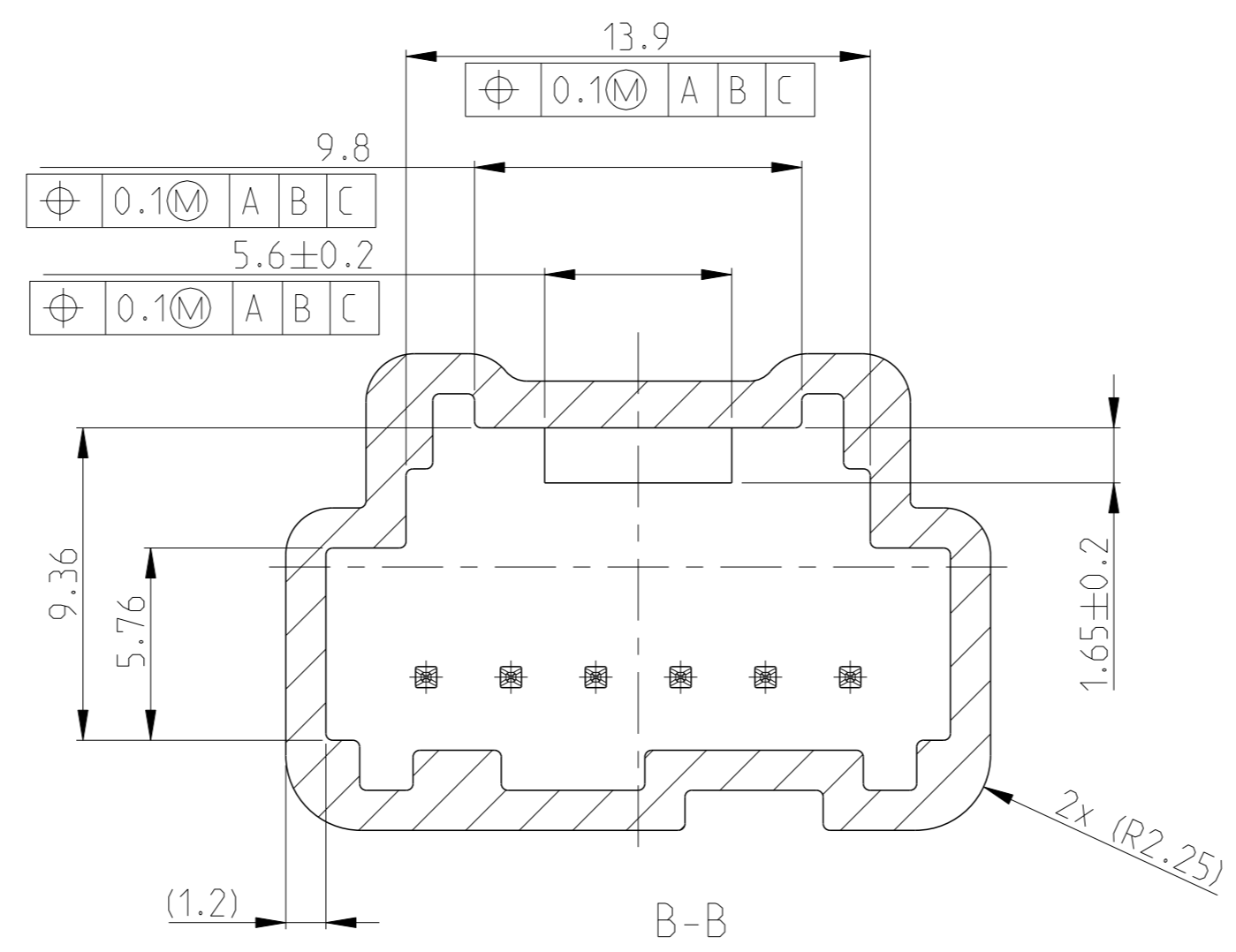
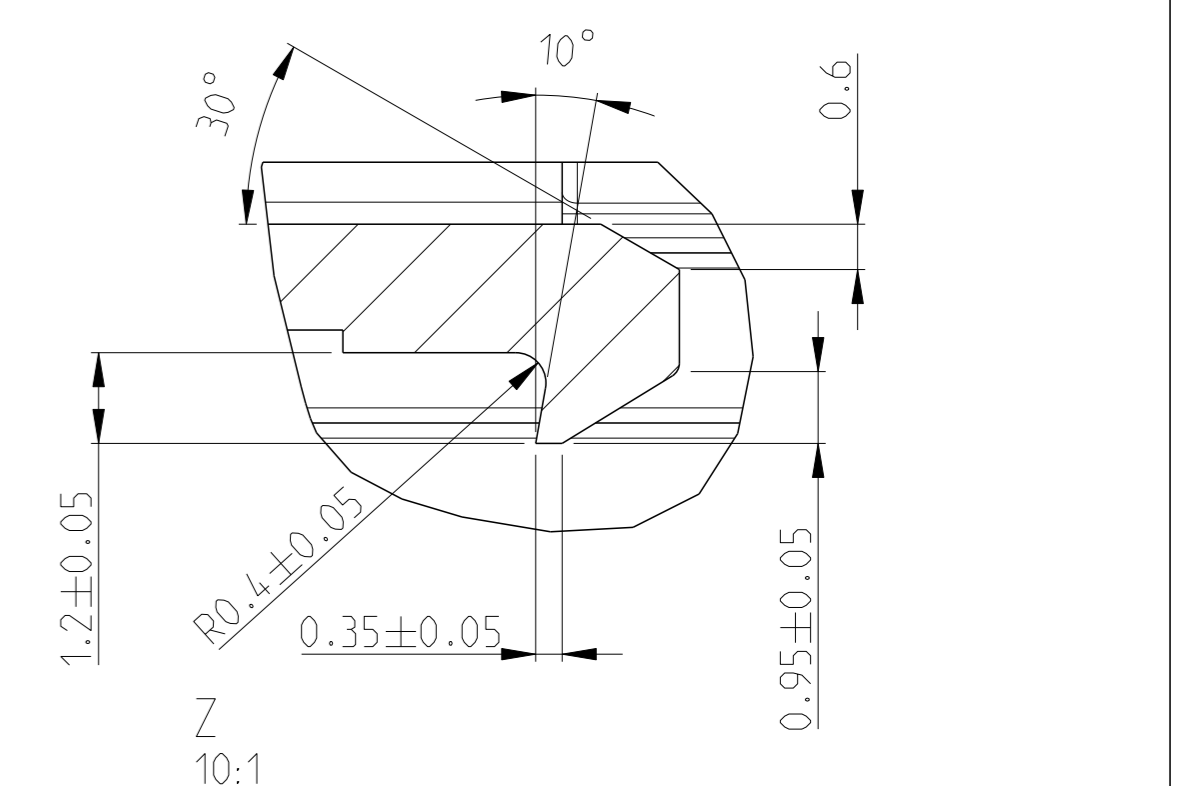
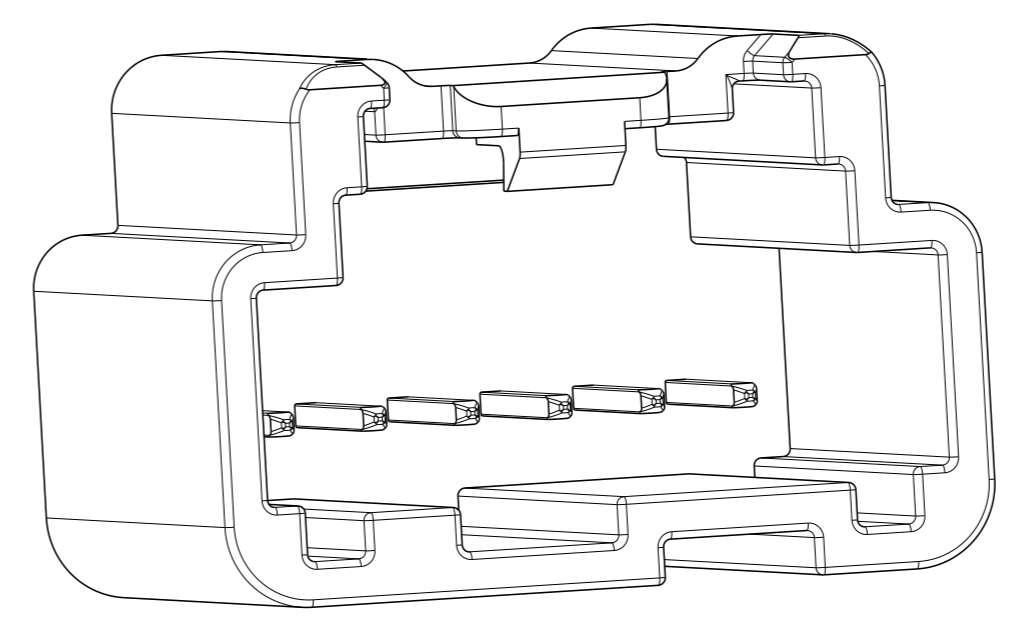
KEY G



KEY H



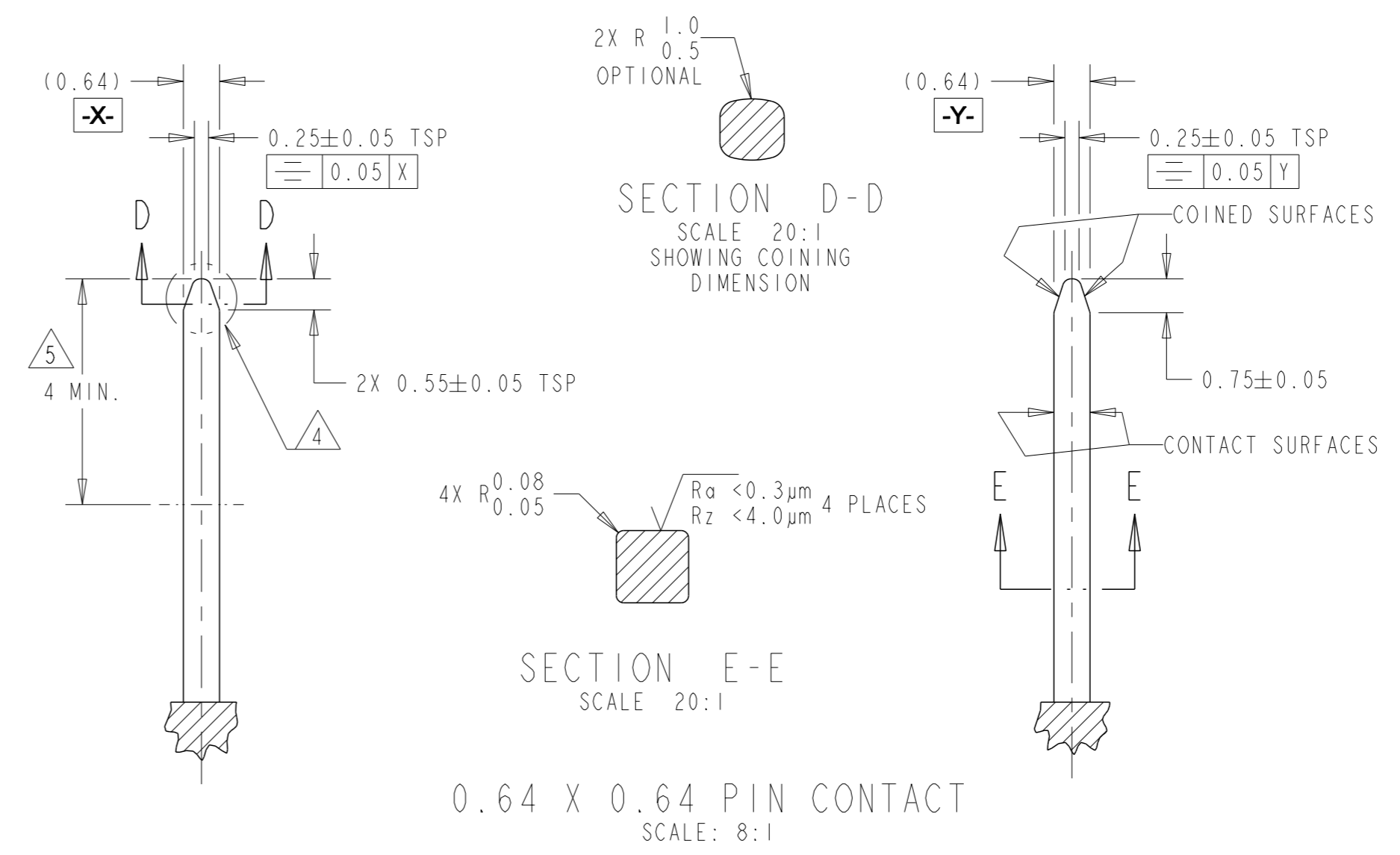
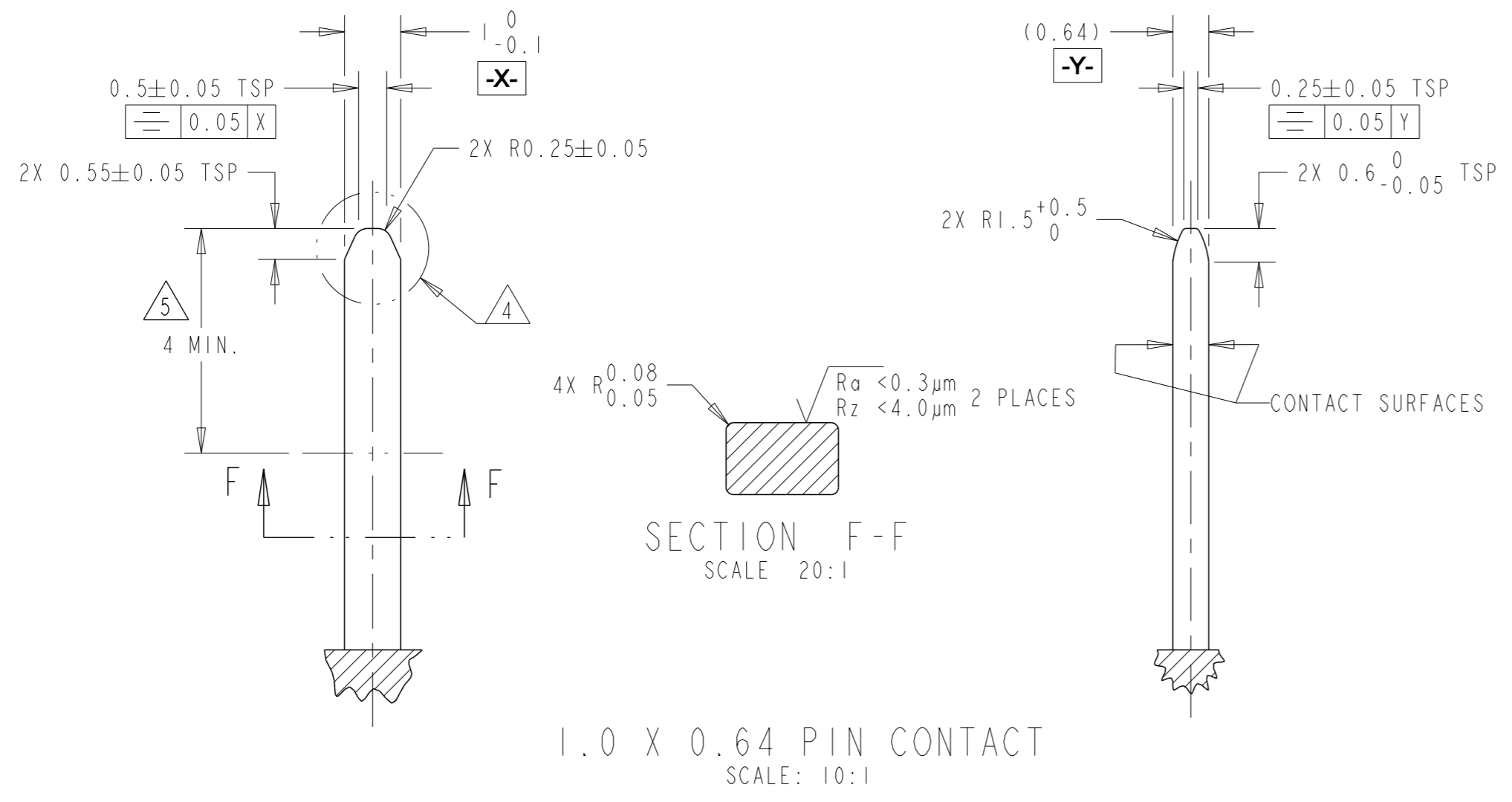
REVISIONS				
P	LT#	DESCRIPTION	DATE	OWN APVD
A1		ADDED PIN DETAILS	10SEP2015	DD RL



NOTE(S):  
 1. UNLESS OTHERWISE SPECIFIED: ALL RADII R0.2  
 2. CODING C SHOWN  
 △ KEYING B NOT PREFERRED FOR NEW APPLICATIONS

THIS DRAWING IS A CONTROLLED DOCUMENT.		OWN: M. DAUBER	05FEB2003	STE TE Connectivity	
DIMENSIONS: mm		CHK: -	APVD: -	NAME: INTERFACE SPECIFICATION 1x6 POS GET CONNECTOR UNSEALED	
TOLERANCES UNLESS OTHERWISE SPECIFIED:		PRODUCT SPEC: -		APPLICATION SPEC: -	
MATERIAL: -		WEIGHT: -		RESTRICTED TO: -	
FINISH: -		SCALE: 5:1		SHEET 1 OF 2	
ANGLES: ±		CAGE CODE: A1 00779		DRAWING NO: C=114-18543	
FINISH: ±		REVISION: A1		REV: A1	

- NOTE(S):
- MATERIAL: Cu ALLOY WITH TENSILE STRENGTH > 600 N/mm<sup>2</sup> ELECTRICAL CONDUCTANCE > 30 Sm/mm<sup>2</sup> (>50% IACS)
  - BASE PLATING: 2-3.5µm Ni ALL OVER  
TIN PLATING: 2.5-4µm Sn  
SILVER PLATING: 2-4µm Ag  
GOLD PLATING: >0.8µm Au
  - CONTACT MUST BE FREE OF BURRS AND SHARP EDGES.
  - ALL EDGES RADIUSUED WITH R0.1-R0.2 IN THIS AREA.
  - TIN, SILVER AND GOLD PLATING AREA.
  - PIN ROTATION ±5° MAXIMUM.



REVISIONS				
#	LY#	DESCRIPTION	DATE	APVD
-	-	SEE SHEET 1	-	-

THIS DRAWING IS A CONTROLLED DOCUMENT.		OWN: M. DAUBER	05FEB2003	TE Connectivity															
DIMENSIONS: mm		CHK: -	APVD: -																
<table border="1"> <tr> <th>TOLERANCES UNLESS OTHERWISE SPECIFIED:</th> <th></th> </tr> <tr> <td>0 PLC</td> <td>±0.1</td> </tr> <tr> <td>1 PLC</td> <td>±0.1</td> </tr> <tr> <td>2 PLC</td> <td>±0.1</td> </tr> <tr> <td>3 PLC</td> <td>±</td> </tr> <tr> <td>4 PLC</td> <td>±</td> </tr> <tr> <td>ANGLES</td> <td>±°</td> </tr> <tr> <td>FINISH</td> <td>µm</td> </tr> </table>		TOLERANCES UNLESS OTHERWISE SPECIFIED:		0 PLC	±0.1	1 PLC	±0.1	2 PLC	±0.1	3 PLC	±	4 PLC	±	ANGLES	±°	FINISH	µm	NAME: INTERFACE SPECIFICATION 1x6 POS GET CONNECTOR UNSEALED	RESTRICTED TO: -
TOLERANCES UNLESS OTHERWISE SPECIFIED:																			
0 PLC	±0.1																		
1 PLC	±0.1																		
2 PLC	±0.1																		
3 PLC	±																		
4 PLC	±																		
ANGLES	±°																		
FINISH	µm																		
MATERIAL: -	WEIGHT: -	SIZE: A1	CAGE CODE: 00779	DRAWING NO: ©=114-18543															
Interface Drawing		SCALE: 5:1	SHEET: 2 OF 2	REV: A1															