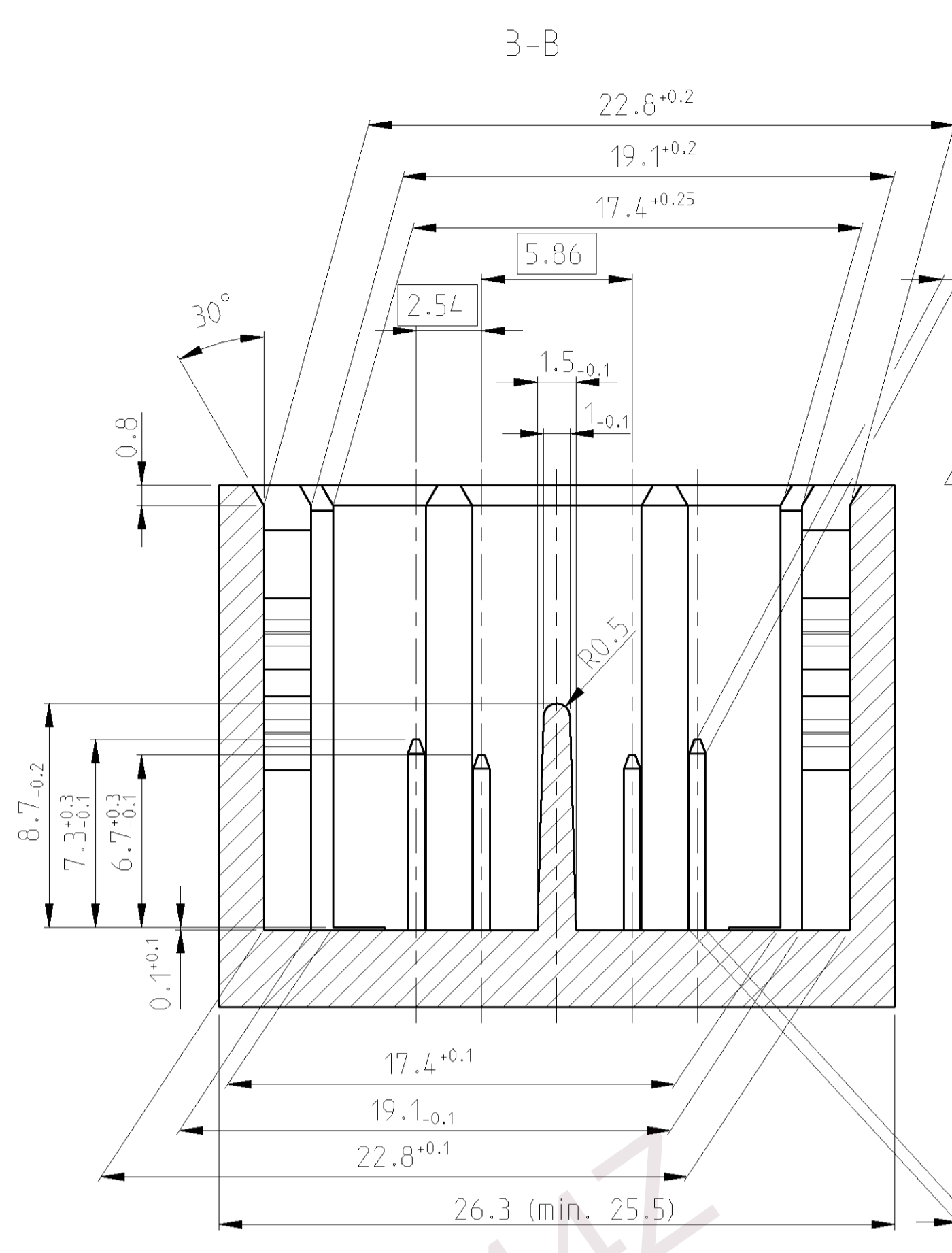
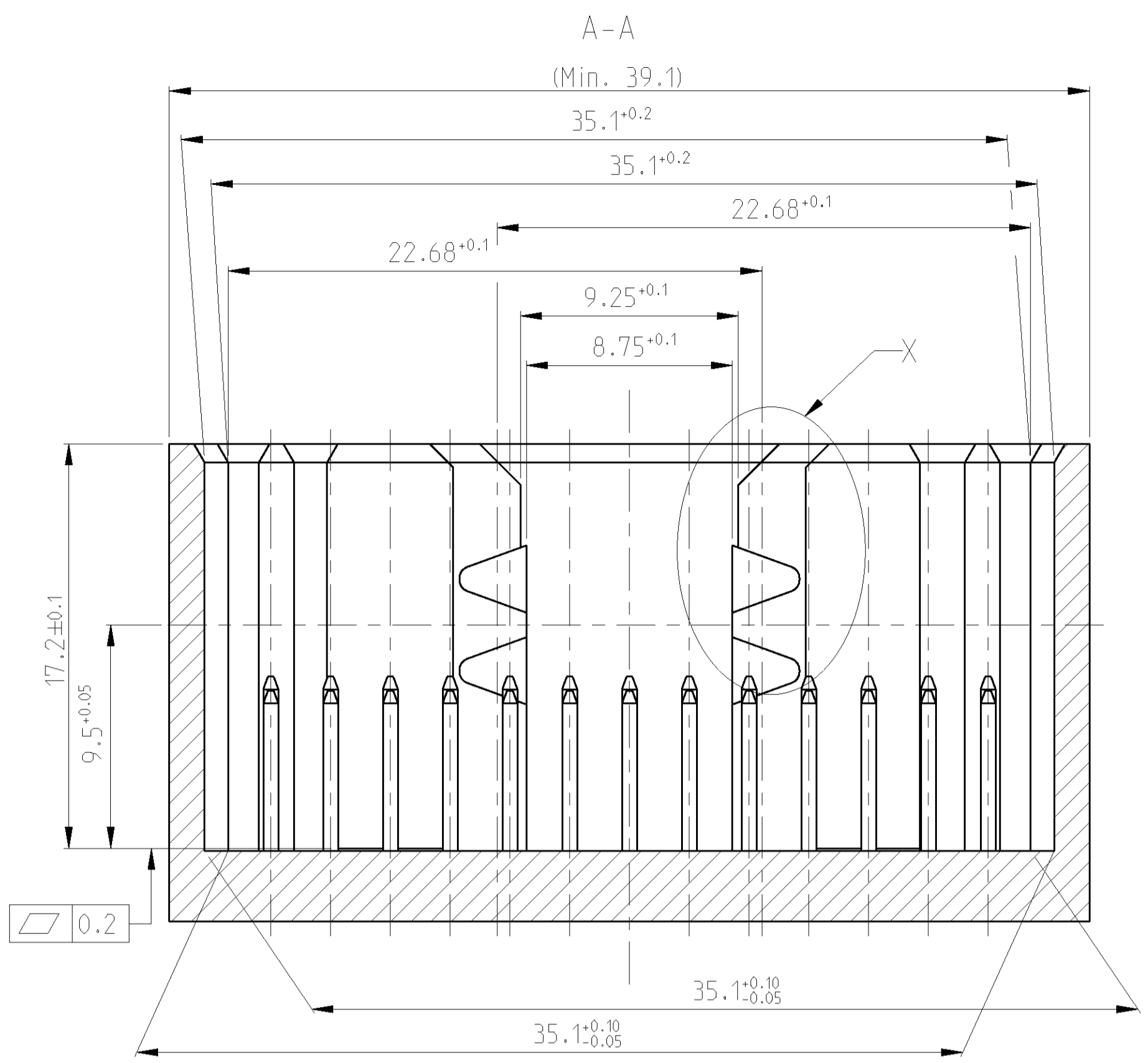
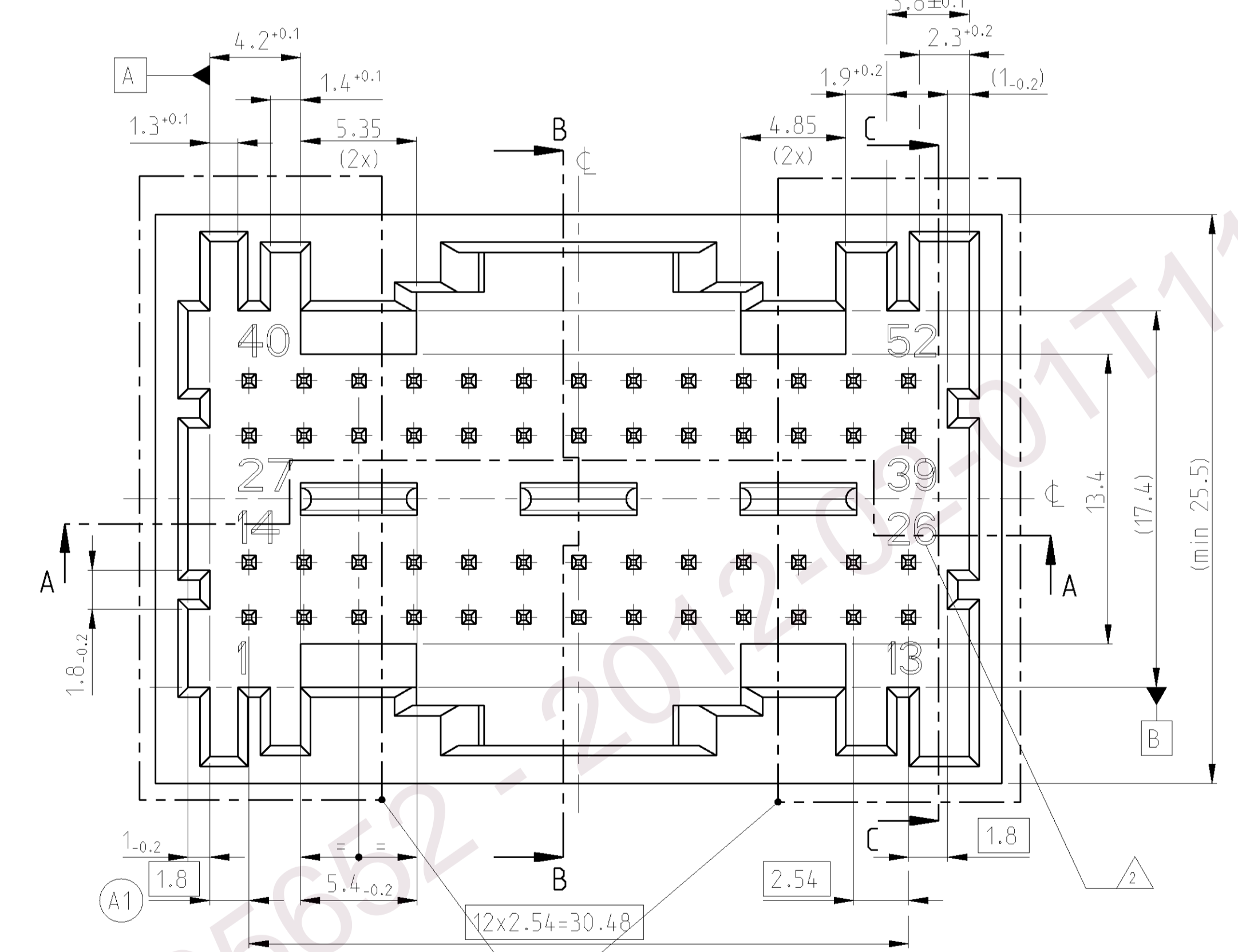
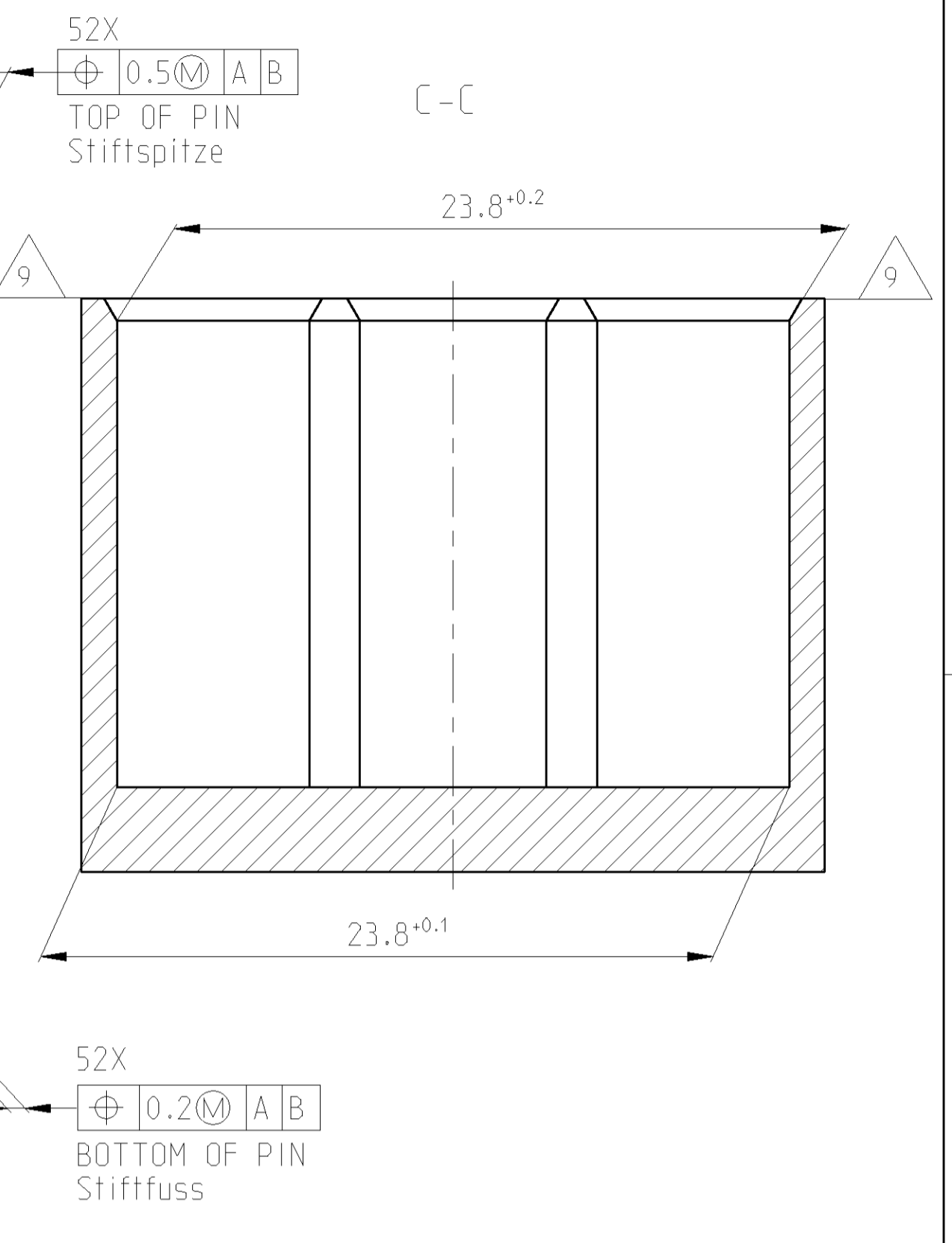


Codings for left variant
2:1

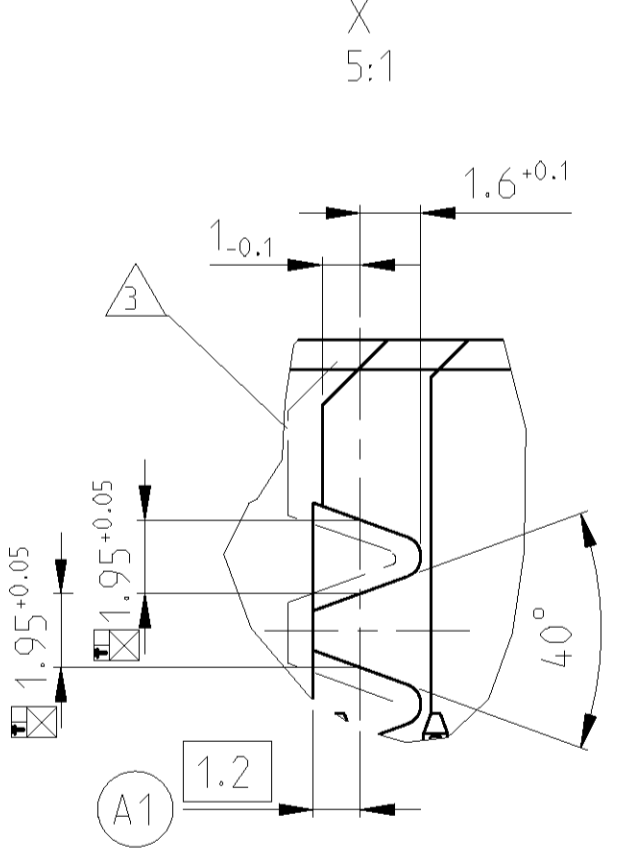
Codings for right variant
2:1



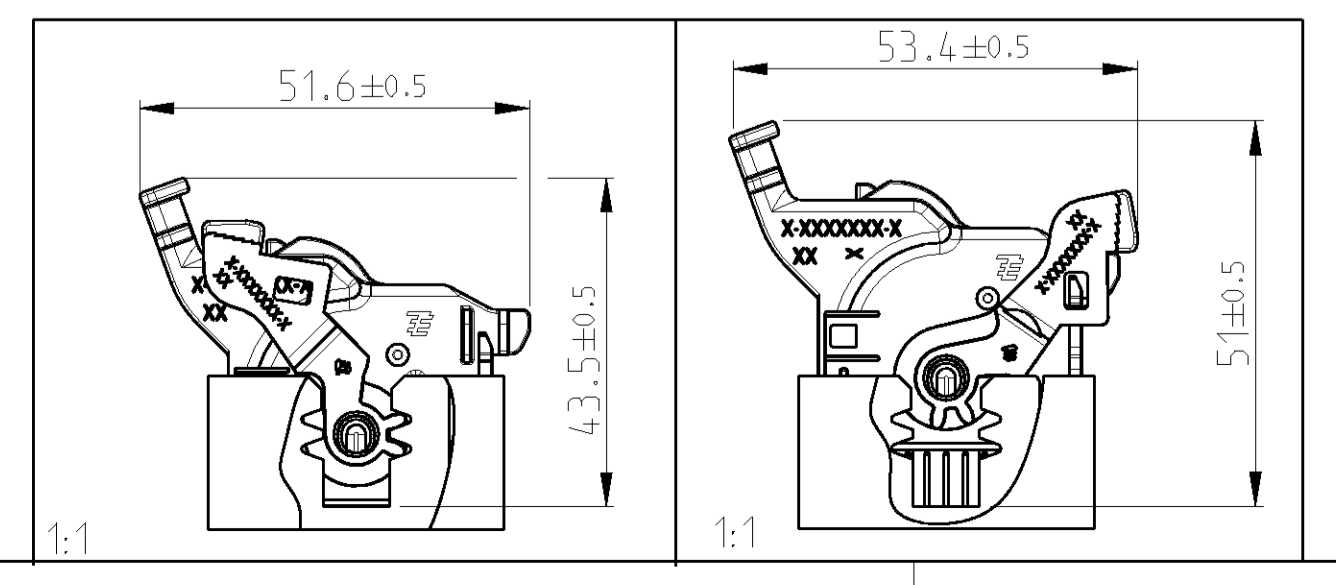
LOC	DISC	REV	DESCRIPTION	DATE	OWN	APVD
A1	-	A	NEW DRAWING	12JUN2008	YA	HR
		A1	SEE-E-08-027108	26MAY2009	YA	HR



IN THIS AREA CONSTRUCT THE TOOL CHANGEABLE FOR OTHER CODINGS
 Werkzeug in diesem Bereich fuer Kodierungen umbaubar vorsehen



- NOTES
Bemerkungen
- ONLY THE GERMAN-LANGUAGE VERSION SHALL BE BINDING
Massgebend ist der deutsche Text
 - CHARACTERS DEEP EXCHANGEABLE
Schrift vertieft austauschbar
 - IN THIS AREA NO BURRS PERMITTED
in diesem Bereich kein Grat zulässig
 - NO SPECIFIED RADII R 0.3 mm
unbemaste Radien R0.3
 - NO SPECIFIED WALL THICKNESS MIN. 1mm
unbemaste Wandstaerken min. 1mm
 - SPACE OF ACTIVITY MIN.15 mm
Befaeligungsfreiraum min. 15 mm
 - POSITION TOLERANCE OF THE RELATION LAYER
[A] AND [B] MEASURED AT THE BOTTOM OF THE PIN HEADER
Positionstoleranz der Bezugsebene
[A] und [B] am Grund der Stiftwanne gemessen
 - CODING A AS SHOW (LEFT VARIANT)
Kodierung A gezeichnet (Linke Variante)
 - MAX. SINKING DEPTH IN THE FRONT PLATE OF THE UNIT
Max. Versenkungstiefe in der Frontplatte des Aggregates



CONTACT PIN MQS Kontaktstift MQS	114-18063
COUNTERPART Gegenstueck	1703935
FEATURE Merkmal	Tyco Electronics AMP - No.

DIMENSIONS: mm		TOLERANCES UNLESS OTHERWISE SPECIFIED:		DRAWN T. Ashour 07/FEB/2008		Tyco Electronics Tyco Electronics AMP GmbH 64425 Bensheim (Germany)	
MATERIAL		FINISH		CHK H. Ripper 13MAY2008		NAME	
CONTACT PIN MQS		114-18063		PRODUCT SPEC		Interface drawing, 52 pos. MQS	
COUNTERPART		1703935		APPLICATION SPEC		Austuehrungsvorschrift 52 pol. MQS	
FEATURE		Tyco Electronics AMP - No.		WEIGHT		RESTRICTED TO	
MATERIAL		FINISH		CUSTOMER DRAWING		SCALE 5:1 SHEET 1 OF 1 REV A1	