

**Housing Assembly 2p MQS Sealed Clean Body**

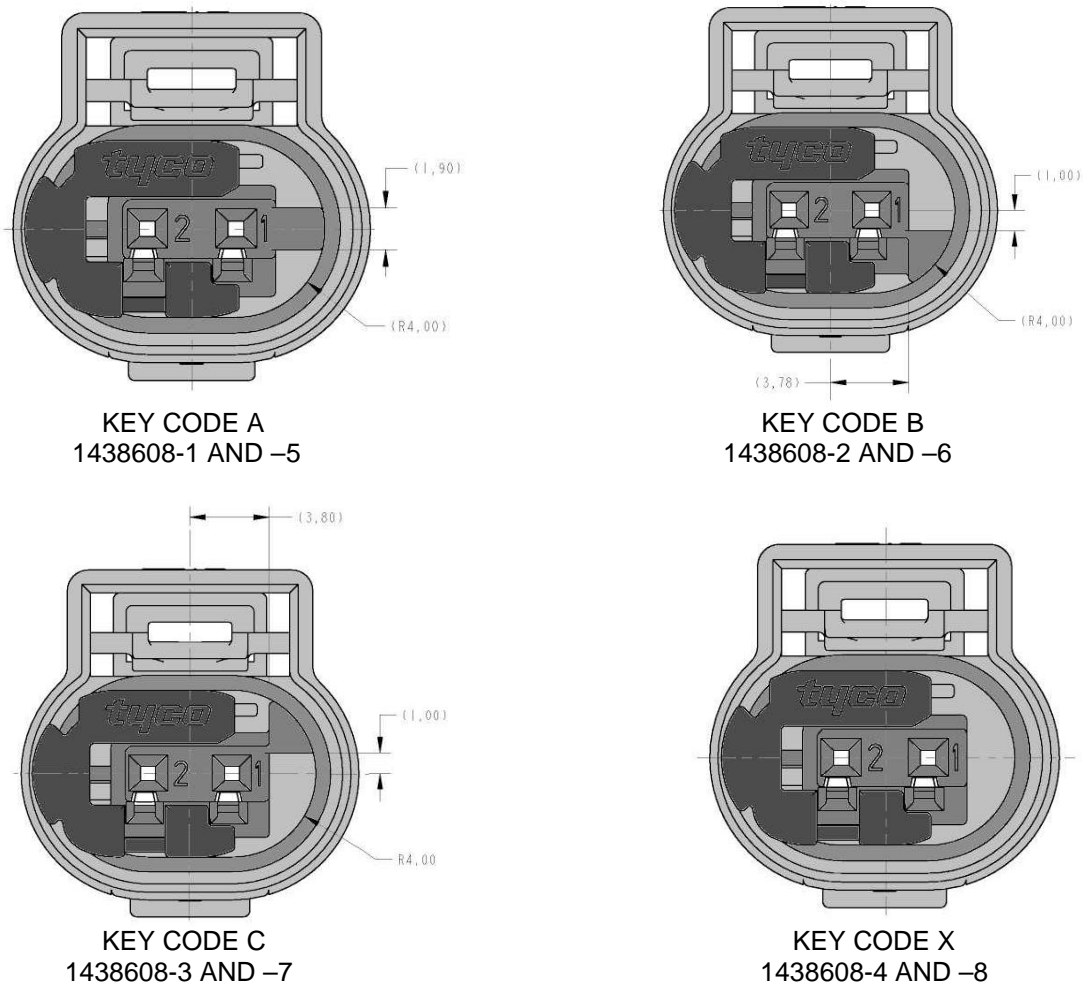
**1. SCOPE**

**1.1 Content**

This Application spec is to provide useful information for correct assembly to the harness and correct assembly / disassembly of the connectors.

Tyco Part Number	Description
1438608-X	HOUSING ASSEMBLY 2 POS, MQS* SEALED CLEAN BODY

**Table 1**  
**(Tyco Part Numbers)**



**Figure 1**

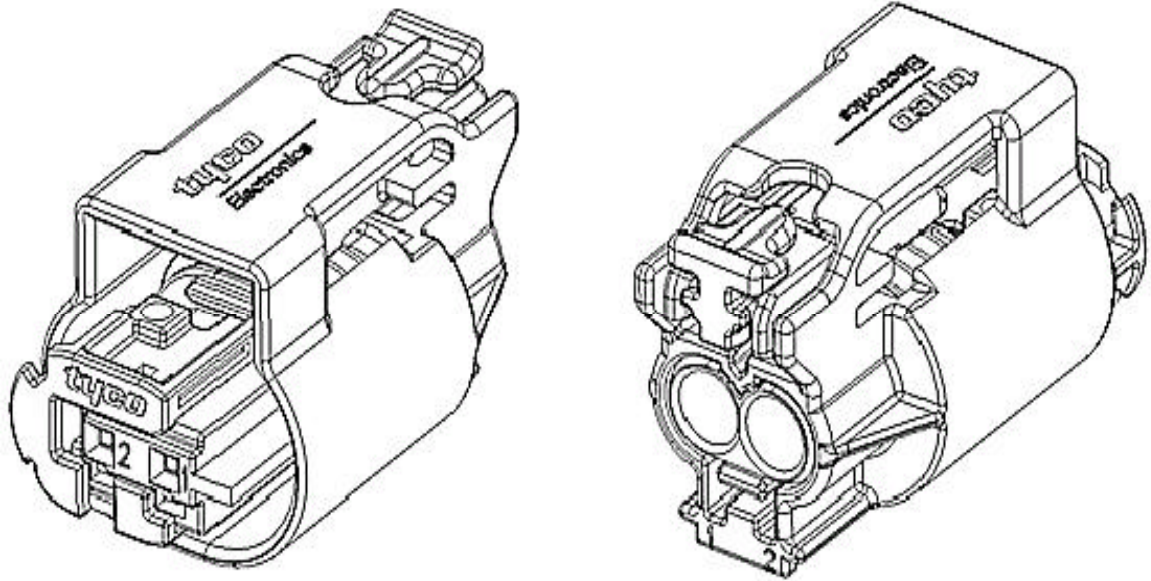
Prepared by : Leandro W. Prado | Checked by : Rolands Indriksons | Approved by : Andre Metzker

## 2. PACKAGING OF THE CONNECTORS

Housing Ass'y 2 Posn, MQS Sealed Clean Body (P/N1438608-X) is shown in Figure 2.

The connectors are designed to be supplied with a preassembled Terminal Position Assurance (TPA) and Connector Position Assurance (CPA), which may or may not be supplied with a CPA, depending on the Part Number. Connectors have mechanical polarizations and various codings to assure the proper mating between male housing and counter part.

The connectors are supplied in bulk packaging.



**Figure 2**  
(Cod "A" Shown)

## 3. CONTACT LOADING

Insert contacts into the housings cavities according to Figure 3 until the contact bottom and the plastic lance locks in place. On table 2 below are indicated the different contact and seal Part numbers used.

Tyco Part Number	Description	Wire Range (for contact only)
1703032-X	MQS* SOCKET CONTACT CLEAN BODY EDS (Aplicattion Spec of Contact – 114-18025-1)	0,5 – 0,75 mm <sup>2</sup> FLR 20 – 18 AWG TXL 20 AWG GXL
967067-1	SINGLE WIRE SEAL FOR CAVITY $\phi$ 3,60mm	$\phi$ 1,40 – $\phi$ 2,19 mm

**Table 2**  
(Contact and seal used on Hsg Ass'y 2Posn, MQS Sealed Clean Body)

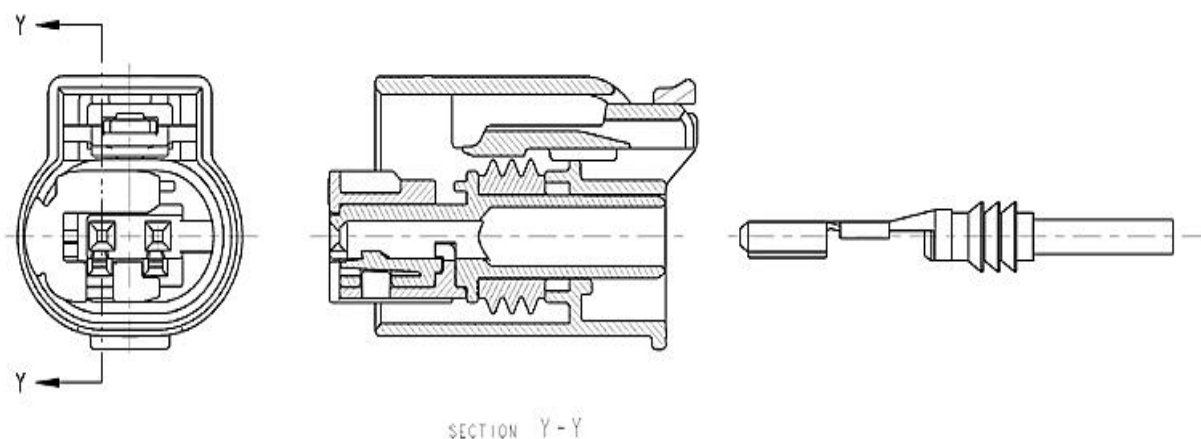


Figure 3

**Warning !**

*If you notice a resistance when inserting contact , check if the contact is in the proper orientation.*

#### 4. TERMINAL POSITION ASSURANCE (TPA)

After insertion of the contacts into their cavities, close the TPA by pushing it in the direction shown by the arrow in Figure 4 below, into the relevant seats until the end position.

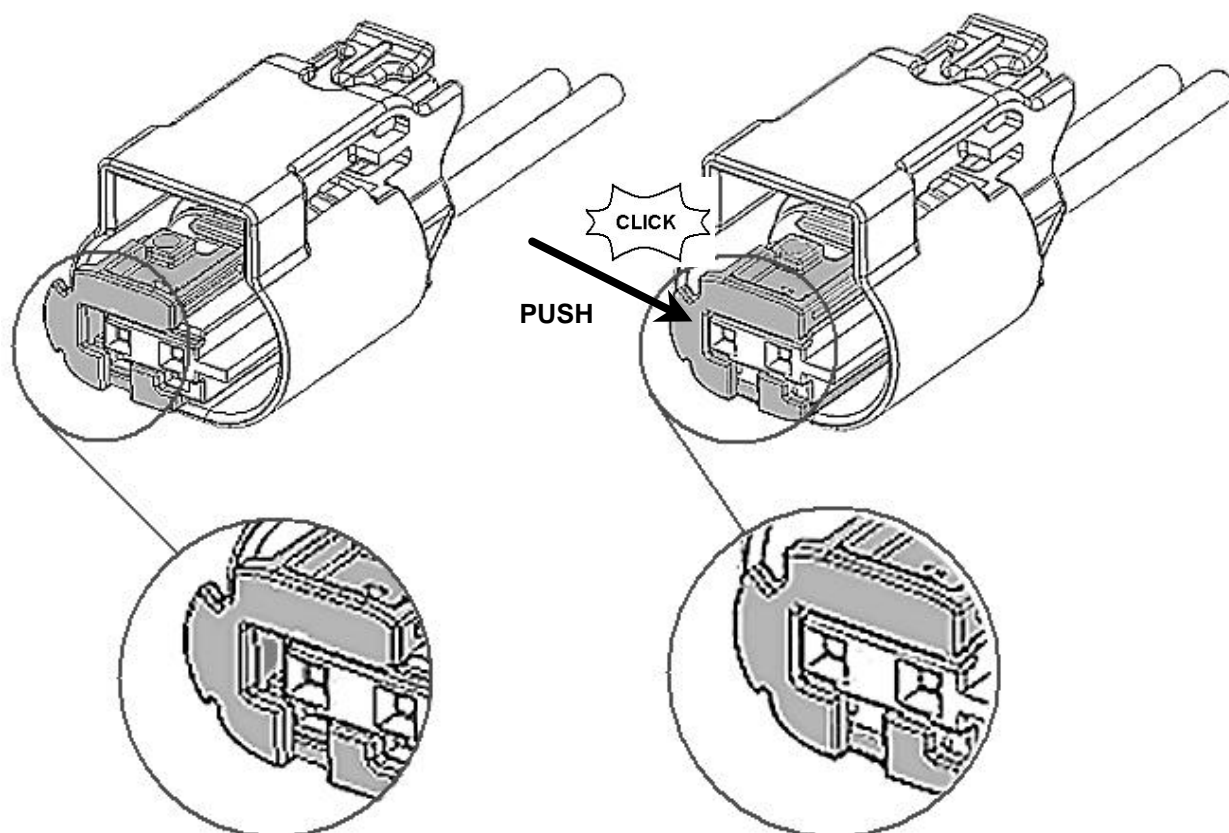


Figure 4

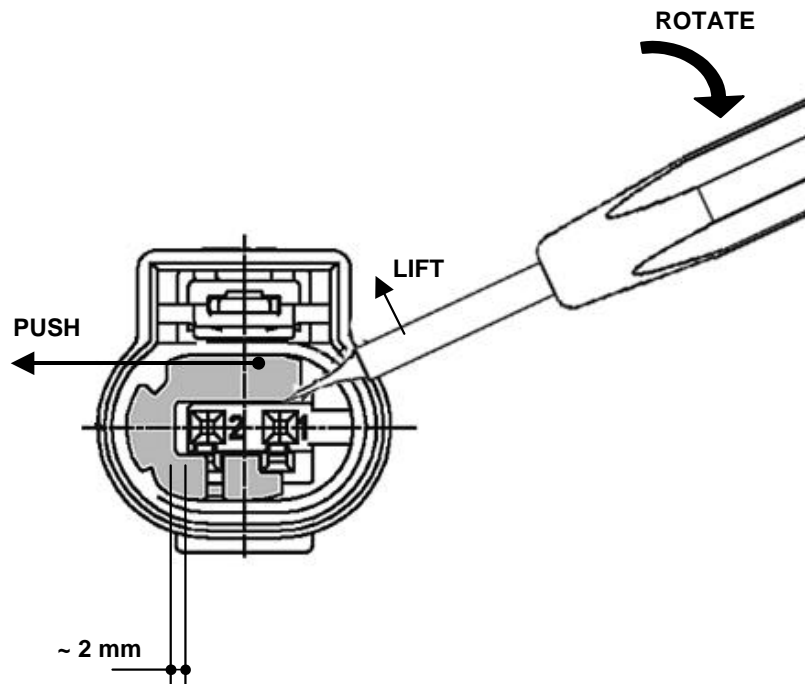
**Warning !**

*When pushing the TPA, if you notice a resistance do not push any more, but check the correct position of the contacts in their cavities, and only then proceed to lock the TPA.*

## 5. CONTACT EXTRACTION

To extract a contact , these steps must be followed :

- a) Insert a small screwdriver, or similar tool and rotate to lift TPA slightly. Gently lift and push TPA until it locks into pre-lock position, leaving a 2mm gap approximate as shown Figure 5 below :



*Figure 5*

- b) Insert terminal extraction tool P/N 785833-1 or similar with 1mm wide blade between cavity wall and plastic finger , according to Figure 6 and move (in **lift** direction) , and then pull the contact out , in the direction shown by the **pull** arrow .

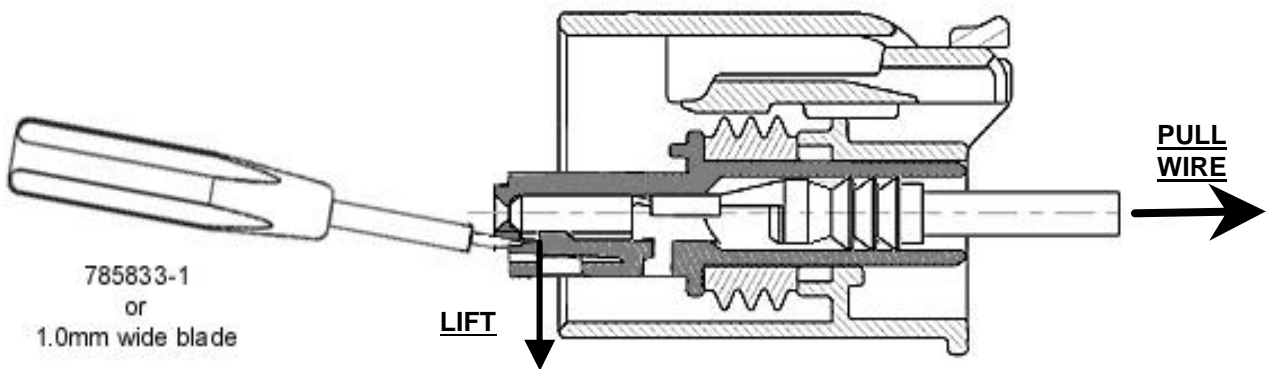
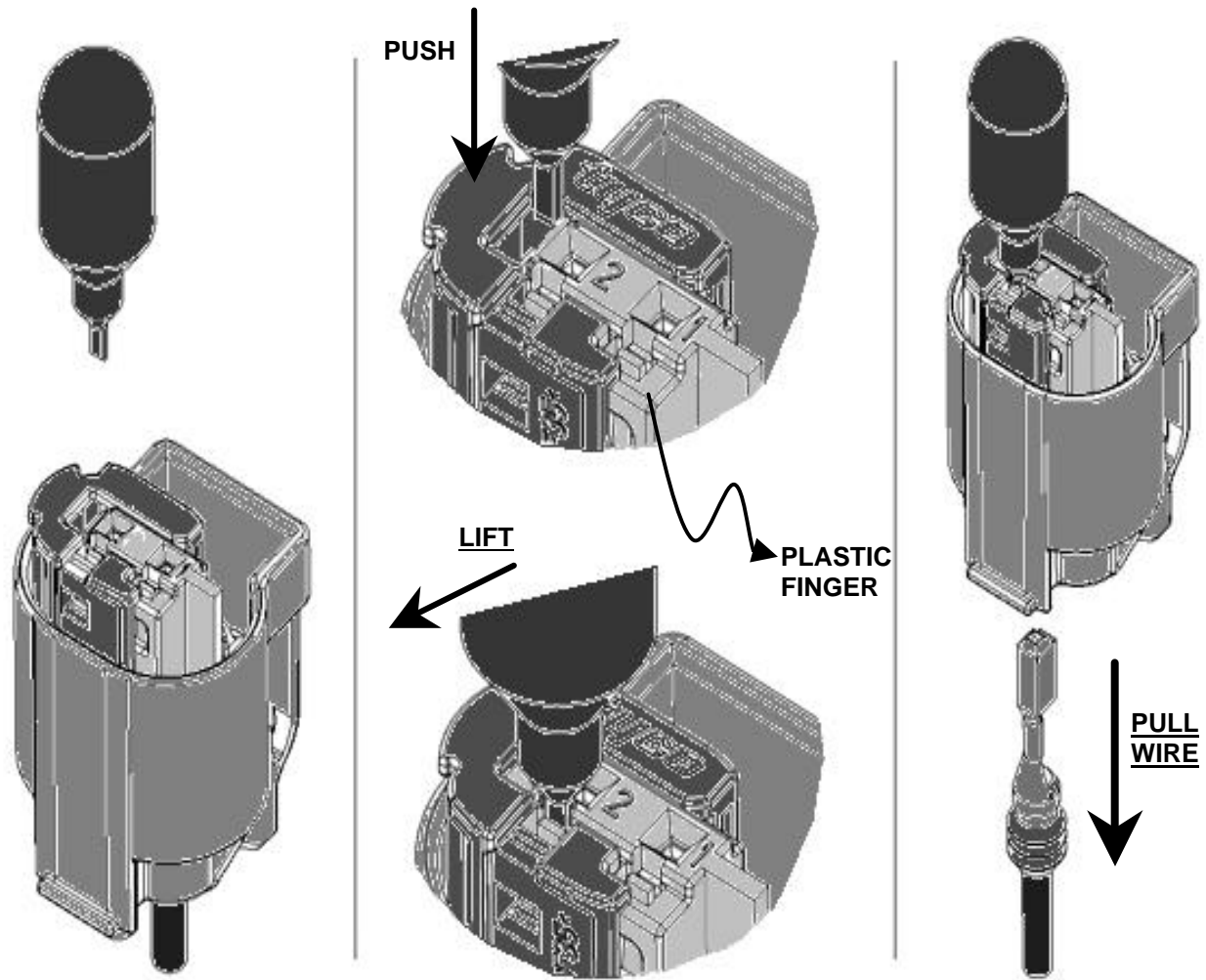


Figure 6

## 6. CONNECTOR POSITION ASSURANCE CLOSING DEVICE (IF PRESENT)

After insertion of the connector assembly into its mating part , close the CPA by pushing it in the direction shown by the arrows on Figure 7 below, until the locked position .

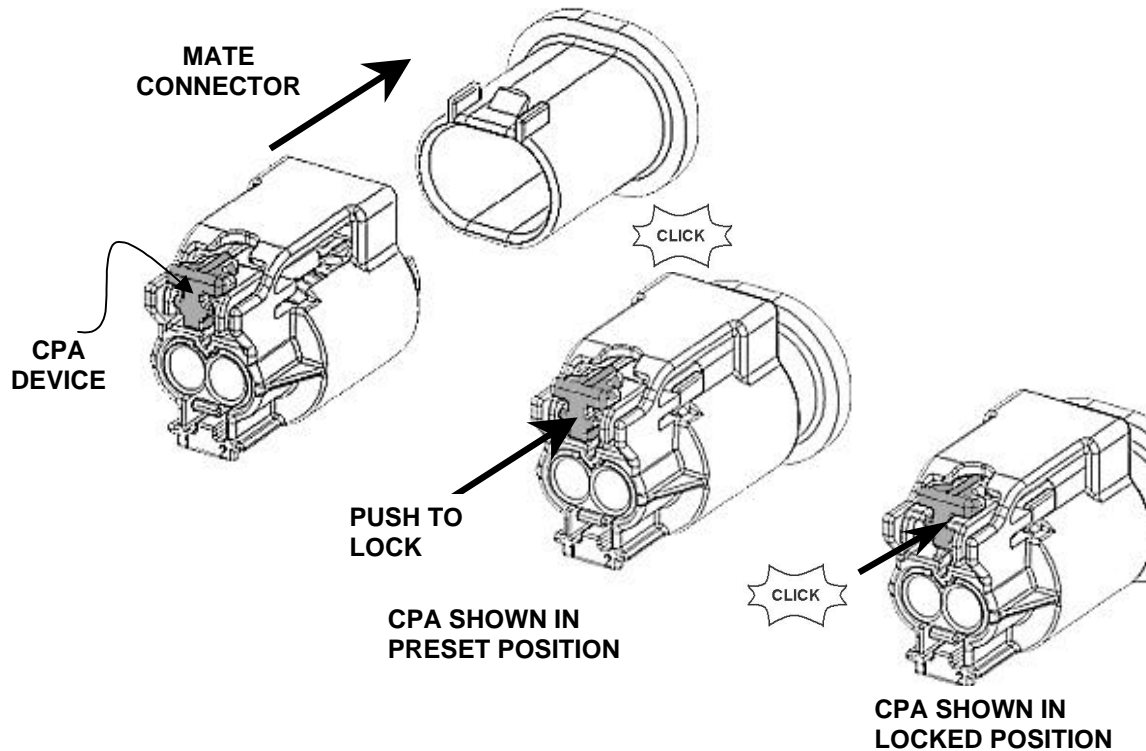
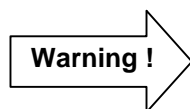


Figure 7



**When pushing the CPA, if you notice a resistance do not push any more, but check the correct position of the connector assembly in its counter part, and only then proceed to lock the CPA.**

## 7. CONNECTOR EXTRACTION

To extract a connector the following steps must be followed :

- a) If CPA is present, push in the direction shown by the arrow to move the CPA from final locking to pre-locking position , see Figure 8 below :

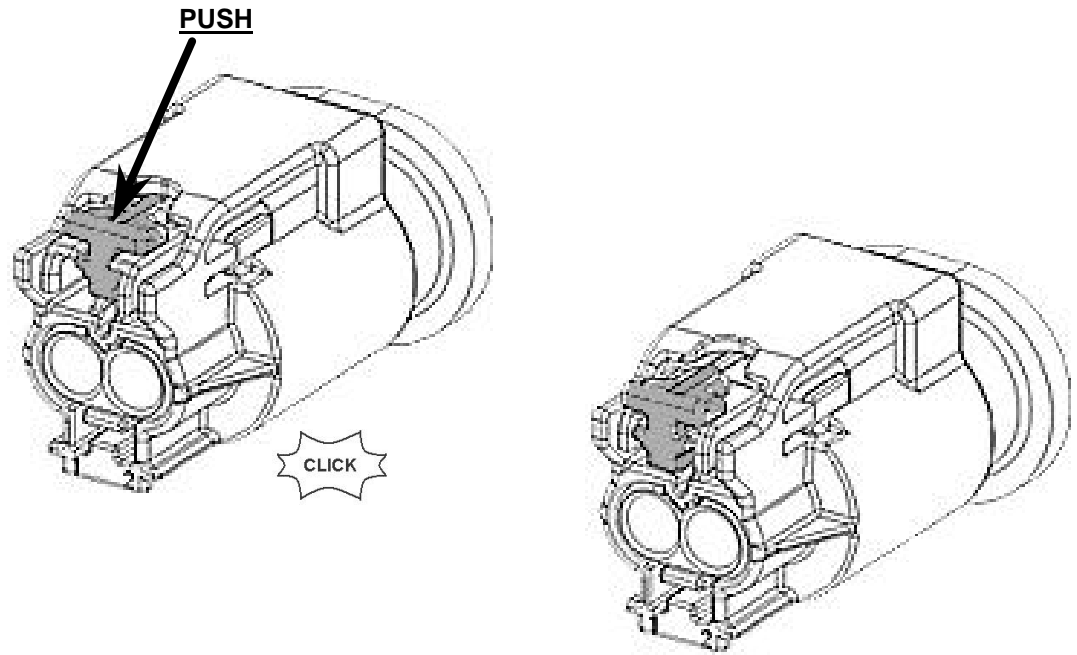


Figure 8

b) Depress the latch and pull the connector; see Figure 9 below :

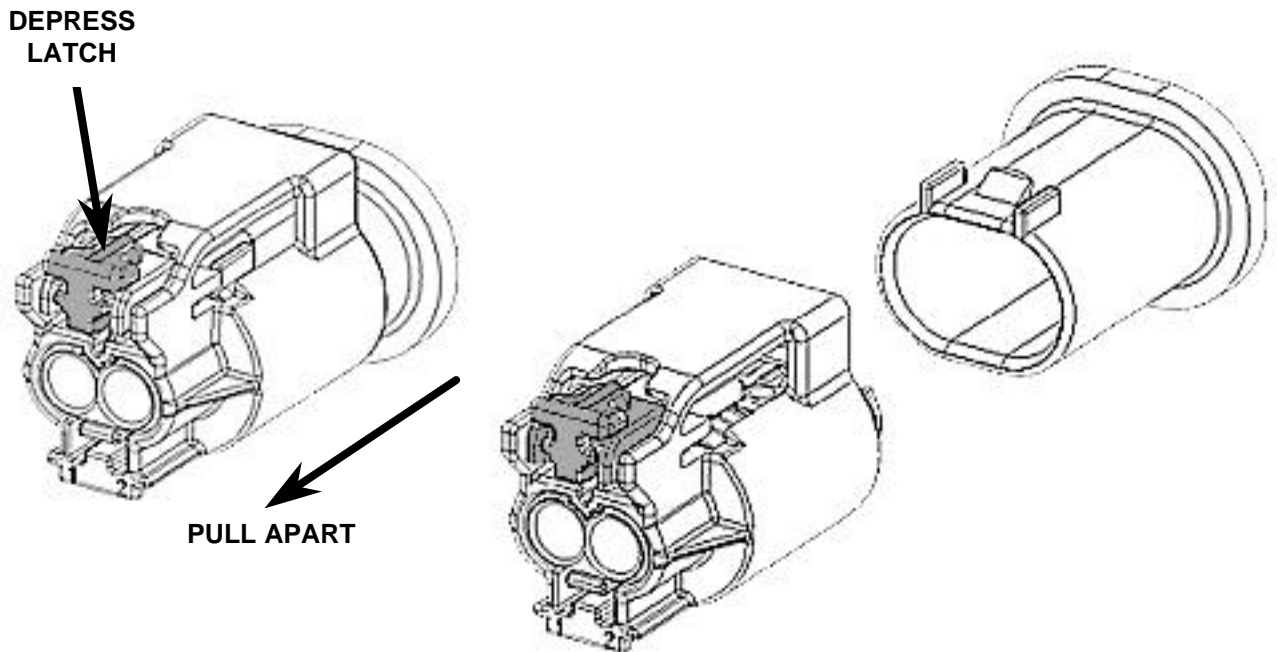


Figure 9

Revision Record		
Revision	Date	Description
O	11-Mar-2005	Released