
13 POS. HYBRID CONNECTOR

TABLE OF CONTENTS

1	GENERAL
1.1	PURPOSE
1.2	CUSTOMER DRAWINGS
1.3	DELIVERY CONDITION
1.3.1	13 POS. FEMALE CONNECTOR AND SPACER
1.3.2	13 POS. MALE CONNECTOR AND SPACER
1.3.3	TERMINALS FOR 13 POS. FEMALE CONNECTOR
1.3.4	TERMINALS FOR 13 POS. MALE CONNECTOR
2	CONNECTOR OVERVIEW
2.1	OVERVIEW
2.2	TERMINAL INSERTION / REMOVAL INSTRUCTIONS GENERATION Y 0,64, YESC 1,5 / MOLEX 1,5 AND APEX 2,8
2.3	APPLICABLE WIRES
2.4	TPA (SPACER) INSERTION / REMOVAL INSTRUCTIONS
3	MATING AND UNMATING OF THE 13 POS. CONNECTORS
3.1	MATING OF THE CONNECTORS
3.2	UNMATING OF THE CONNECTORS

1 GENERAL

1.1 PURPOSE

THIS SPECIFICATION DESCRIBES HOW TO HANDLE THE 13 POS. CONNECTOR COMPONENTS.

1.2 CUSTOMER DRAWINGS

THIS APPLICATION SPECIFICATION IS BASED ON THE LATEST VALID CUSTOMER DRAWING.

C_2141648 **ASSY FEMALE 13 POS. CONNECTOR**

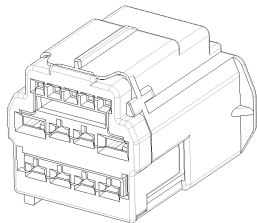
C_2141647 **ASSY MALE 13 POS. CONNECTOR**

INTERFACE SPECIFICATION :

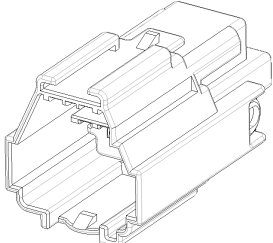
114-94221 **13 POS. CONNECTOR**

1.3 DELIVERY CONDITION

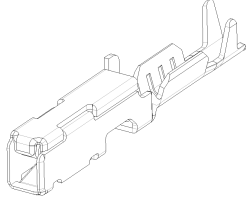
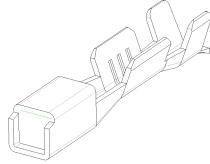
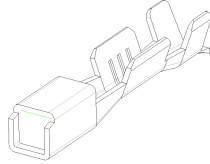
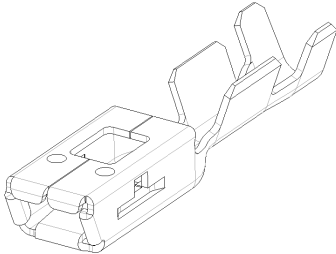
1.3.1 13 POS. FEMALE CONNECTOR AND SPACER

<p>ASSY 13 POS. FEMALE CONNECTOR</p>	<p>2141648-1 – KEYING A COLOUR: BLACK</p> <p>2141648-2 – KEYING B COLOUR: GREY</p>	
--------------------------------------	--	---

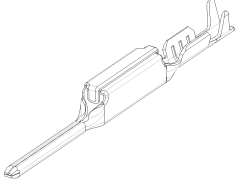
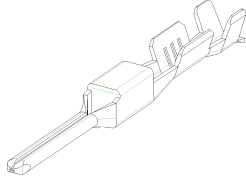
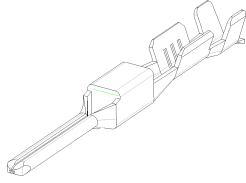
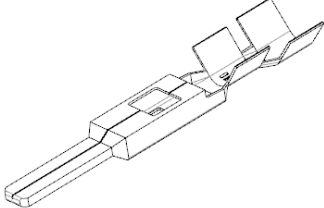
1.3.2 13 POS. MALE CONNECTOR AND SPACER

<p>ASSY 13 POS. MALE CONNECTOR</p>	<p>2141647-1 – KEYING A COLOUR: BLACK</p> <p>2141647-2 – KEYING B COLOUR: GREY</p>	
------------------------------------	--	---

1.3.3 TERMINALS FOR 13 POS. FEMALE CONNECTOR

<p>GENERATION Y 0.64mm TERMINAL</p>	<p>TE-PN: 0-1456574-5 0-1456574-1 0-1456574-2</p>	
<p>Molex 1.5mm Terminal</p>	<p>FORD-PN: 7U3T-14474-LA 7U3T-14474-KA 7U3T-14474-JA 7U3T-14474-PA 7U3T-14474-NA 7U3T-14474-MA 7U5T-14474-RA 7U5T-14474-PA 7U5T-14474-NA</p>	
<p>Yazaki 1.5mm Terminal</p>	<p>FORD-PN: 97-BG-14474-AAB 97-BG-14474-ABB 97-BG-14474-ACB 97-BG-14474-AFA 97-BG-14474-AGA</p>	
<p>APEX 2.8mm TERMINAL</p>	<p>FORD-PN: XF-2T-14474-CA F8VB-14474-AA F8VB-14474-AA XF-2T-14474-BA</p>	

1.3.4 TERMINALS FOR 13 POS. MALE CONNECTOR

<p>GENERATION Y 0.64mm TERMINAL</p>	<p>TE-PN: 0-1924275-5 0-1924275-1 0-1924275-2</p>	
<p>Molex 1.5mm Terminal</p>	<p>FORD-PN: 2L1T-14421-DA 2L1T-14421-CA 2L1T-14421-BA 4L2T-14421-AA 2L1T-14421-GA 2L1T-14421-FA 2L1T-14421-EA 7U5T-14421-CA 7U5T-14421-BA 7U5T-14421-AA</p>	
<p>Yazaki 1.5mm Terminal</p>	<p>FORD-PN: 97-BG-14421-AAB 97-BG-14421-ABB 97-BG-14421-ACB 97-BG-14421-AFA 97-BG-14421-AGA</p>	
<p>APEX 2.8mm TERMINAL</p>	<p>FORD-PN: 8U5T-14421-CA 8U5T-14421-DA 8U5T-14421-EA 8U5T-14421-BA</p>	

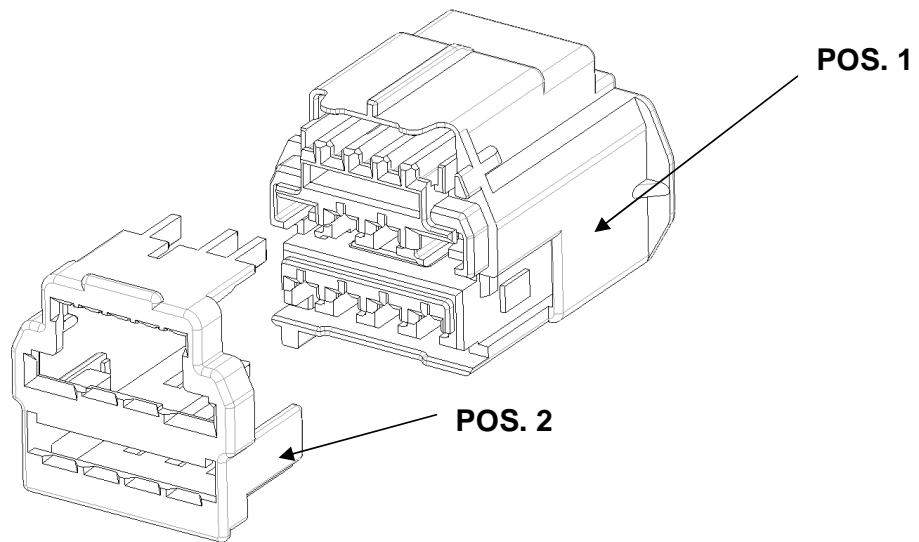
2 CONNECTOR OVERVIEW

2.1 OVERVIEW

ASSY FEMALE 13 POS. CONNECTOR

POS 1: FEMALE HOUSING

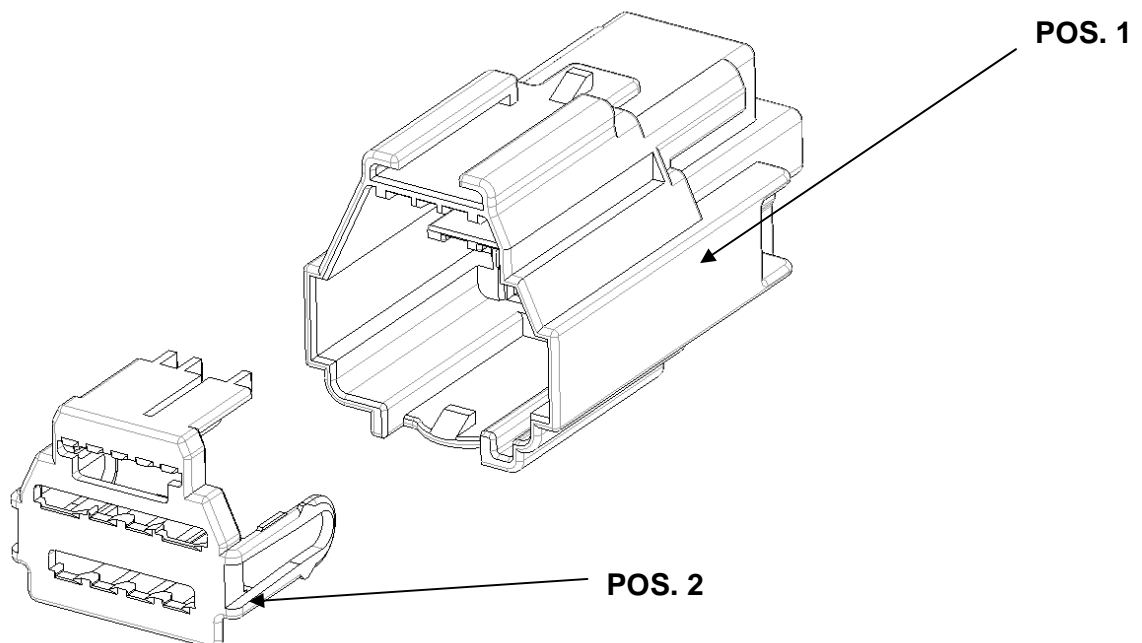
POS 2: FEMALE SPACER



ASSY MALE 13 POS. CONNECTOR

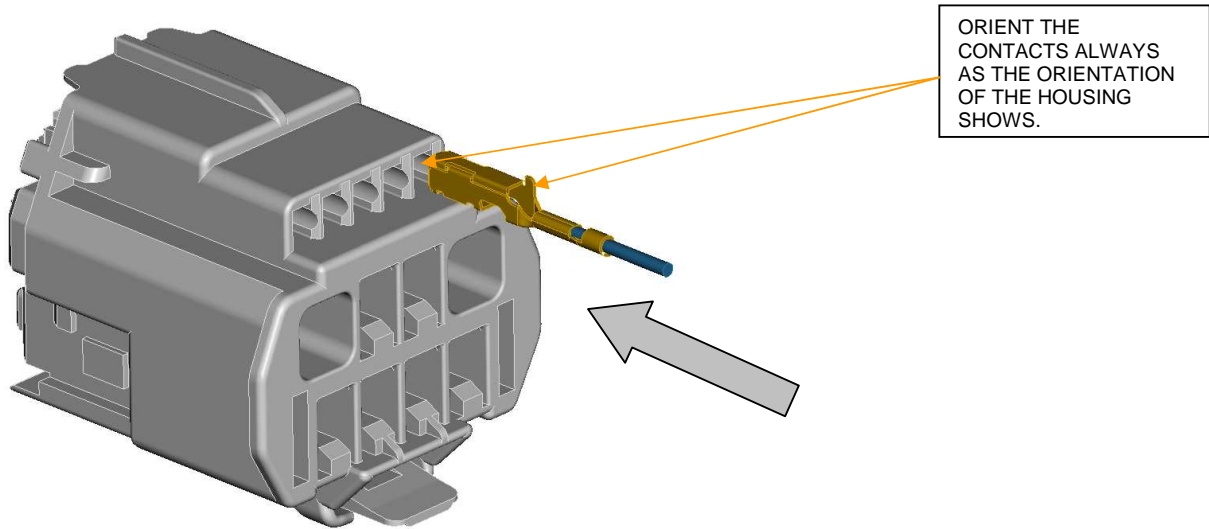
POS 1: MALE HOUSING

POS 2: MALE SPACER

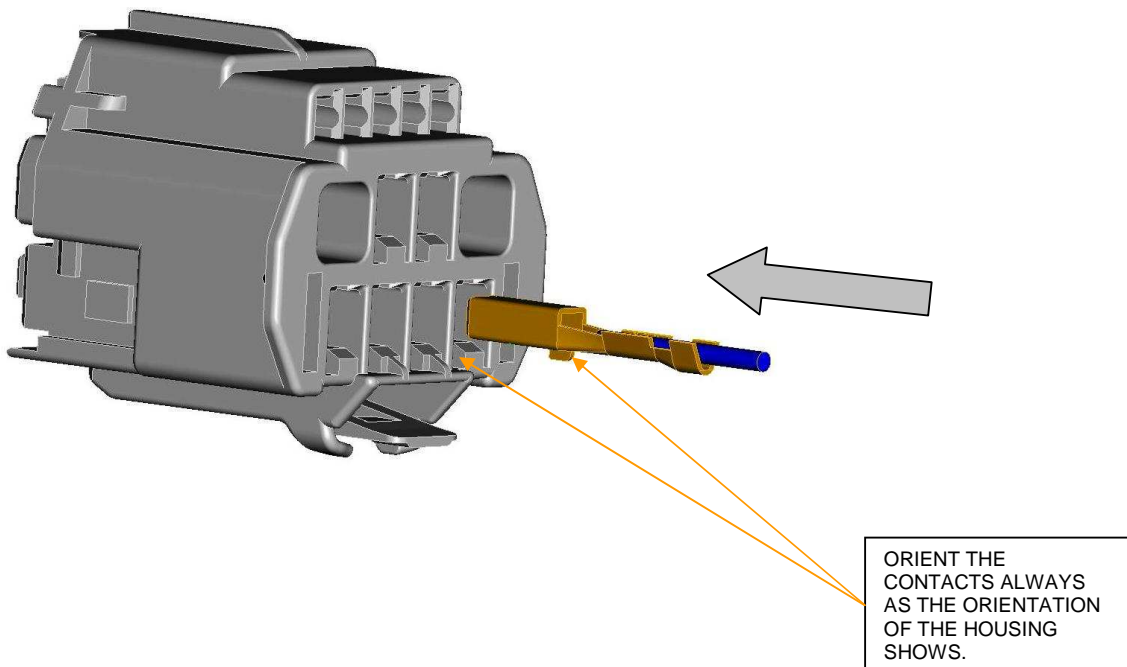


2.2 TERMINAL INSERTION INSTRUCTIONS FOR FEMALE TERMINALS

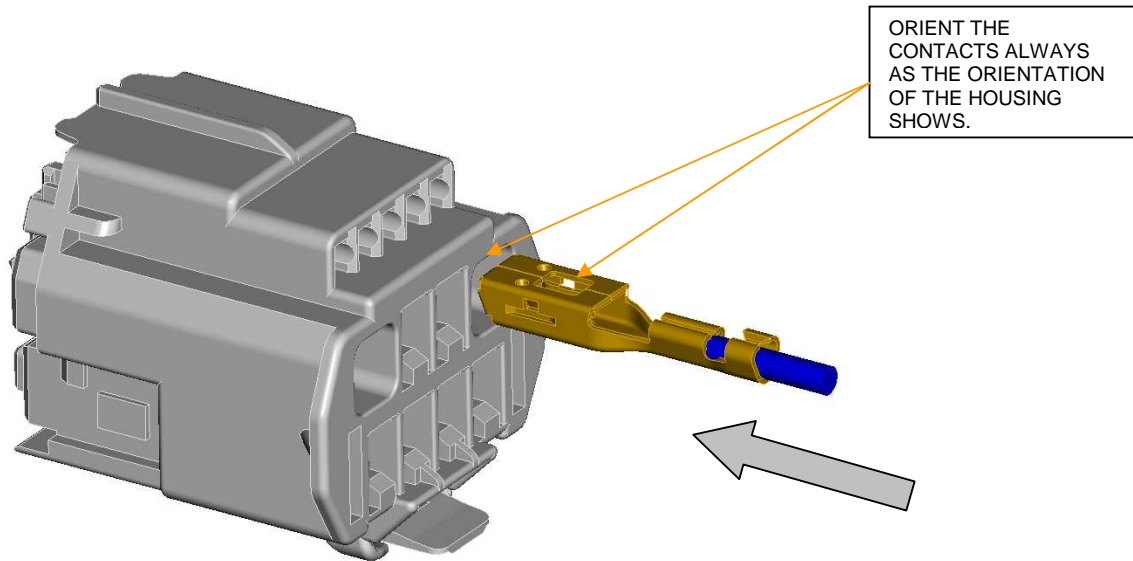
GENERATION Y 0,64



YAZAKI 1,5 / MOLEX 1,5

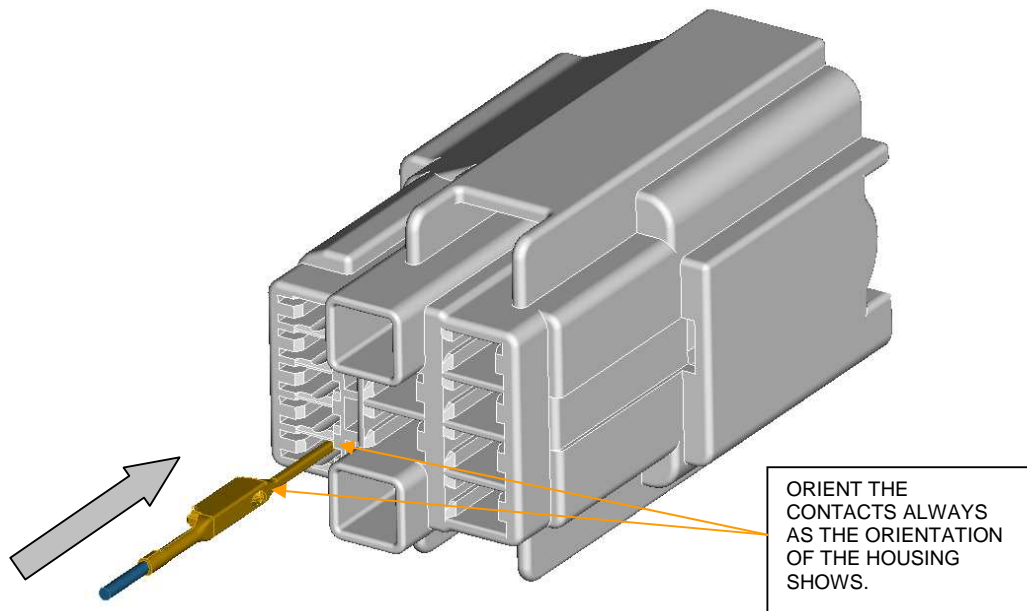


APEX 2,8

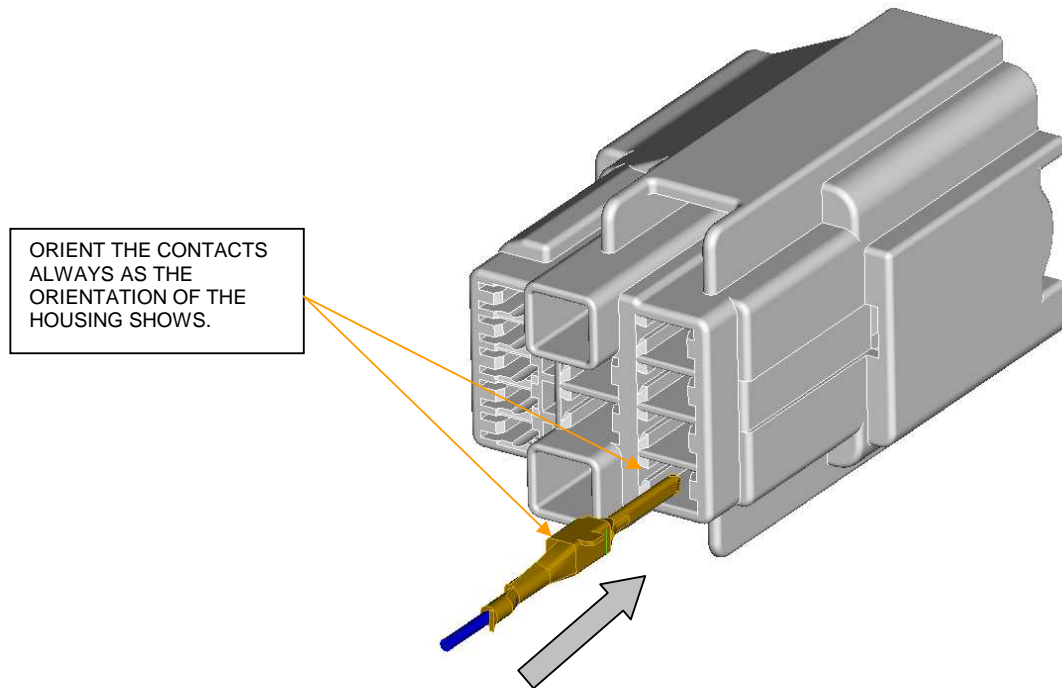


TERMINAL INSERTION / REMOVAL INSTRUCTIONS FOR MALE TERMINALS

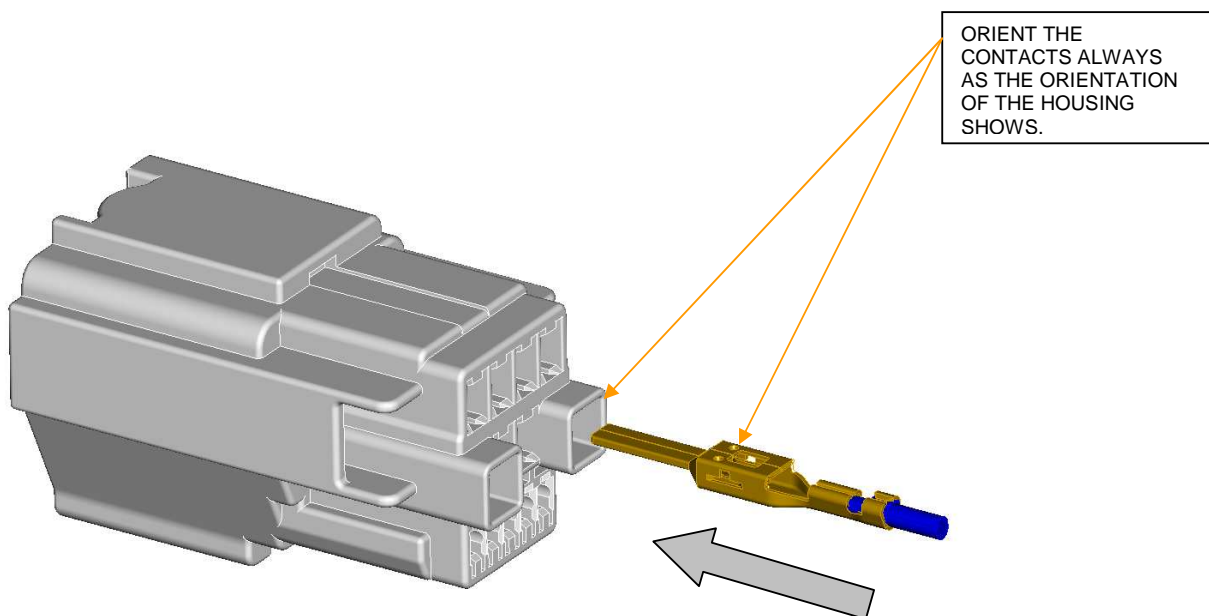
GENERATION Y 0,64



YAZAKI 1,5 / MOLEX 1,5



APEX 2,8



PUSH ALL TERMINALS INTO THE CONNECTOR UNTIL THE LOCKING IS FELT OR HEARD BY AN AUDIBLE CLICK

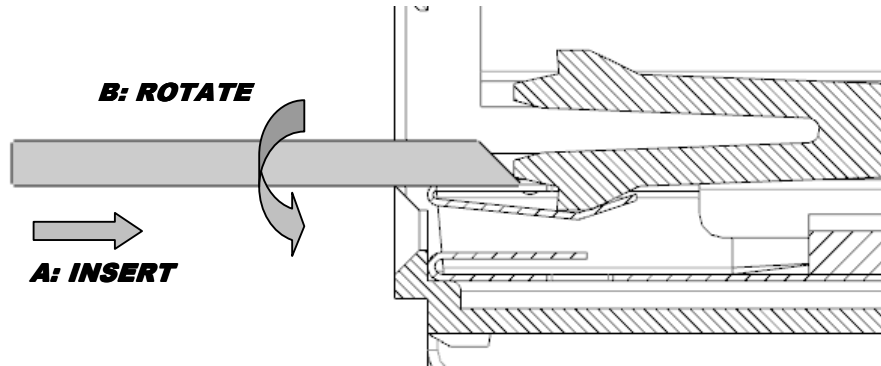
ALL FEMALE TERMINALS REMOVAL INSTRUCTIONS

TPA (SPACER) MUST BE REMOVED BEFORE CONTACT UNMOUNTING

A

POSITION

THE EXTRACTION TOOL TO LOCKING FINGER



B: ROTATE

A: INSERT

C

PULL OUT

THE TERMINALS WHILE THE LOCKING FINGER IS RELEASED (STEP "B")



C: PULL OUT

B

ROTATE

EXTRACTION TOOL TO RELEASE THE LOCKING FINGER

EXTRACTION TOOLS FOR MALE TERMINALS:

- GENERATION Y 0.64 - TE-NO. 1452426-1
- YAZAKI 1,5 / MOLEX 1,5 - TE-NO. 1452426-1
- APEX 2.8 - TE-NO. 1452426-1

ALL MALE TERMINALS REMOVAL INSTRUCTIONS

TPA (SPACER) MUST BE REMOVED BEFORE CONTACT UNMOUNTING

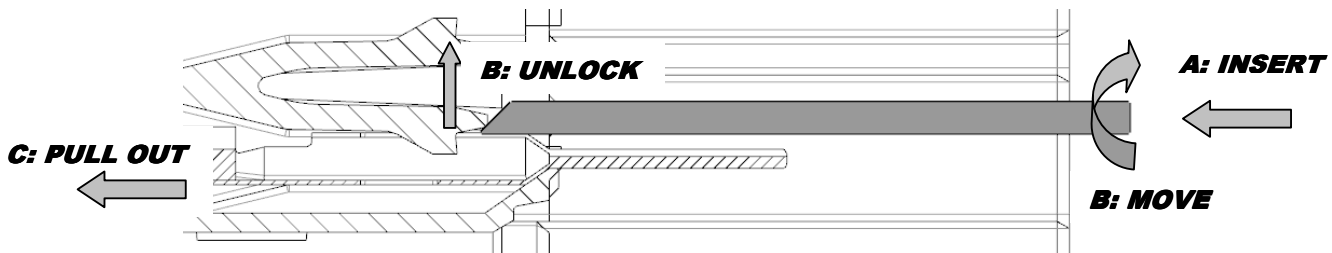
C

PULL OUT

THE TERMINALS WHILE THE LOCKING FINGER IS RELEASED (STEP "B")

A

POSITION- THE EXTRACTION TOOL TO LOCKING FINGER AS SHOWN .



B: UNLOCK

A: INSERT

C: PULL OUT

B: MOVE

EXTRACTION TOOLS FOR MALE TERMINALS:

- GENERATION Y 0.64 - TE-NO. 1452426-1
- YAZAKI 1,5 / MOLEX 1,5 - TE-NO. 1452426-1
- APEX 2.8 - TE-NO. 1452426-1

B

MOVE – THE EXTRACTION TOOL SIDEWARDS TO RELEASE THE LOCKING FINGER.

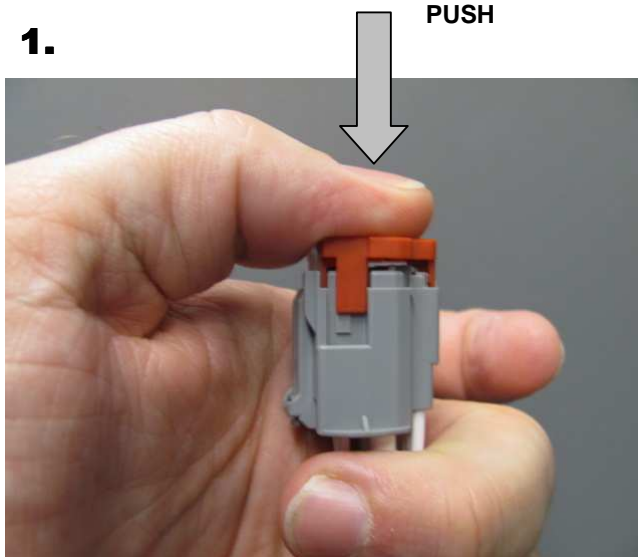
2.3 APPLICABLE WIRES

PLEASE ALSO SEE THE CUSTOMER DRAWINGS

2.4 TPA - (SPACER) INSERTION / REMOVAL INSTRUCTION

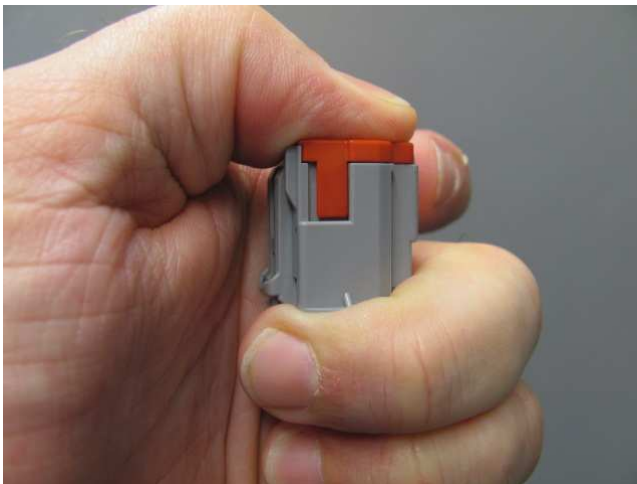
FEMALE HOUSING

1.



DELIVERY CONDITION OF THE FEMALE CONNECTOR WITH THE FRONT LOADED TPA (SPACER) IN PRESET POSITION. THE FRONT LOADED TPA (SPACER) IS ELEVATED.

DO NOT PUSH THE SPACER FURTHER THAN THIS POSITION BEFORE CONTACT MOUNTING

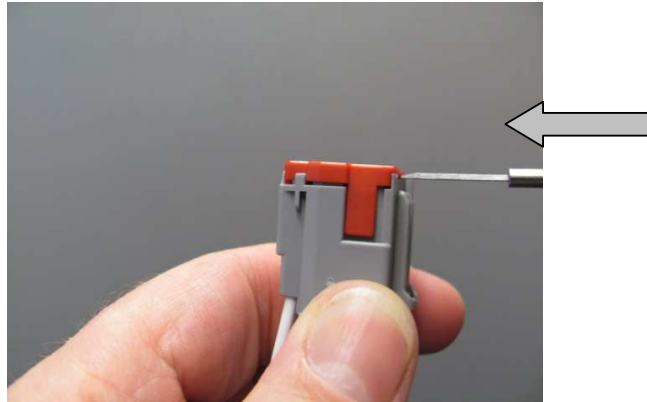


AFTER CONTACT MOUNTING, THE SPACER SHOULD BE PUSHED IN END POSITION. THE FRONT LOADED TPA (SPACER) IS FULLY INSERTED.

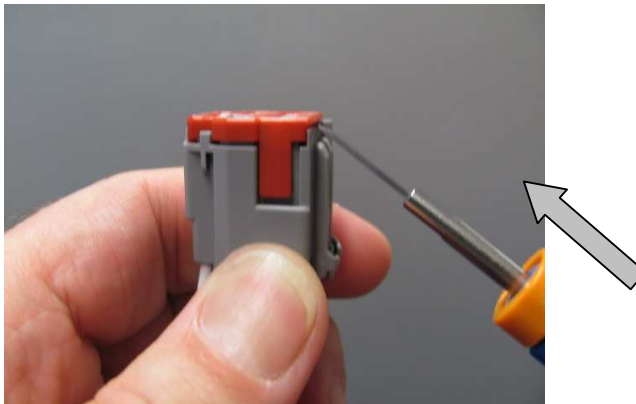
REMOVAL OF THE SPACER FROM FEMALE HOUSING

INSERT THE SCREW DRIVER OR THE EXTRACTION TOOL 1452426-1 AS SHOWN
TO UNLOCK / LIFT THE SPACER

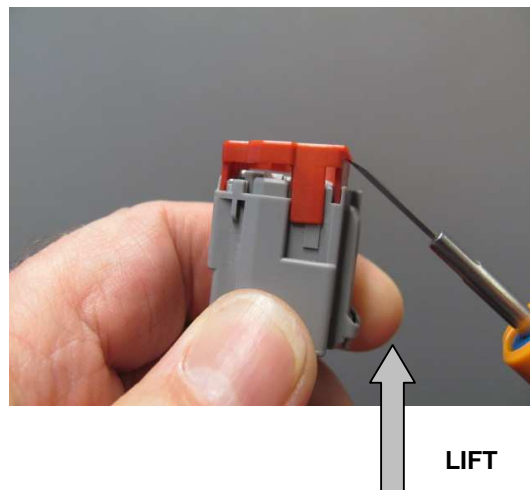
1.

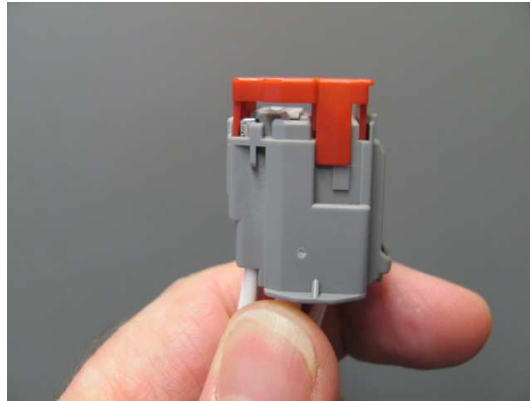


2.



3.





**PICTURE SHOWS THE TPA
(SPACER)
IN PRE-LOCK POSITION**

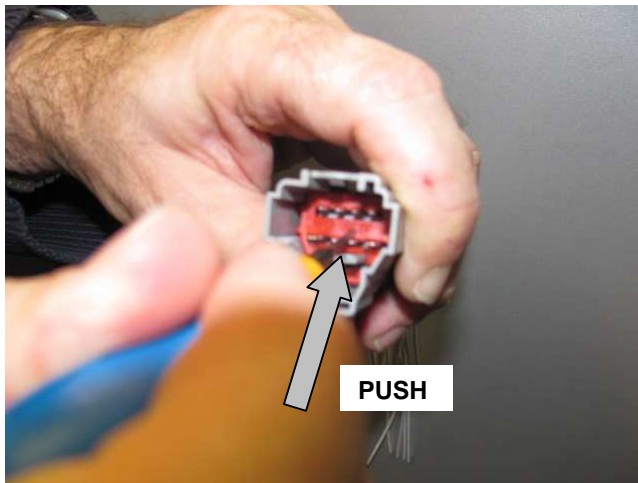
**REMOVE THE SECONDARY LOCK BY USING THE EXTRACTION TOOL 1452426-1
OR A SMALL SCREWDRIVER.**

MALE HOUSING

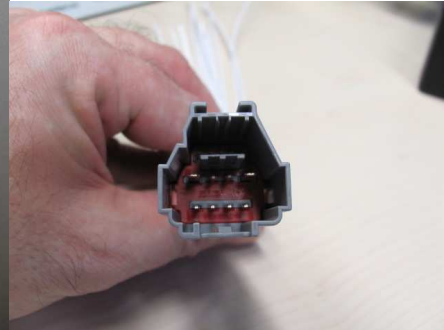


**DELIVERY CONDITION OF THE FEMALE
CONNECTOR WITH THE
FRONT LOADED TPA (SPACER) IN PRESET
POSITION.
THE FRONT LOADED TPA (SPACER) IS
ELEVATED.**

DO NOT PUSH THE SPACER FURTHER THAN THIS POSITION BEFORE CONTACT MOUNTING

1.

**AFTER CONTACT MOUNTING,
THE SPACER SHOULD BE PUSHED IN
END POSITION. THE FRONT LOADED
TPA (SPACER) IS FULLY INSERTED.**



**PLEASE DO NOT DAMAGE THE TABS DURING SPACER INSERTION TO END-LOCK POSITION.
RECOMANDATION: TOOL WITH NO SHARP EDGES!**

**FOR REMOVING THE TERMINALS THE SECONDARY LOCKS HAVE TO
BE REMOVED COMPLETELY.**

REMOVAL OF THE SPACER FROM MALE HOUSING

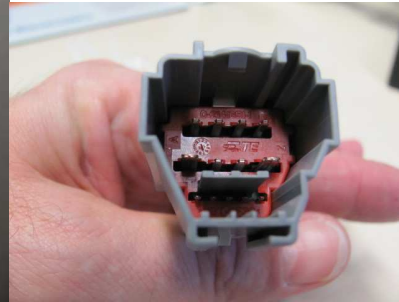
1.

**INSERT THE SCREW DRIVER
OR THE EXTRACTION TOOL AS
SHOWN TO UNLOCK / LIFT THE
TPA (SPACER)**

2.



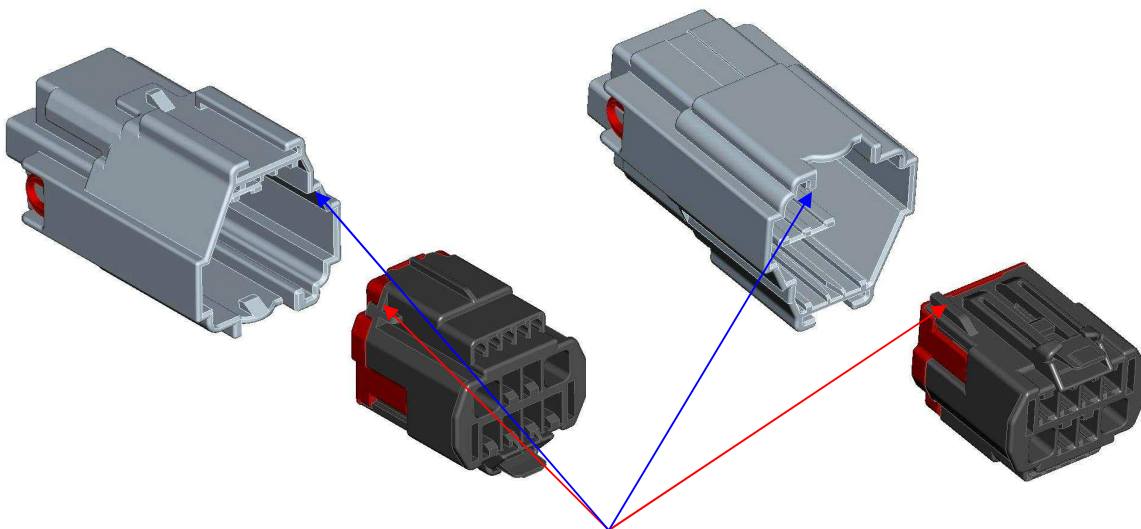
**PICTURES SHOWS THE
TPA (SPACER)
IN PRE-LOCK POSITION**



**REMOVE THE SECONDARY LOCK BY USING THE EXTRACTION TOOL 1452426-1
OR A SMALL SCREWDRIVER.**

FOR REMOVING THE TERMINALS THE SECONDARY LOCKS HAVE TO BE REMOVED COMPLETELY.

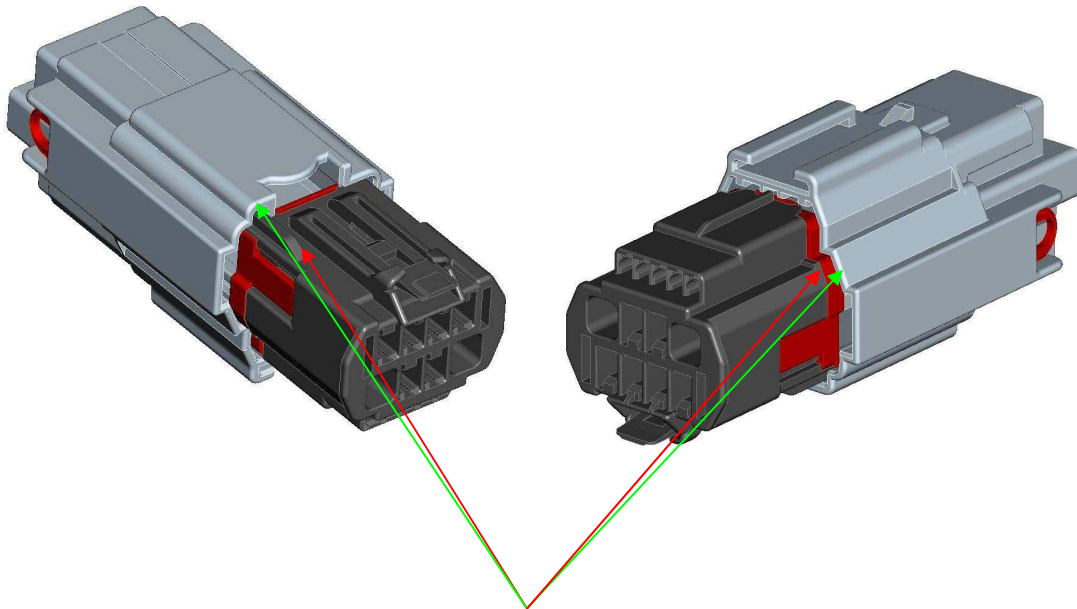
3. MATING AND UNMATING OF THE 13 POS. CONNECTORS



**POLARISATION FEATURES
(MECHANICAL AND COLOUR KEYING)**

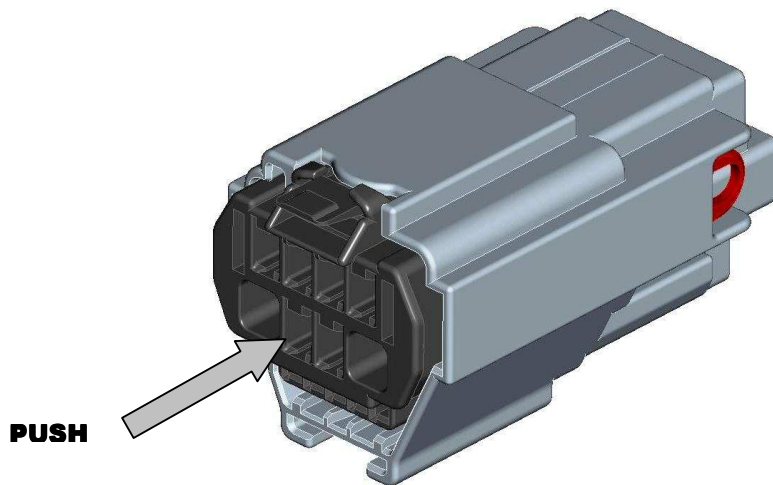
3.1 MATING OF THE CONNECTORS

1.



POLARISATION FEATURES

2.



MATE THE CONNECTORS SUCH AS THE
POLARISATION FEATURES FIT TOGETHER
UNTIL IT STOPS
(PRE-LOCKED POSITION)

DO NOT BEND THE WIRES DURING ASSEMBLY! DO NOT MATE PARTS BY PUSHING ON WIRES! MATING FORCE SHOULD BE APPLIED ON HOUSINGS.

3.2 UNMATING OF THE CONNECTOR WITH THE HEADER

