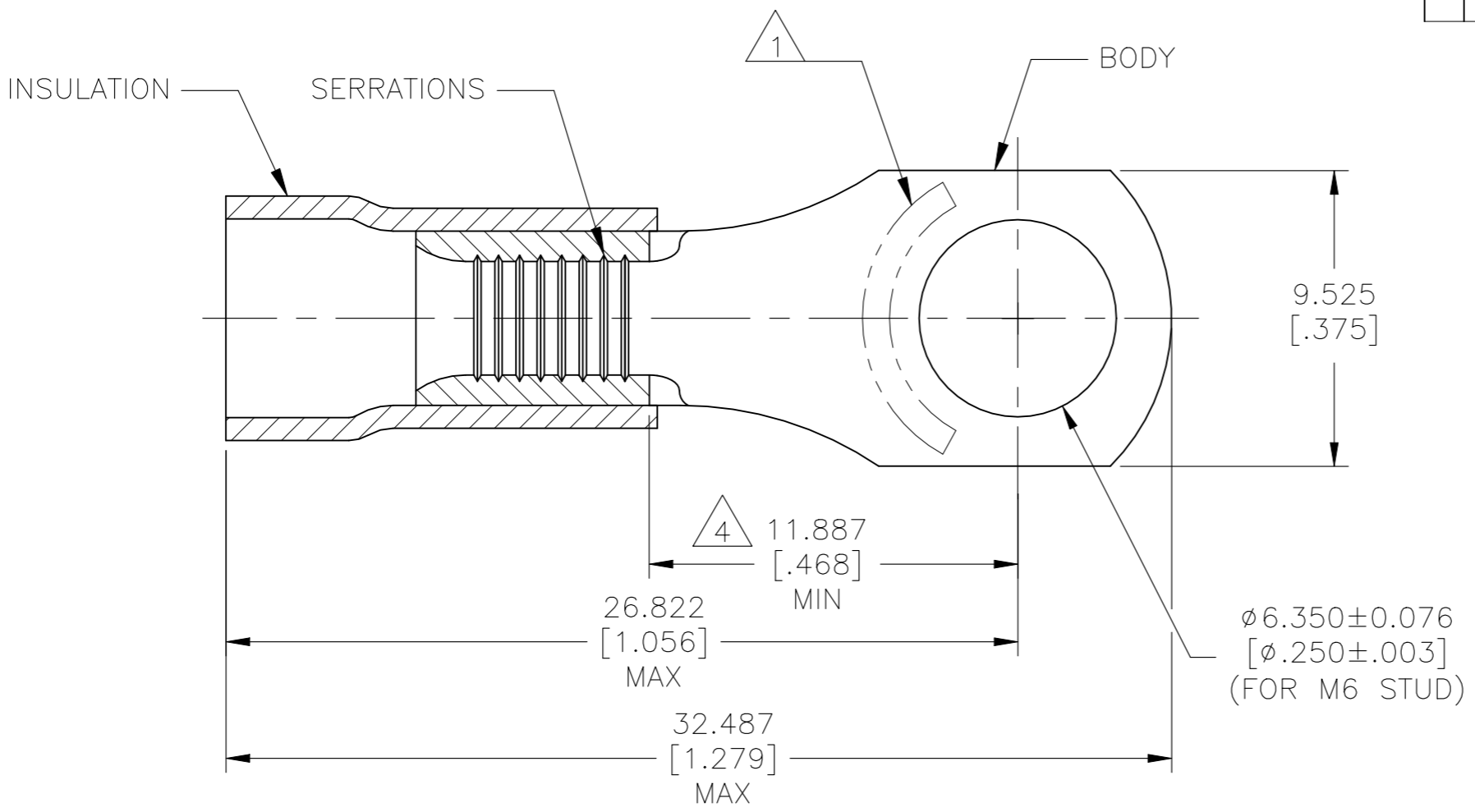


© - TE Connectivity. All Rights Reserved.

REVISIONS				
P	LTR	DESCRIPTION	DATE	APVD
	B3	REVISED PER ECR-22-161283	22JAN2023	LP DSC



- 1 STAMP "AMP 12-10*", LOCATED APPROX AS SHOWN.
- 2 MATERIAL:
BODY - COPPER PER ASTM B152
INSULATION - VINYL
- 3 FINISH:
BODY - TIN PLATE 0.00254[.000100] MIN
EXT THK PER ASTM B545
INSULATION COLOR - YELLOW
- 4 APPLIES FROM EDGE OF METAL WIRE BARREL TO CENTER OF STUD HOLE.
- 5 WIRE INSULATION DIAMETER:
 $\phi 3.810[\phi .150]$ TO $\phi 6.350[\phi .250]$
- 6 BODY MATERIAL THK: $0.965 \pm 0.051[.038 \pm .002]$

130699
PART NUMBER

AMP INCORPORATED CUSTOMER SERVICE SYSTEMS		MAX RECOMMENDED OPERATING TEMPERATURE: 105°C [221°F]	THIS DRAWING IS A CONTROLLED DOCUMENT.		DWN JR RUTH 25FEB10	TE Connectivity			
FOR ADDITIONAL PRODUCT INFORMATION OR COPIES OF DRAWINGS AND TECHNICAL DOCUMENTS	PRODUCT INFORMATION CENTER 1-800-522-6752	VOLTAGE RATING: 600V MAX	DIMENSIONS: mm [INCHES]	TOLERANCES UNLESS OTHERWISE SPECIFIED:	CHK TOM MICHIELUTTI 25FEB10				
FOR APPLICATION TOOLING INFORMATION	TOOLING ASSISTANCE CENTER 1-800-722-1111	CIRCULAR MIL AREA: 2.62-6.64mm² [5,180-13,100] SOLID OR STRANDED		0 PLC ± - 1 PLC ± - 2 PLC ± - 3 PLC ± 0.127[.005] 4 PLC ± - ANGLES ± -	APVD TOM MICHIELUTTI 25FEB10	APPLICATION SPEC 114-2161			
FOR ORDER ENTRY	1-800-526-5142		MATERIAL	FINISH	PRODUCT SPEC -	SIZE A3	CAGE CODE 00779	DRAWING NO C-130699	RESTRICTED TO -
CUSTOMER DRAWING					WEIGHT -	SCALE 5:1	SHEET 1 OF 1	REV B3	