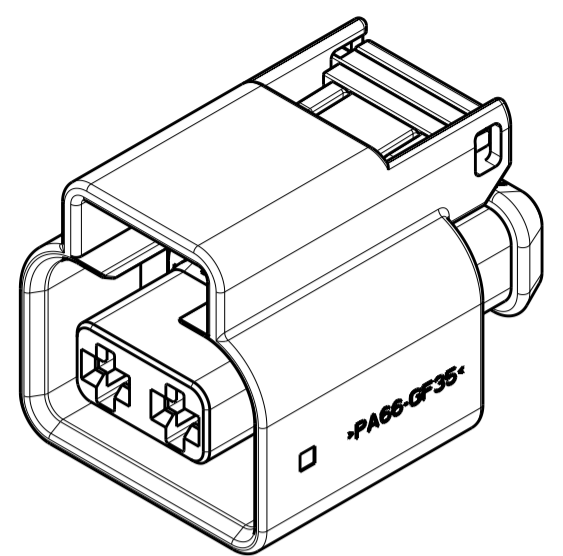
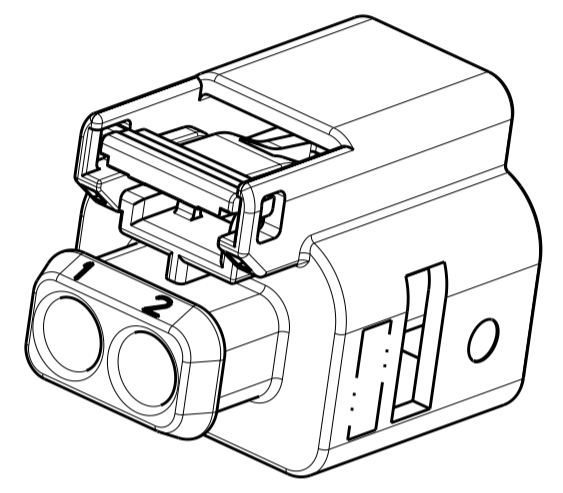


THIS DRAWING IS UNPUBLISHED. RELEASED FOR PUBLICATION 20
 © COPYRIGHT 20 BY TYCO ELECTRONICS CORPORATION. ALL INTERNATIONAL RIGHTS RESERVED.

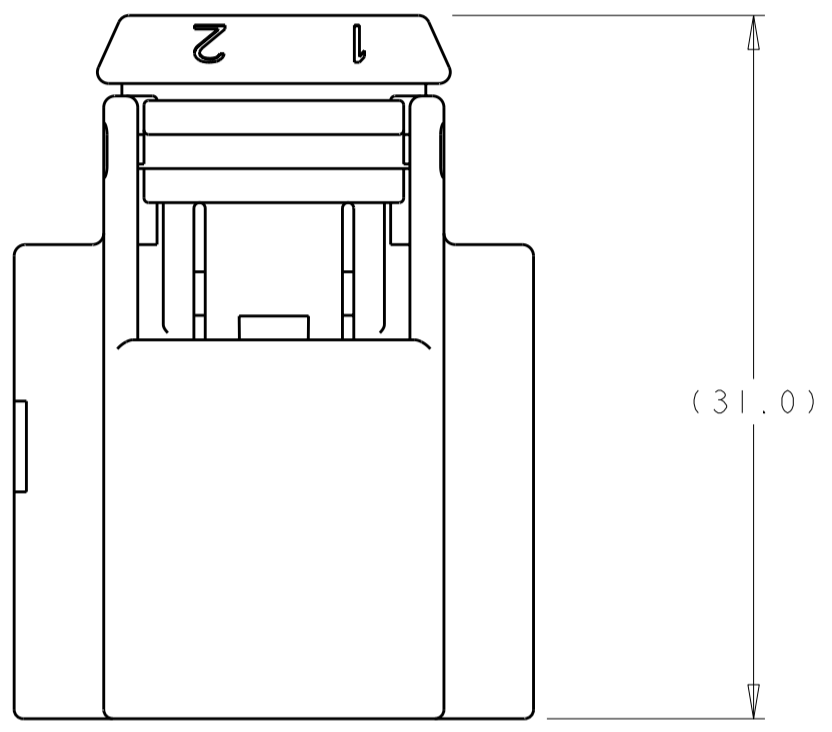
LOC		DIST		REVISIONS			
P	LTR	DESCRIPTION	DATE	DWN	APVD		
4		REVISED PER ECO-08-031324	16DEC2008	DD	TW		
5		REVISED PER ECO-10-001005	20JAN2010	DD	TW		
6		REVISED PER ECO-10-003029	10FEB2010	DD	TW		
A		RELEASED PER ECO-10-006107	24MAR2010	DD	TW		



SCALE 2:1

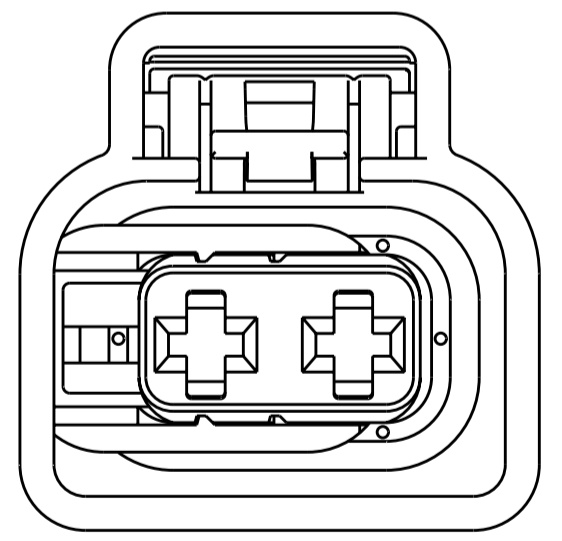
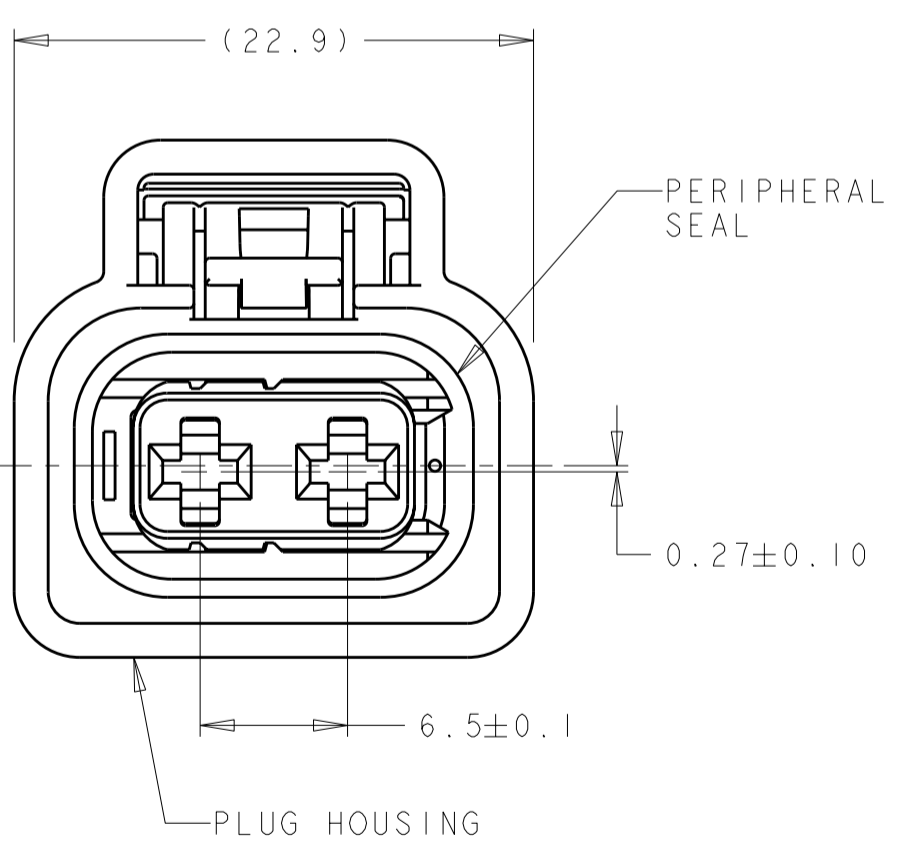
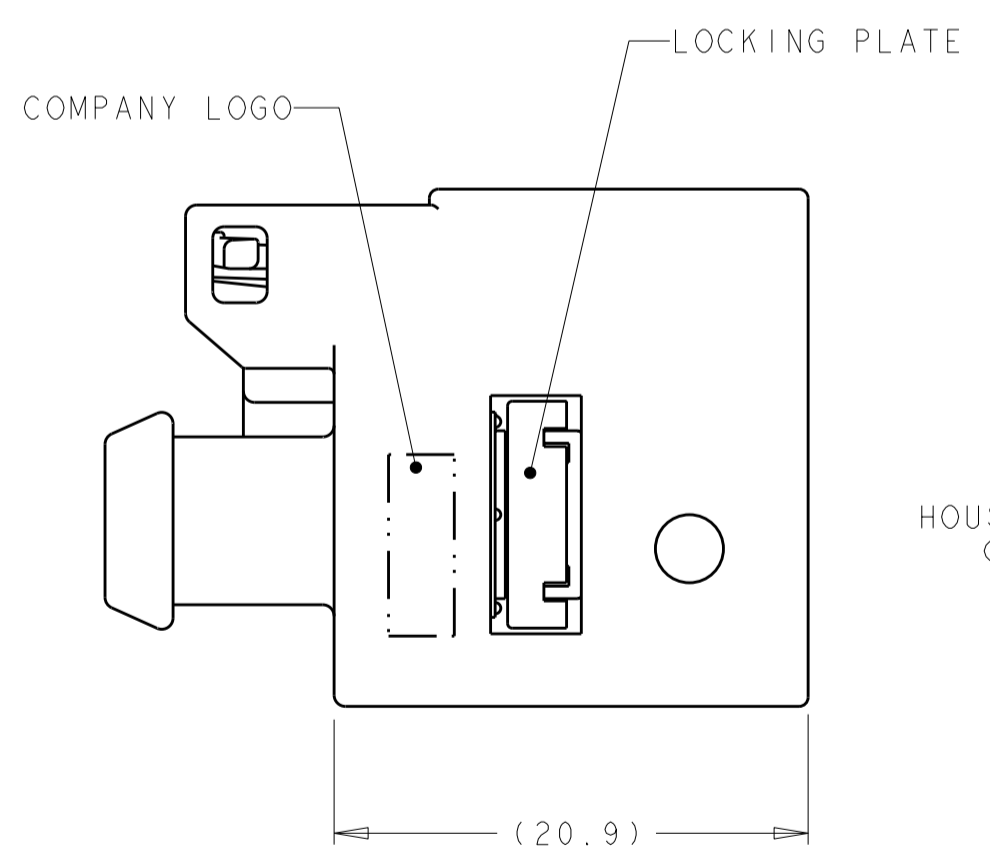


SCALE 2:1



⚠ MATERIAL: HOUSING - POLYAMIDE MOLDING COMPOUND, 35% GLASS FILLED, COLOR: BLACK.
 LOCKING PLATE - POLYESTER MOLDING COMPOUND, 15% GLASS FILLED, COLOR: YELLOW.
 PERIPHERAL SEAL - VMQ SILICONE RUBBER, 40 SHORE, COLOR: BURNT ORANGE.

- CONTACT CIRCUITS DESIGNED TO RECEIVE TYCO ELECTRONICS (TE) 2.8 MCP RECEPTACLES AND WIRE SEALS. REFER TO TYCO C1355036. WIRE SIZES ACCOMODATED BY THIS DESIGN RANGE FROM 18AWG (0.8mm²) TO 14AWG (2.0mm²).
- NOTE DELETED.
- MATES WITH 2 POSITION CAP ASSEMBLY, TE PN 1326743-1, AND WIRE DRESS, TE PN 1326459-1.
- MATES WITH A CONNECTOR THAT CONFORMS TO THE REQUIREMENTS DEFINED IN SAE J2577 SEP 05. (TESTING UTILIZED AG PLATED PLUG RECEPTACLES AN SN PLATED CAP BLADES.)



(LOCKING PLATE SHOWN IN PRE-LOCK POSITION)

(LOCKING PLATE SHOWN IN LOCKED POSITION)

1326455-1
PART NUMBER

<small>THIS DRAWING IS A CONTROLLED DOCUMENT FOR TYCO ELECTRONICS CORPORATION IT IS SUBJECT TO CHANGE AND THE CONTROLLING ENGINEERING ORGANIZATION SHOULD BE CONTACTED FOR THE LATEST REVISION.</small>		DWN B. HOLTZCLAW 23MAY2006 CHK TOM WOJTACKI 23MAY2006 APVD TOM WOJTACKI 23MAY2006	Tyco Electronics Harrisburg, PA 17105-3608
DIMENSIONS: mm 	TOLERANCES UNLESS OTHERWISE SPECIFIED: 0 PLC ±- 1 PLC ±0.3 2 PLC ±0.2 3 PLC ±- 4 PLC ±- ANGLES ±- FINISH ±-	PRODUCT SPEC 108-2430 APPLICATION SPEC - WEIGHT -	NAME ASSEMBLY, PLUG, SEALED, 2 POSITION MCP 2.8 SIZE A20779 CAGE CODE C-1326455 DRAWING NO 1326455 RESTRICTED TO -
MATERIAL ⚠ -		CUSTOMER DRAWING SCALE 3:1 SHEET 1 OF 1 REV A	