

THIS DRAWING IS UNPUBLISHED. RELEASED FOR PUBLICATION NOV ,2005.

© COPYRIGHT 2005 By - ALL RIGHTS RESERVED.

LOC	DIST	REVISIONS					
E	B	P	LTR	DESCRIPTION	DATE	DWN	APVD
		D		ECR-14-015173	31DEC2014	RZ	MY

NOTES:

1 PACKAGE ONE COMPLETE CONNECTOR IN HEAT SEALED, LABELED BAG/ 200 PCS PER SHIPPING BOX. LABELED PER TEC-107-115.

2 100 TRAY PACK IN ACCORDANCE WITH AMP SPEC 107-3275

3 Ag PLATING

4 Zn PLATING

5 THIS ITEM MUST BE WHITE

6 HAND TOOL : 9-1478240-0

7 DIE SET : 9-1478245-0

8 ELECTRICAL CHARACTERISTICS

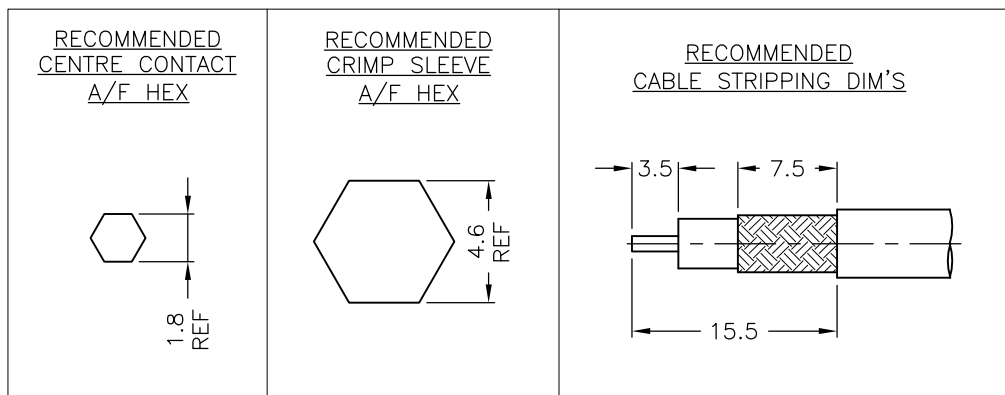
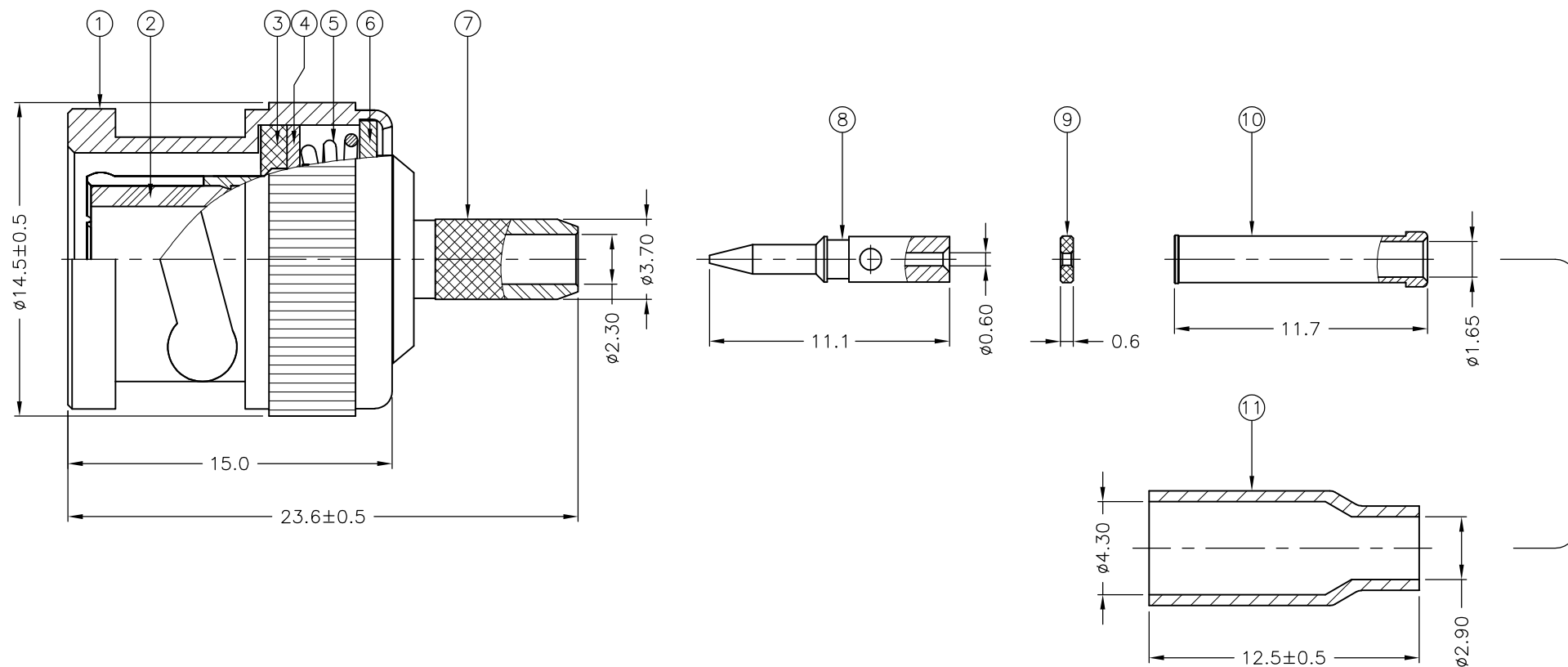
FREQUENCY RANGE:	DC - 4 GHz
NOMINAL IMPEDANCE:	50 Ohm
INSULATION RESISTANCE:	5000 MOhm
WORKING VOLTAGE:	500 Volts RMS at Sea Level
DIELECTRIC WITHSTAND VOLTAGE:	1500 Volts RMS Max
CONTACT RESISTANCE:	
CENTER CONTACT:	1.50 mOhm Max
OUTER CONTACT:	1.00 mOhm Max
VSWR @ 4GHz:	1.30:1 Max
INSERTION LOSS dB @ x 3 GHz:	0.20 Max

9 MECHANICAL CHARACTERISTICS

COUPLING NUT RETENTION FORCE:	266N Min
CABLE RETENTION FORCE:	43.5 N Min
DURABILITY:	500 Cycles Min

10 ENVIRONMENTAL CHARACTERISTICS

OPERATING TEMPERATURE:	-65 to +165 DegC
------------------------	------------------



QTY	ASSEMBLY	MATERIAL	DESCRIPTION	ITEM
1	1	BRASS	FERRULE	11
1	1	BRASS	SLEEVE	10
1	1	PTFE	INSULATION	9
1	1	BRASS	CONTACT	8
1	1	BRASS	BODY	7
1	1	SK5	WASHER	6
1	1	SPRING STEEL	SPRING	5
1	1	SK5	WASHER	4
1	1	SILICON RUBBER	GASKET	3
1	1	PTFE	INSULATION	2
1	1	BRASS	SHELL	1
6--0	1--0	MATERIAL	DESCRIPTION	ITEM

THIS DRAWING IS A CONTROLLED DOCUMENT.		DWN	J.SANDWELL	21NOV05
DIMENSIONS: mm		CHK	S.PARLOW	21NOV05
TOLERANCES UNLESS OTHERWISE SPECIFIED:		APVD	F.WHEELER-KING	21NOV05
0 PLC	± -	NAME		
1 PLC	± 0.2	108-112000		
2 PLC	± 0.1	PRODUCT SPEC		
3 PLC	± -	APPLICATION SPEC		
4 PLC	± -	SIZE		
ANGLES	± -	CAGE CODE		
MATERIAL	FINISH	DRAWING NO		
SEE TABLE	-	A300779 C-1337430		
CUSTOMER DRAWING		WEIGHT		RESTRICTED TO
		-		-
		SCALE		SHEET
		NTS		1 OF 2
		REV		D



BNC STRAIGHT PLUG CRIMP 50 OHM  
 RG174A/U, 188A/U, 316/U, URM95, KX3B, KX22A

THIS DRAWING IS UNPUBLISHED.

RELEASED FOR PUBLICATION

NOV , 2005.

LOC

DIST

REVISIONS

© COPYRIGHT 2005 By -

ALL RIGHTS RESERVED.

E

B

P

LTR

DESCRIPTION

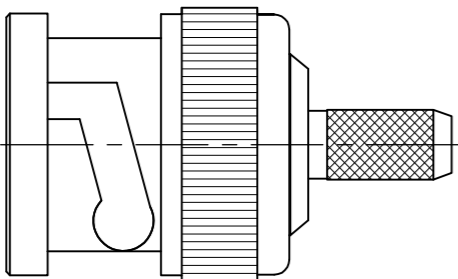
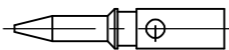

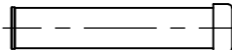
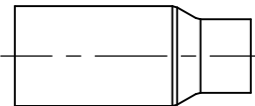
DATE

DWN

APVD

SEE SHEET 1

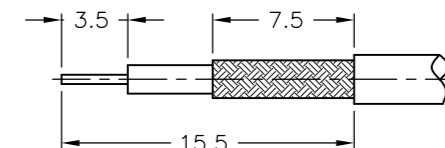
COMPONENTS

MAIN BODY (ITEM 1, 2, 3, 4, 5, 6, 7)	CENTER CONTACT (ITEM 8)	DIELECTRIC (ITEM 9)	SLEEVE (ITEM 10)	FERRULE (ITEM 11)
				

ASSEMBLY INSTRUCTIONS

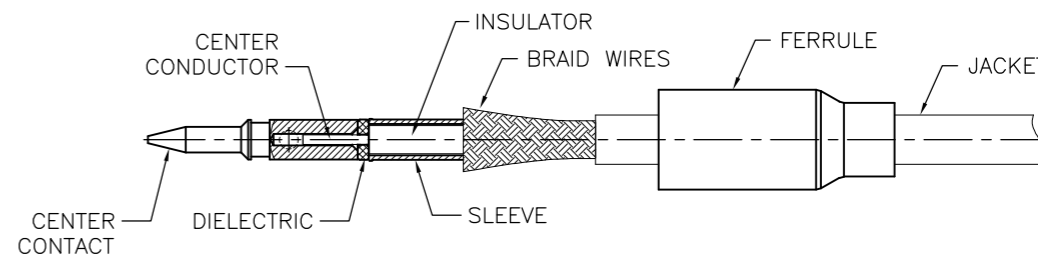
STEP 1: PREPARATION OF CABLE

1. TRIM CABLE TO DIMENSIONS SHOWN. BE CAREFUL TO AVOID NICKING THE BRAID.
2. REMOVE ANY RESIDUAL PLASTIC FROM CENTER CONDUCTOR.



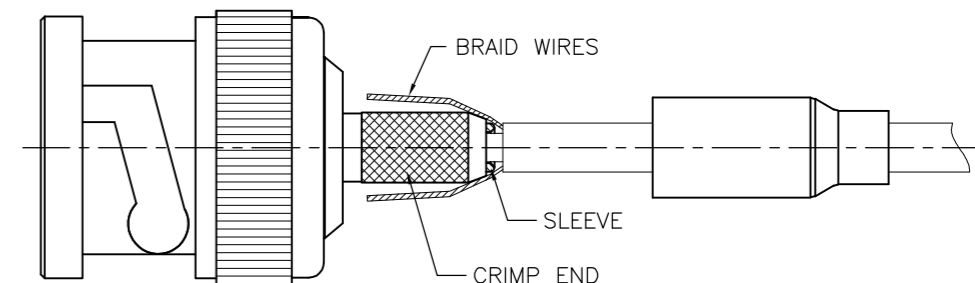
STEP 2: ASSEMBLE FERRULE, SLEEVE, DIELECTRIC AND CENTER CONTACT

1. SLIDE FERRULE ONTO THE JACKET OF CABLE.
2. SLIDE SLEEVE ONTO THE INSULATOR OF CABLE AND FLARE THE BRAID WIRES ON SLEEVE.
3. SLIDE DIELECTRIC ONTO THE CENTER CONDUCTOR OF CABLE.
4. SOLDERING OR CRIMP CENTER CONTACT WITH CABLE.



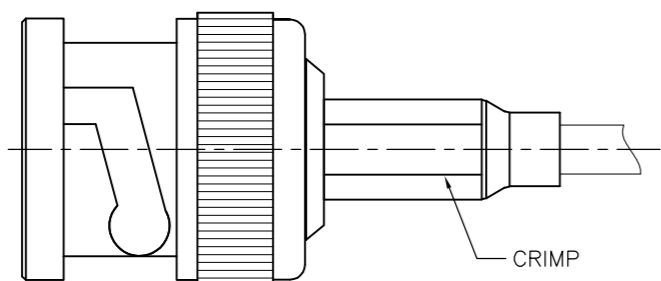
STEP 3: ASSEMBLY WITH BODY

1. INSERT STEP 2 CABLE ASSEMBLY INTO CONNECTOR BODY AND FLARE THE BRAID WIRES ON THE CRIMP END OF BODY.



STEP 4: CRIMP FERRULE

1. SLIDE FERRULE ON THE BRAID WIRES AND CRIMP FERRULE.



THIS DRAWING IS A CONTROLLED DOCUMENT.

DWN J.SANDWELL 21NOV05

CHK S.PARLOW 21NOV05

APVD F.WHEELER-KING 21NOV05

PRODUCT SPEC 108-112000

APPLICATION SPEC


WEIGHT -

CUSTOMER DRAWING



BNC STRAIGHT PLUG CRIMP 50 OHM  
RG174A/U, 188A/U, 316/U, URM95, KX3B, KX22A

SIZE	CAGE CODE	DRAWING NO	RESTRICTED TO
A3	00779	C-1337430	-

DIMENSIONS:	TOLERANCES UNLESS OTHERWISE SPECIFIED:
mm	
	0 PLC ± -
	1 PLC ± -
	2 PLC ± -
	3 PLC ± -
	4 PLC ± -
	ANGLES ± -
	FINISH ± -

MATERIAL SEE TABLE

SCALE NTS SHEET 2 OF 2 REV D