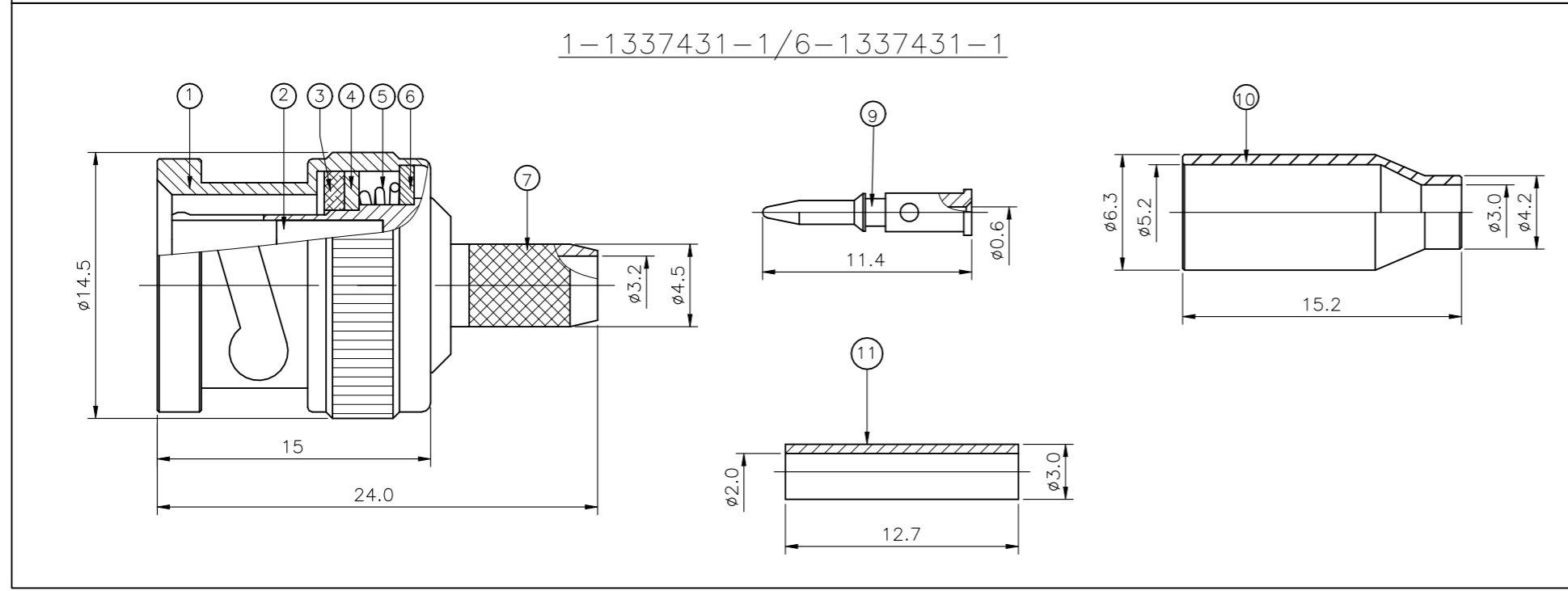
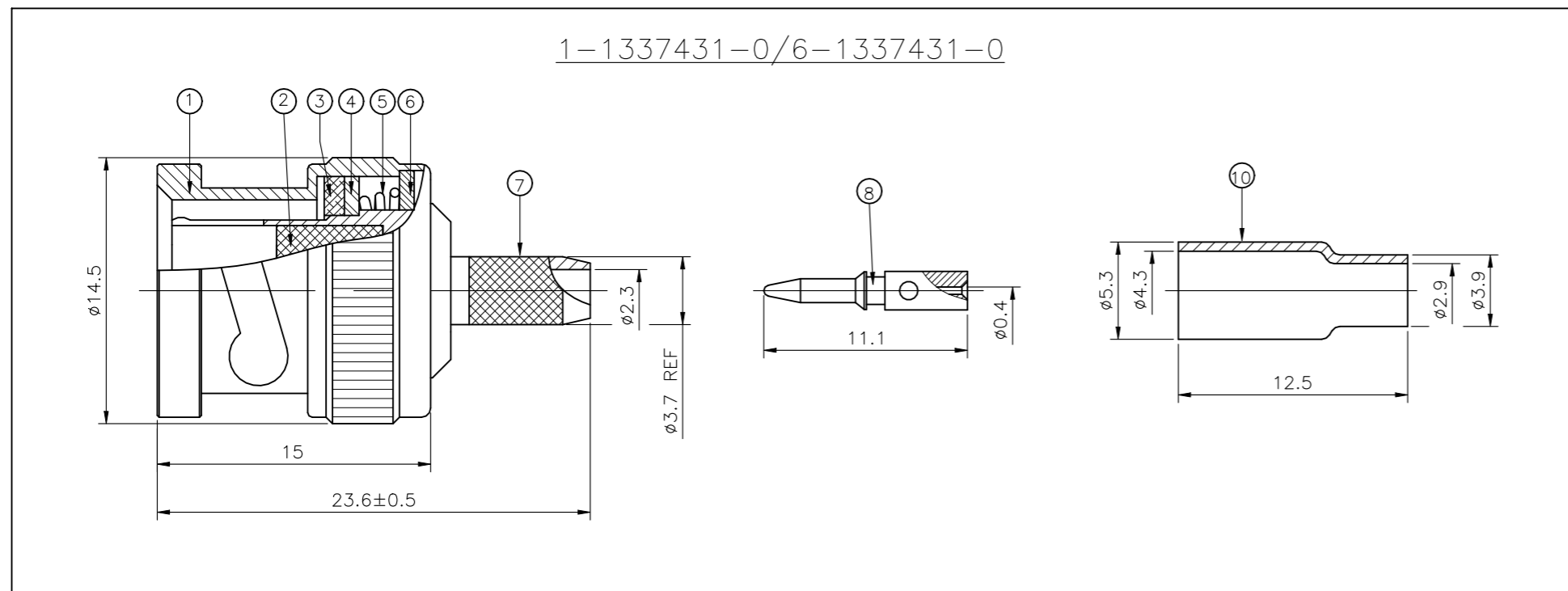


THIS DRAWING IS UNPUBLISHED. RELEASED FOR PUBLICATION SEPT , 2005.
 © COPYRIGHT 2005 By -- ALL RIGHTS RESERVED.

REVISIONS				
P	LTR	DESCRIPTION	DATE	APVD
E		REVISE PER ECR-16-013316	100CT2016	LN RS



NOTES:

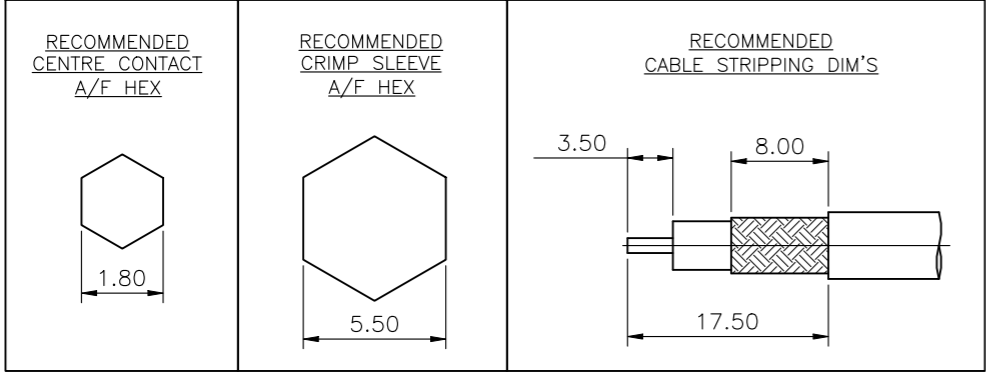
- ① SINGLE PACKING: ONE CONNECTOR PER LABELED BAG PACKAGED. LABELED PER TEC-107-115
- ② TRAY PACK
- ③ FLASH Au PLATING
- ④ 0.76µm Au PLATING
- ⑤ Ni PLATING
- ⑥ THIS ITEM MUST BE WHITE
- 7. HAND TOOL : 9-1478240-0
- 8. DIE SET : 9-1478242-0
- 9. ELECTRICAL CHARACTERISTICS

FREQUENCY RANGE:	DC - 2 GHz
NOMINAL IMPEDANCE:	75 Ohm
INSULATION RESISTANCE:	5000 MOhm
WORKING VOLTAGE:	500 Volts RMS at Sea Level
DIELECTRIC WITHSTAND VOLTAGE:	1500 Volts RMS Max
CONTACT RESISTANCE:	
CENTRE CONTACT:	1.50 mOhm Max
OUTER CONTACT:	0.20 mOhm Max
VSWR @ 2GHz:	1.50:1 Max
INSERTION LOSS dB @ x 3 GHz:	0.20 Max
- 10. MECHANICAL CHARACTERISTICS

COUPLING NUT RETENTION FORCE:	445N Min
CABLE RETENTION FORCE:	85N Min
DURABILITY:	500 Cycles Min
- 11. ENVIRONMENTAL CHARACTERISTICS

OPERATING TEMPERATURE:	-65 to +165 DegC
------------------------	------------------

QTY	QTY PER ASSY	MATERIAL	DESCRIPTION	ITEM
1	1	PTFE	PUSHER SLEEVE	11
1	1	BRASS	FERRULE	10
1	1	BRASS	CONTACT	9
-	-	BRASS	CONTACT	8
1	1	BRASS	BODY	7
1	1	BRASS	WASHER	6
1	1	SPRING STEEL	SPRING	5
1	1	BRASS	WASHER	4
1	1	SILICON RUBBER	GASKET	3
1	1	PTFE	INSULATION	2
1	1	BRASS	SHELL	1
6--1	1--1	6--0	1--0	
①	①	①	①	



THIS DRAWING IS A CONTROLLED DOCUMENT.

DIMENSIONS:	TOLERANCES UNLESS OTHERWISE SPECIFIED:
mm	0 PLC ± -
	1 PLC ± -
	2 PLC ± -
	3 PLC ± -
	4 PLC ± -
	ANGLES ± 5°
MATERIAL	FINISH
SEE TABLE	SEE TABLE

DWN	J.SANDWELL	12SEPT05	 TE Connectivity
CHK	S.PARLOW	12SEPT05	
APVD	F.WHEELER-KING	12SEPT05	
PRODUCT SPEC	NAME		
APPLICATION SPEC	411-3247		BNC STRAIGHT PLUG CRIMP 75 OHM RG179B/U, 187A/U, TM3289 & URM 111
WEIGHT	0.000000	A3 00779	C-1337431
CUSTOMER DRAWING			RESTRICTED TO
SCALE		NTS	SHEET 1 OF 1
REV		E	