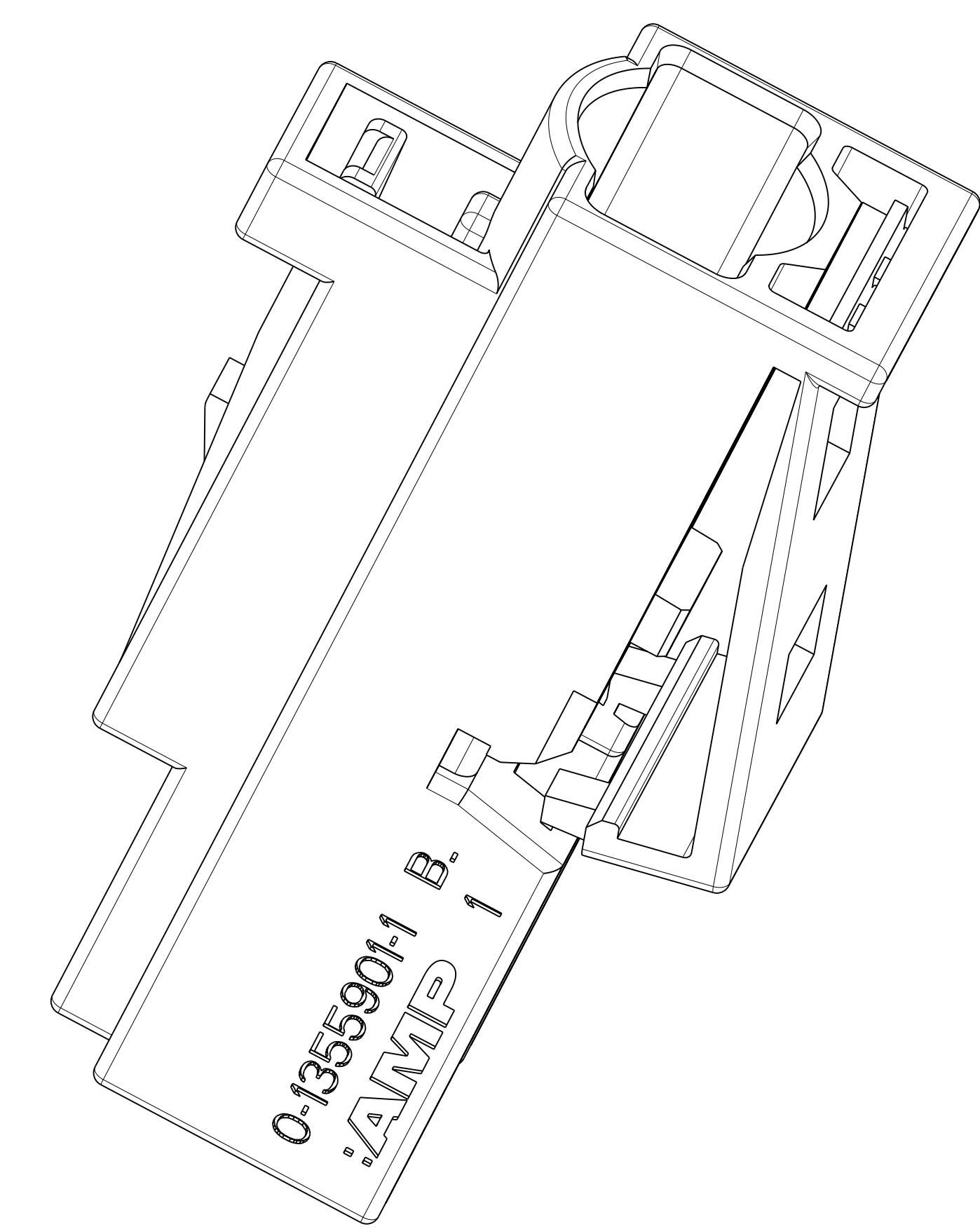
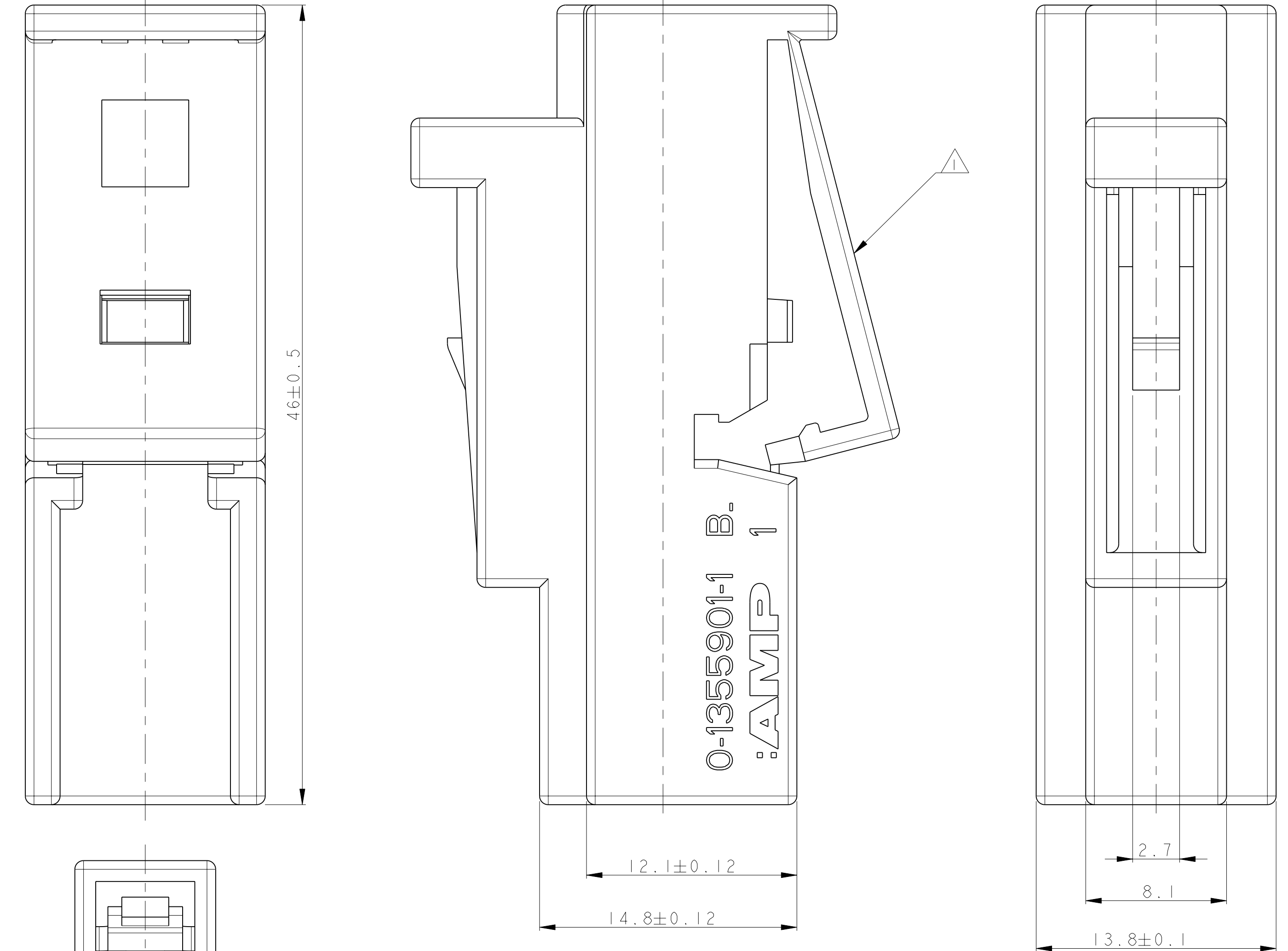
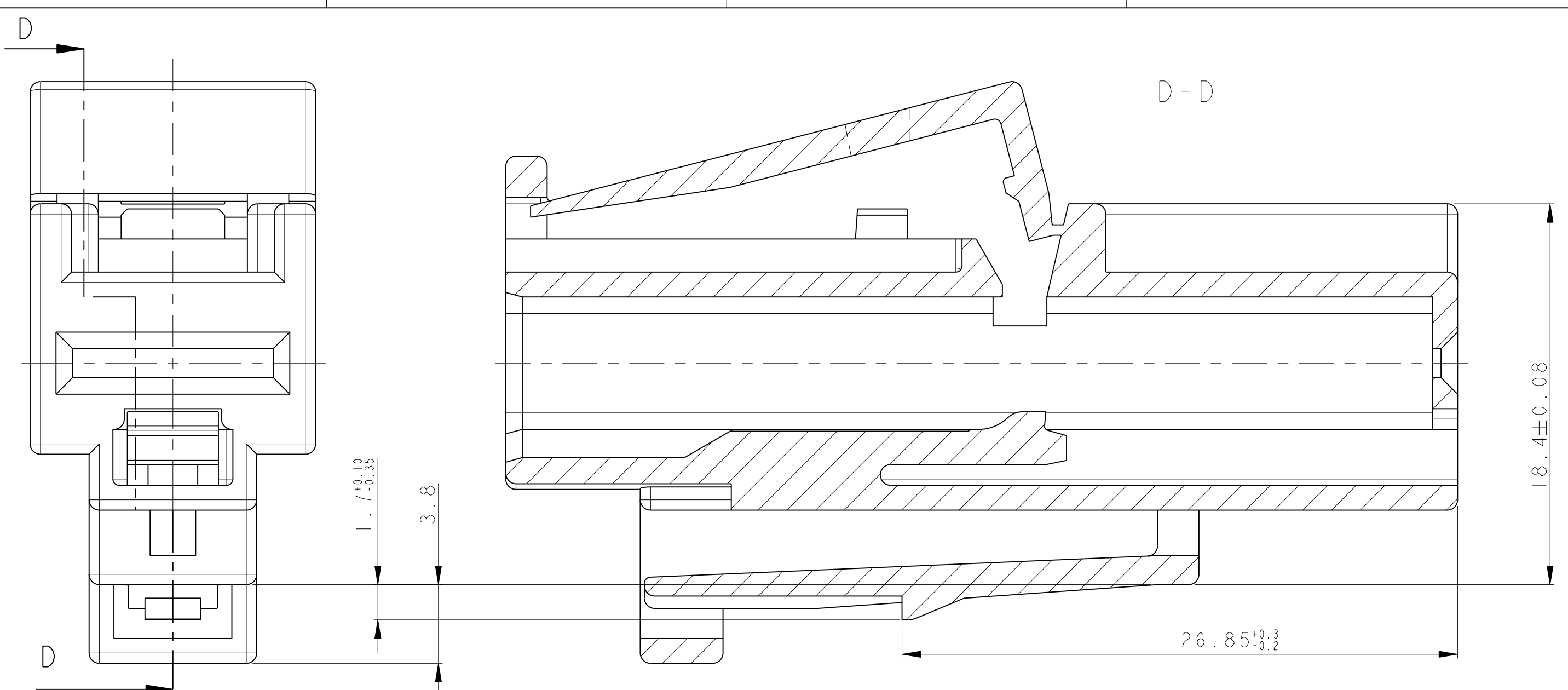
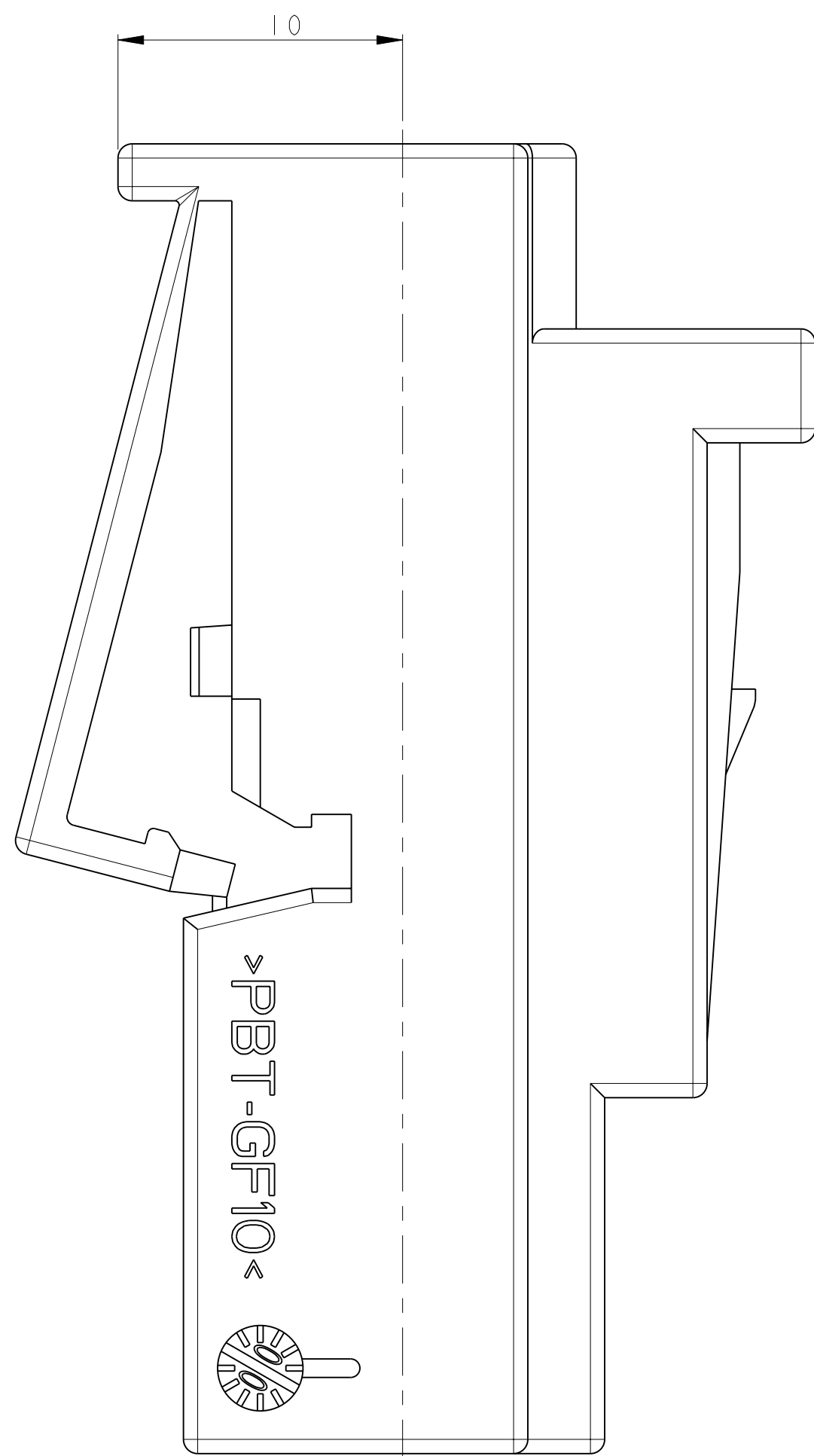


| LOC | DIST | REVISIONS | | | |
|-----|------|----------------------------------|-----------|----|------|
| A1 | - | REV | DATE | BY | APPD |
| A | | NEW DRAWING, PCN EG00-0957-00-01 | 15MAY2000 | WE | - |
| A1 | | DRW COMPLIANCE, PCN EG00-1491-00 | 30JUN2000 | WE | - |
| B | | EG00-0052-01 | 09JAN2001 | GP | GM |
| B1 | | ECR-10-001020 | 15JAN2010 | GS | KR |



- NOTES
 Bemerkungen
- 1 SECONDARY LOCK IN PRE-LOCK-IN POSITION
 2. Kontaktsicherung in Vorraststellung
 - 2 INTERFACE SPECIFICATION 114-18820
 Interface Spezifikation 114-18820

| | | | | | | | |
|-------------------|-------------|------------------------------|--------------|--|-------|--|----------|
| 2S6T 14489 HA | 0-1355901-1 | MAXI FUSE BOX 0-1394252-1 | 1x | PBT-GF10 | BLACK | SOCKET HOUSING | 1 |
| CUSTOMER PART NO. | TE PART NO. | SUITABLE FOR | PCS PER ASSY | MATERIAL | COLOR | DESCRIPTION | ITEM NO. |
| | | DIMENSIONS: | | TOLERANCES UNLESS OTHERWISE SPECIFIED: | | DWN: W. Exret 15MAY2000 CHK: G. Mumper | |
| | | mm | | 9 PLC ±0.2 1 PLC ±0.2 2 PLC ±0.2 3 PLC ±0.2 4 PLC ±0.2 ANGLES ±1° FINISH | | NAME: Ipos. SOCKET HOUSING 9.5mm SYSTEM MCP | |
| | | MATERIAL | | FINISH | | SIZE: A100779 C=1355901 RESTRICTED TO | |
| | | MATERIAL | | FINISH | | WEIGHT: A100779 C=1355901 CUSTOMER DRAWING | |
| | | SCALE: 5:1 | | SHEET 1 OF 1 | | REV: B1 | |