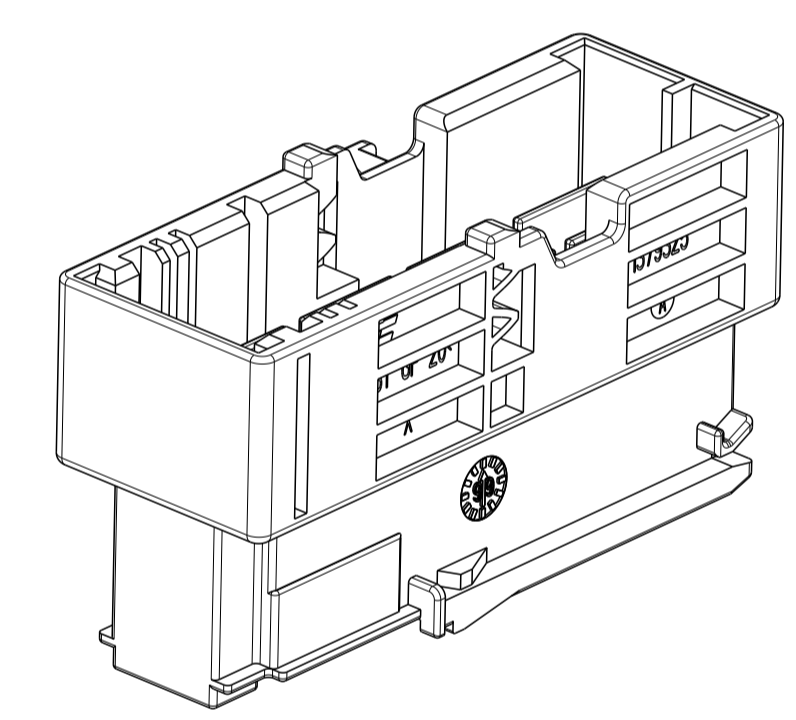
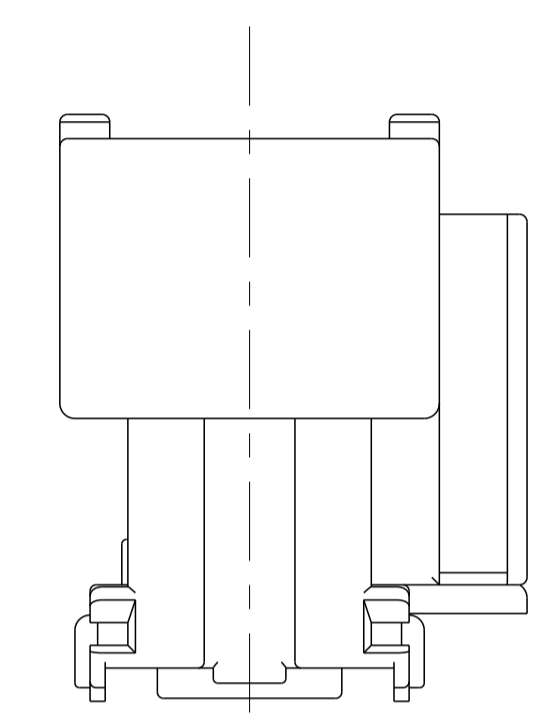
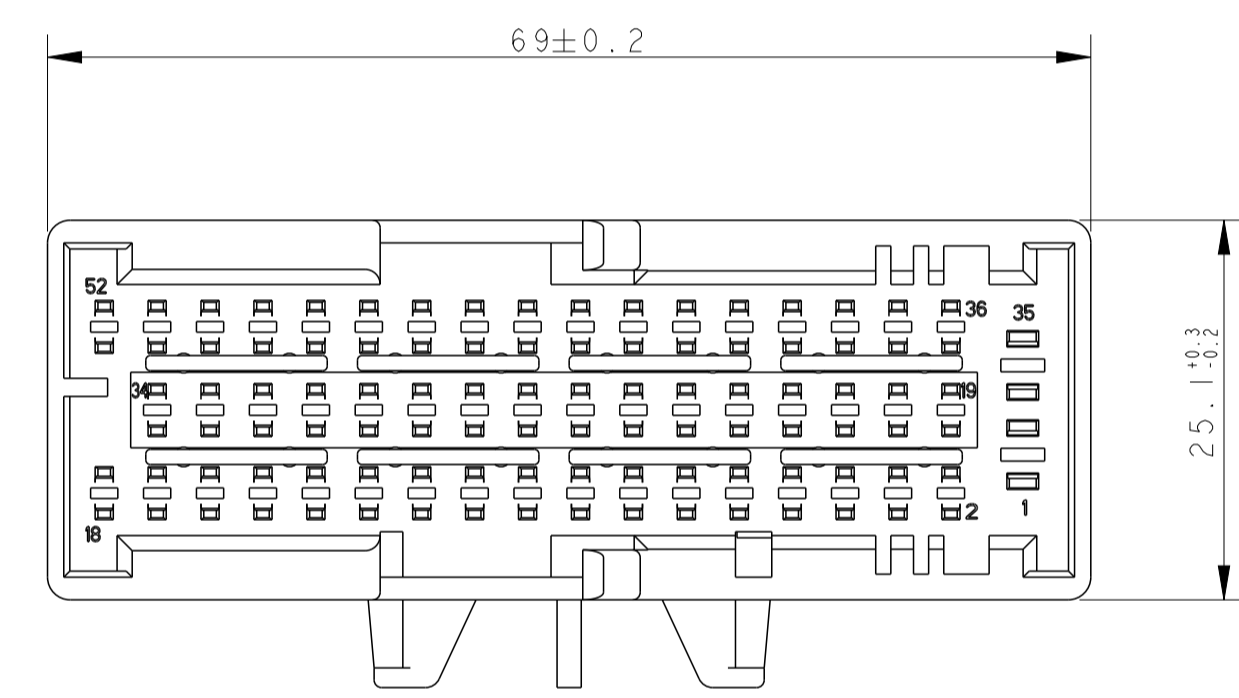
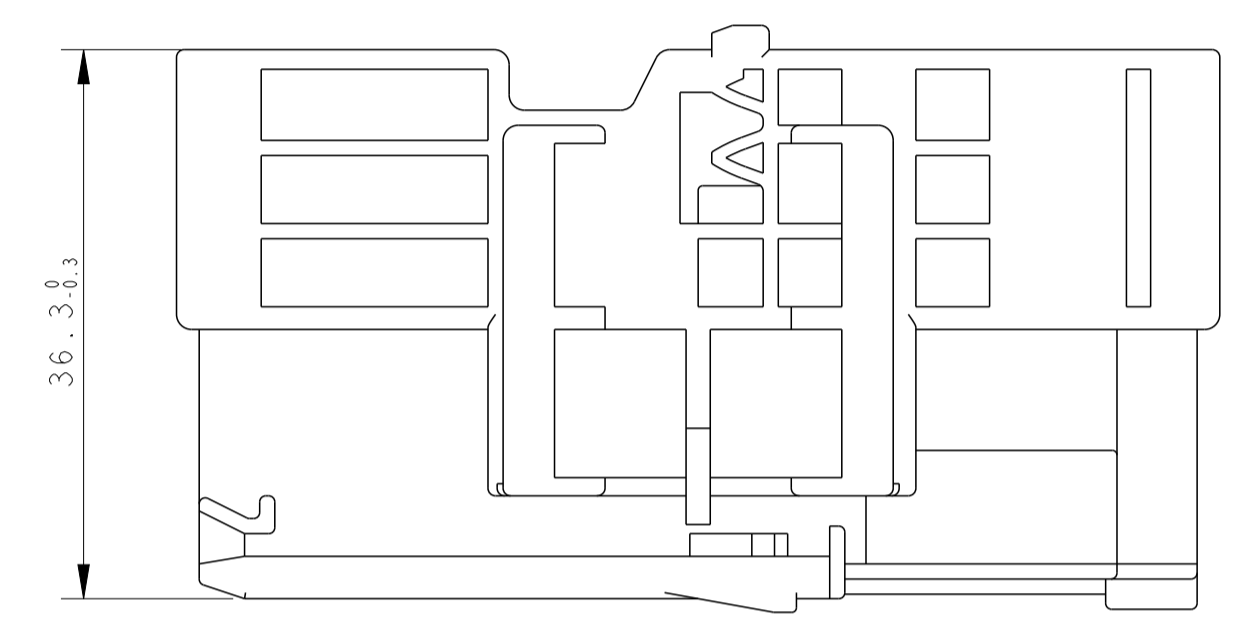
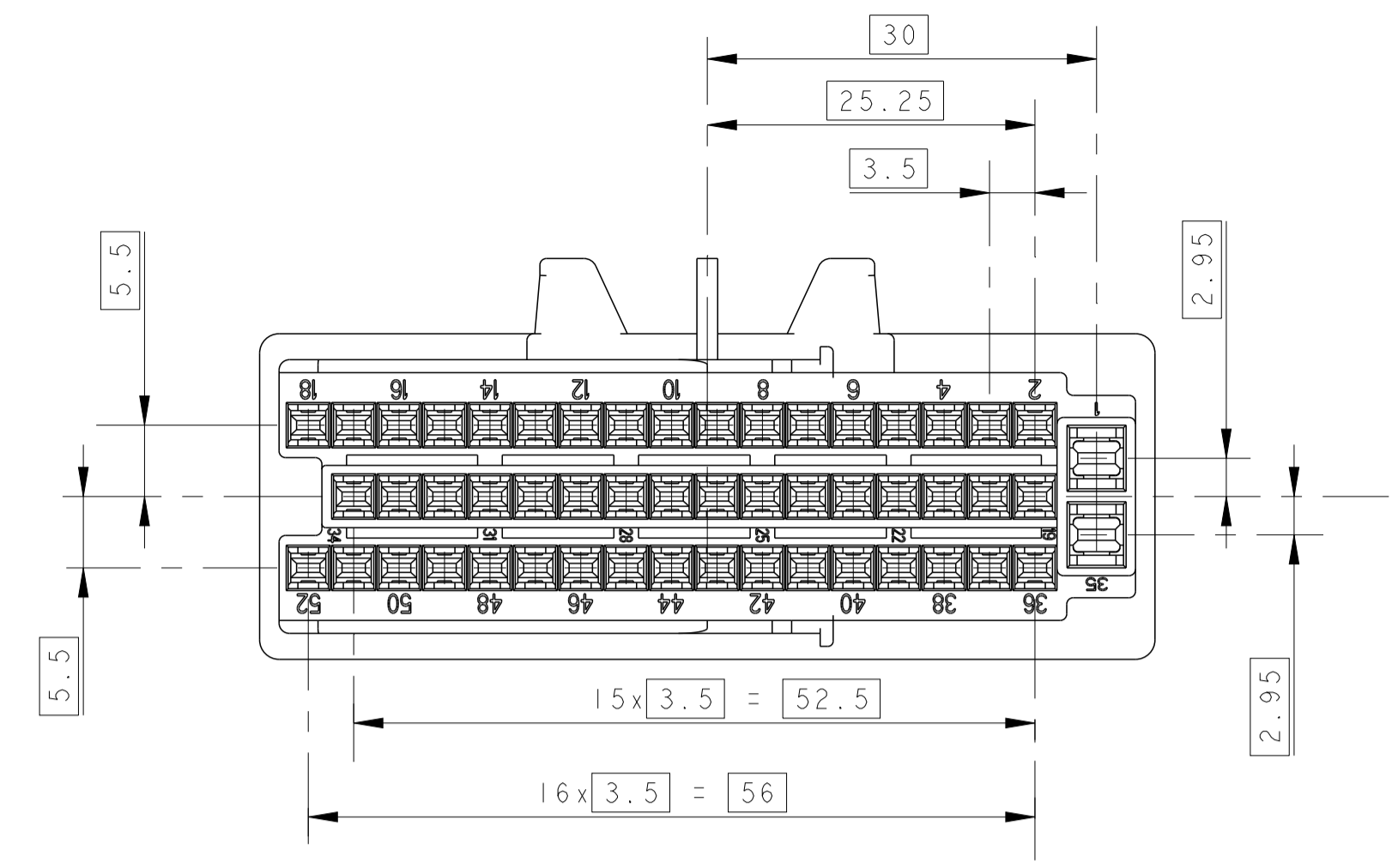
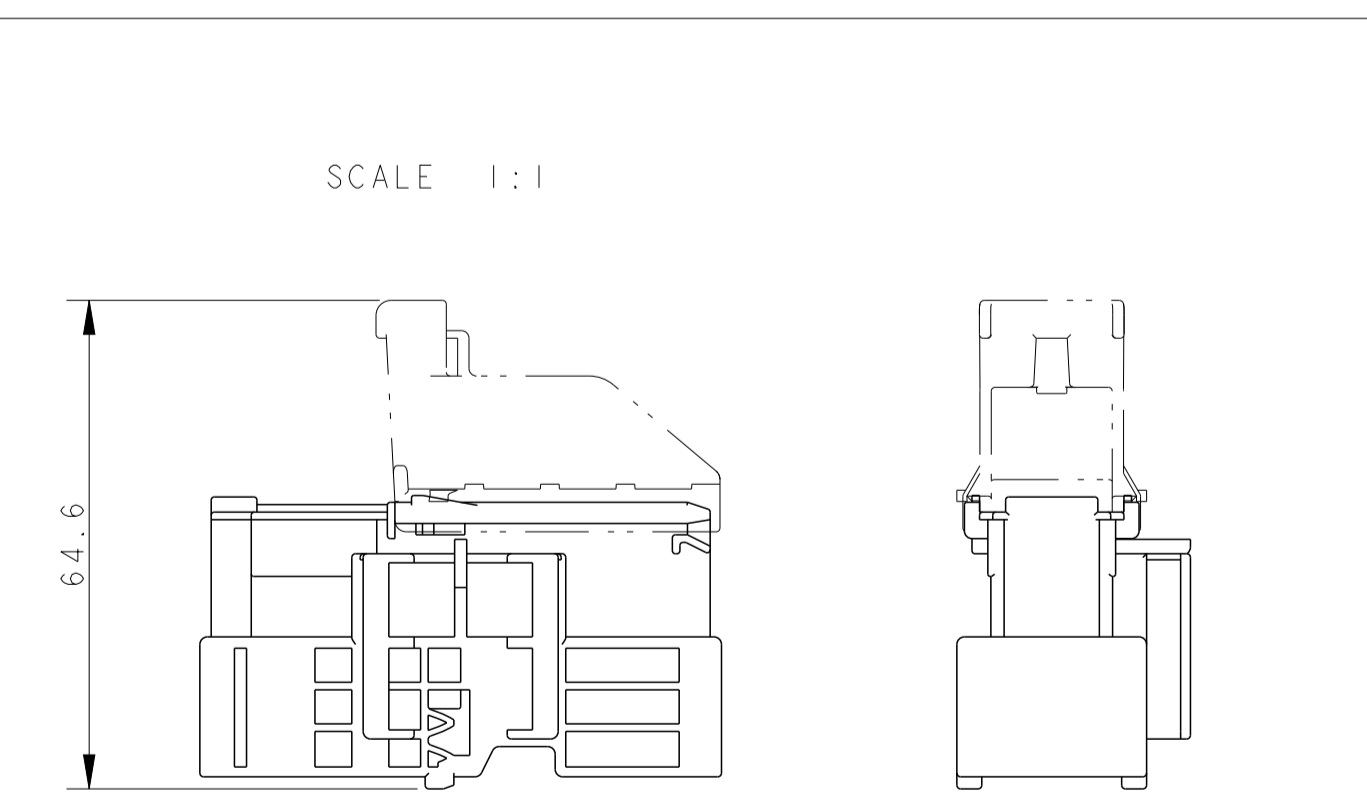
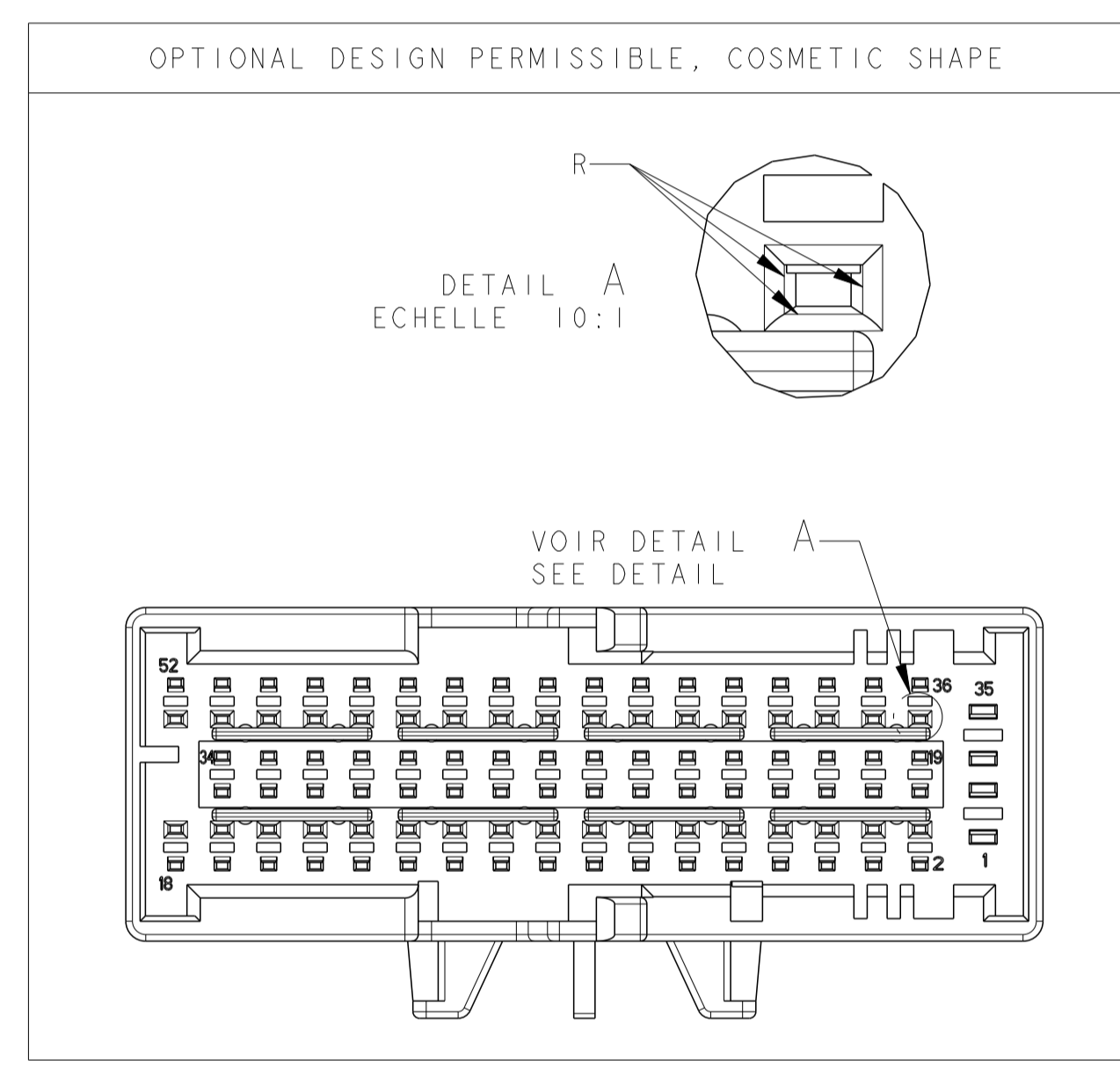


LOC		DIST		REVISIONS			
P	LTN	DESCRIPTION	DATE	DWN	APVD		
A		INITIAL RELEASE	25MAY2011	PB	JPP		
B		ADD OPTIONAL DESIGN PERMISSIBLE	17AUG2017	DB	XR		



**CODAGE NOIR REPRESENTE  
BLACK CODING REPRESENTED**



**REPRESENTATION DU PL AVEC CAPOT  
VIEWS OF TAB HOUSING WITH COVER**

1379325-1	NOIR BLACK	
1379325-2	GRIS GREY	
REF/PN TE	COULEUR COLOR	CODAGE CODING

TERMINAL SERIES	JPT	QTY
MICROTIMER 2	50	2

1379325-1	1379325-2	<-- REFERENCE DU PORTE-LANGUETTES 52 WAYS TAB HOUSING PART NUMBER		
X	PORTE-LANGUETTES/tab housing	PBT GF-20	GRIS/grey	
X	PORTE-LANGUETTES/tab housing	PBT GF-20	NOIR/black	
	DESIGNATION/description	MATIERE/material	COULEUR/color	

THIS DRAWING IS A CONTROLLED DOCUMENT.

OWN: P. BACHELOT 25MAY2011  
CHK: JP. PICAUD 25MAY2011  
APVD: JJ. REVILL 25MAY2011

**STE** TE Connectivity

NAME: 52 WAYS TAB HOUSING (50 WAYS 1.5 + 2 WAYS 2.8) PORTE-LANGUETTES 52 VOIES

PRODUCT SPEC: 108-15256  
APPLICATION SPEC: 411-15647

SIZE: CAGE CODE DRAWING NO: A100779  
RESTRICTED TO: 1379325

MATERIAL: VOIR TABLEAU see table  
FINISH: VOIR TABLEAU see table  
WEIGHT: SEE TABLE  
CUSTOMER DRAWING

SCALE: 1:1 SHEET 1 OF 1 REV B