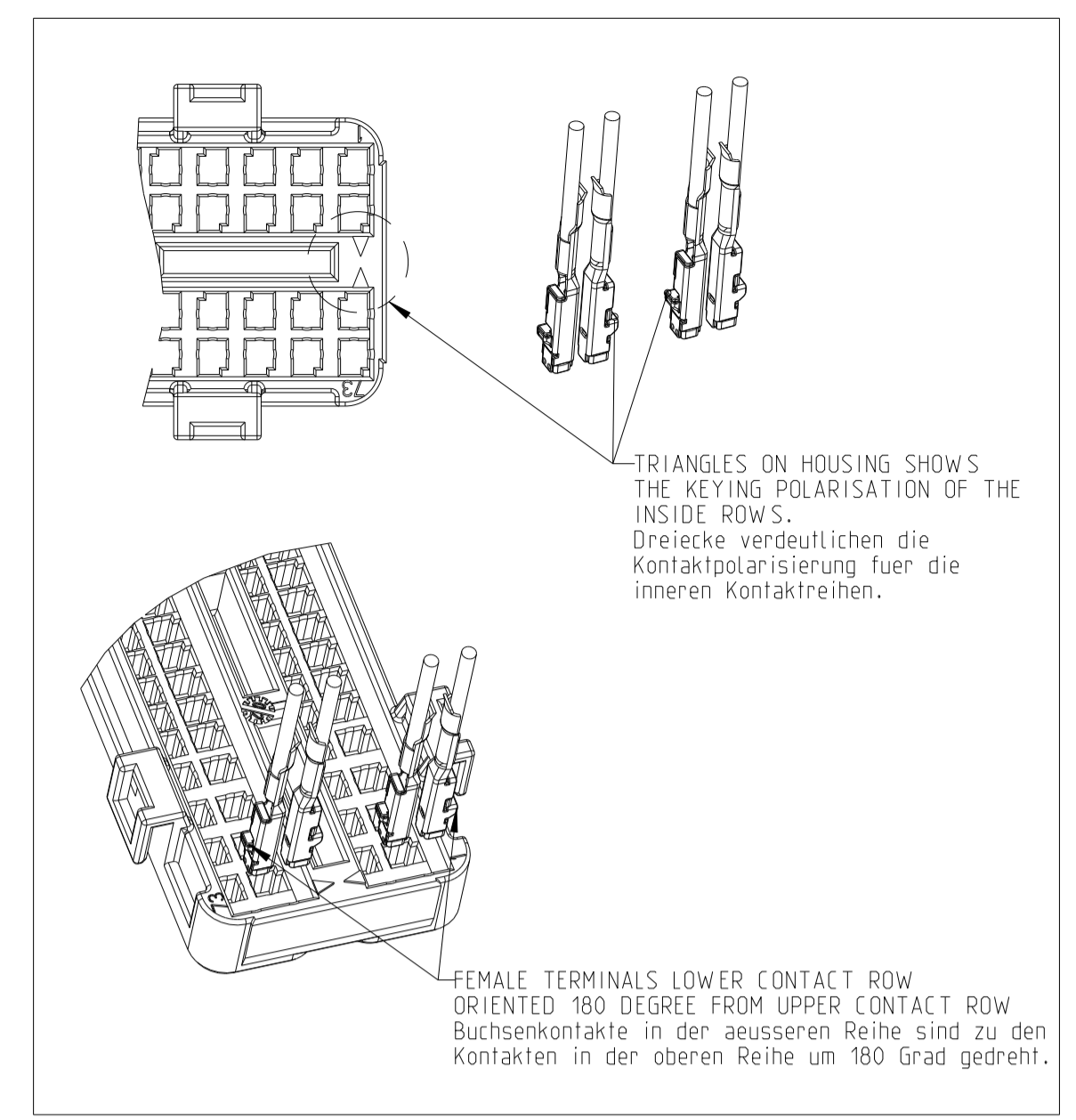
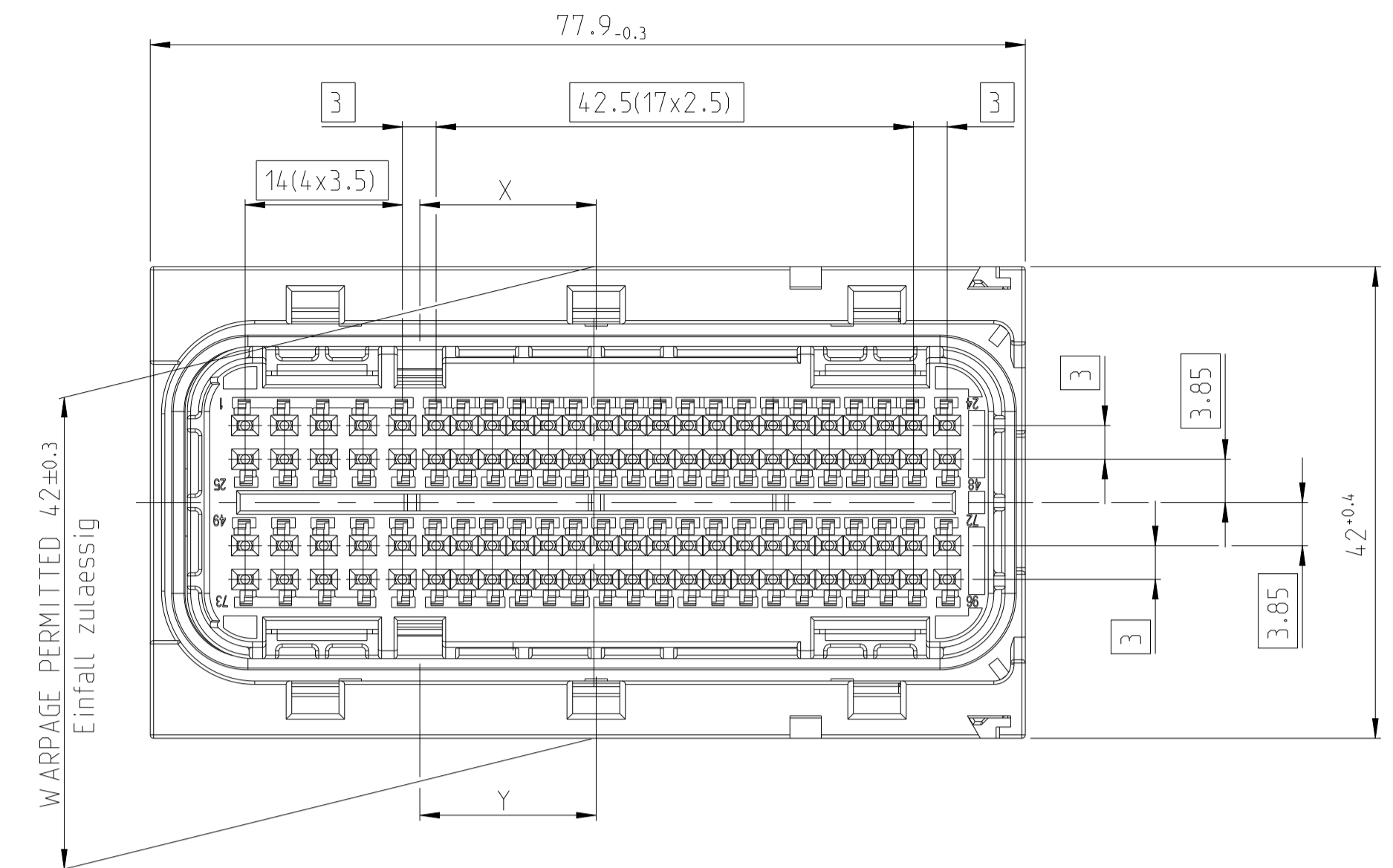


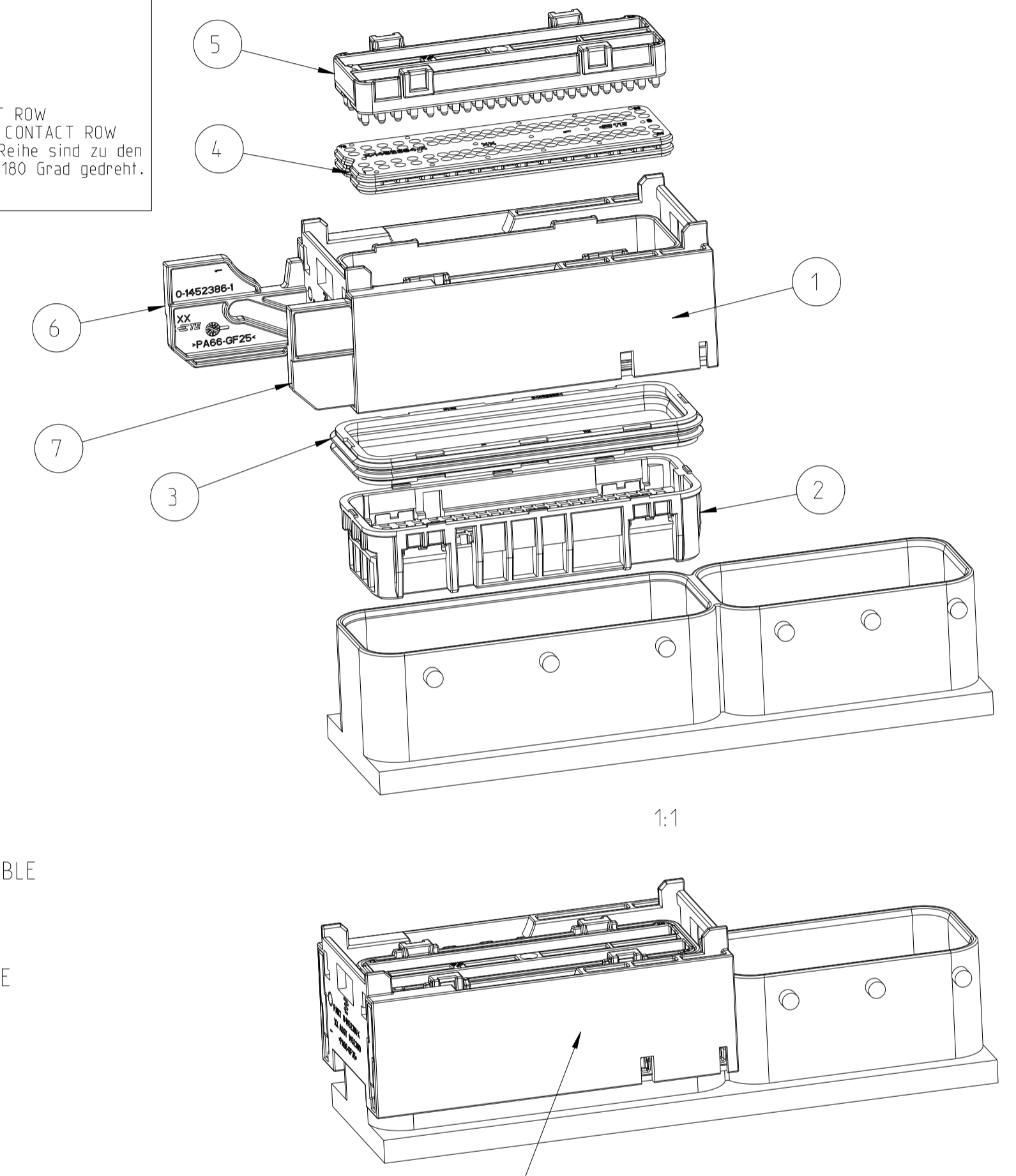
UP TO
 0.75 mm²
 WIRE SIZE

-	-	-
A	15.7	15.7
CODING	X	Y

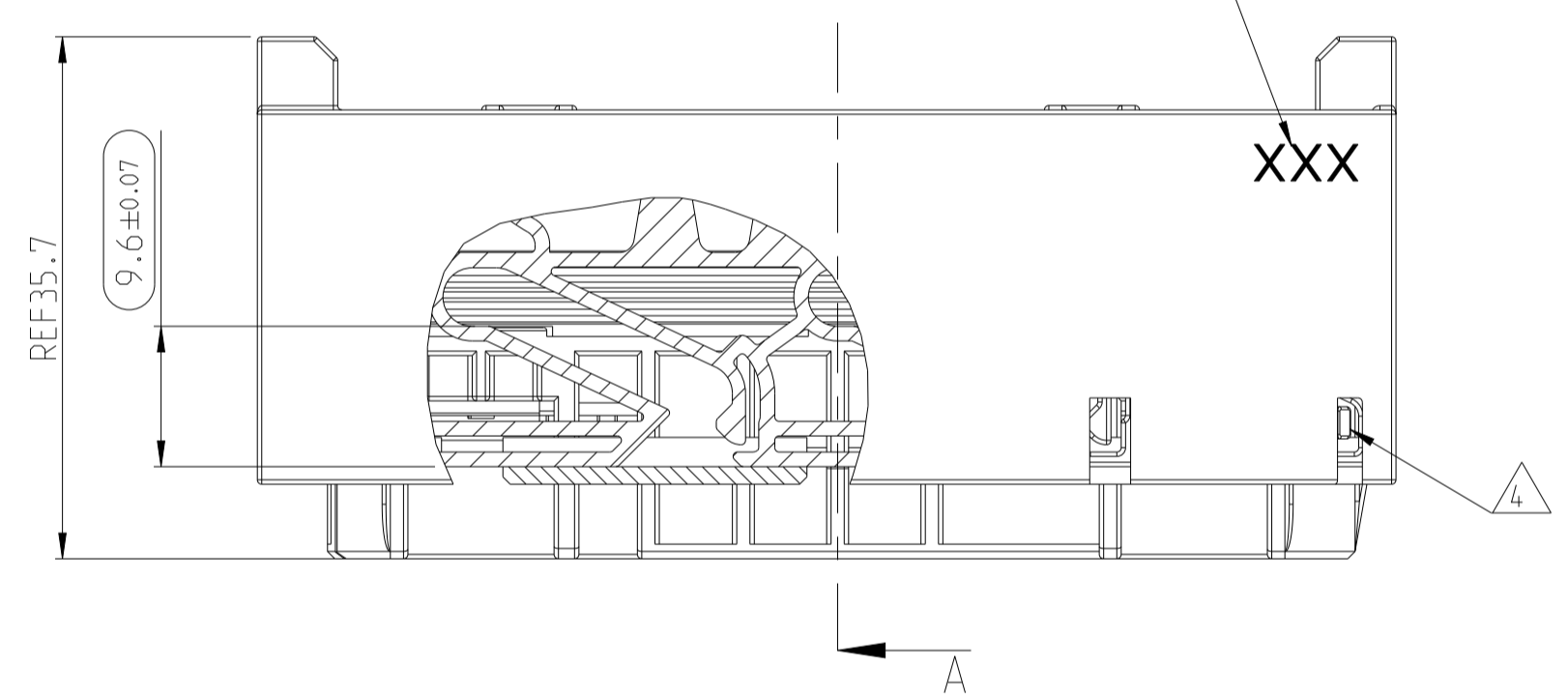
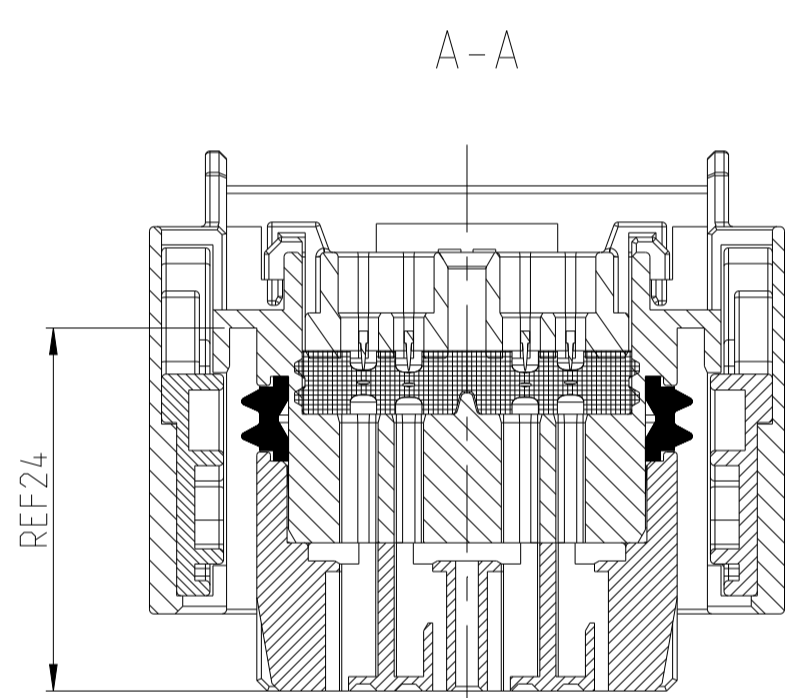


LOC	DIST	REVISIONS					
A1	-	P	LTH	DESCRIPTION	DATE	OWN	APVD
		L6		ECR-16-014434	12OCT2016	KC	SH
		L7		ECR-17-008199	15JUNE2017	KC	PT
		L8		ECR-20-009664	08JUL2020	VKS	PT
		L9		ECR-23-171716	06APR2023	EM	EM

QTY	REQD PER ASSY	ASSY NO	MATERIAL	DESCRIPTION	COLOUR	ITEM NO
1x		PA66-GF25	96 POS. PCM CON. SLIDE RIGHT	BLACK	7	
1x		PA66-GF25	96 POS. PCM CON. SLIDE LEFT	BLACK	6	
1x		PBT-GF20	96 POS. PCM CON. COVER FOR FAMILY SEAL	BLACK	5	
1x		SILICONE	96 POS. PCM CON. FAMILY SEAL	WHITE	4	
1x		SILICONE	96 POS. PCM CON. PERIPHERAL SEAL	WHITE	3	
1x		PA66-GF35	96 POS. PCM CON. CONTACT HOUSING	BLACK	2	
1x		PA66-GF35	96 POS. PCM CON. FEMALE HOUSING	BLACK	1	
70		X-1452380-X	WEIGHT OF EACH ASSY NO (g)			



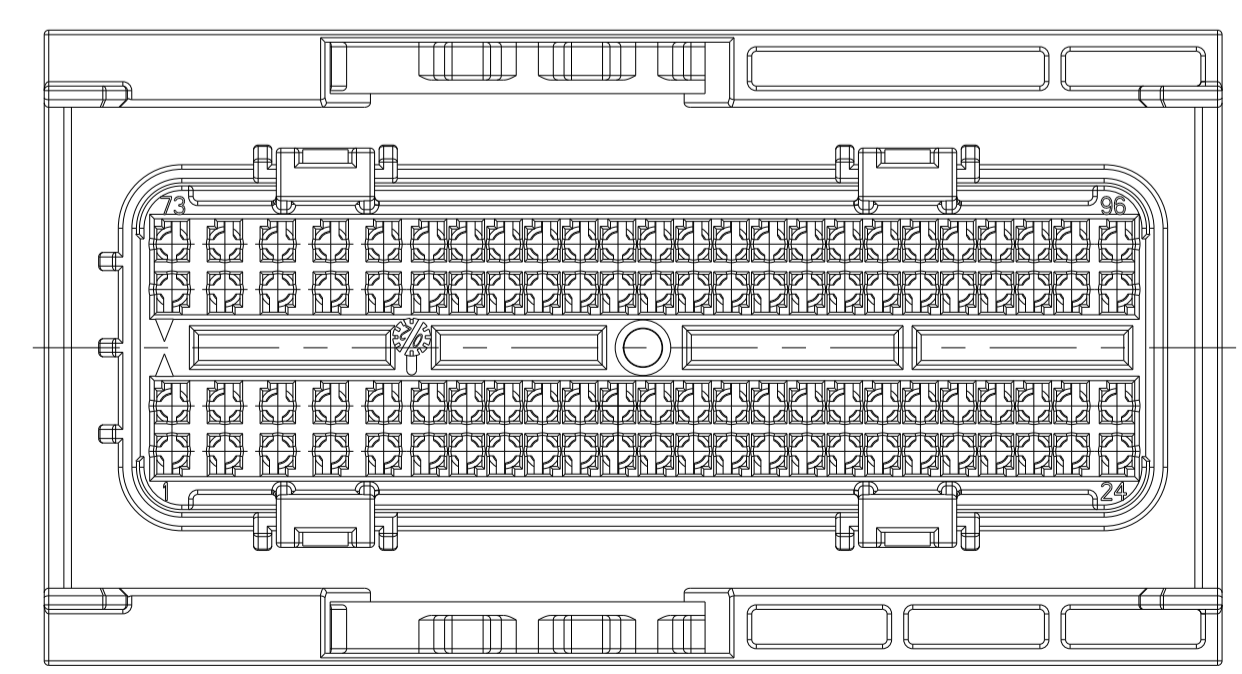
MARKING FOR PINOUTCONFIGURATION
 SEE TABLE SHEET 2
 Markierung fuer Pinoutkonfigkonfiguration
 siehe Tabelle Blatt 2



- NOTES:
 Bemerkungen:
- ASSY. USED WITH PARTS:
 Assy verwendet mit folgenden Teilen:
 HEADER BOSCH: PN: 000 20633 614
 HEADER TE: PN: 0-1565428-1
 - MATED WITH:
 Passend zu:
 COVER PN: 1452389, 0-1452862-1
 2-NDARY LOCK PN: 0-1452388-1
 Kappe PN: 1452389, 0-1452862-1
 2te Kontaktsicherung PN: 0-1452388-1
- THE HEADER IS NOT A PART OF THE DELIVERED ASSY.
 Der Header ist kein Bestandteil der gelieferten ASSY.
- SEALING FUNCTION REQUIRES ONLY FOLLOWING WIRE SIZE DIAMETERS FOR THE SIGNAL TERMINALS:
 Zur Sicherstellung der Dichtigkeit duerten folgende Drahtquerschnitte bei den Signalkontakten verwendet werden:
- 0.5mm² - 0.75mm² = ISO Ø1.4-1.9mm
 FOR ALL WITH "X" MARKED CAVITIES. SEE PINOUT CONFIGURATION TABLE fuer alle markierten Felder mit "X" in der Pinbelegungstabelle
 - 1.0mm² - 1.5mm² = ISO Ø1.9-2.4mm
 FOR ALL WITH NUMBERED CAVITIES. SEE PINOUT CONFIGURATION TABLE fuer alle nummerierten Felder in der Pinbelegungstabelle
- ASSY DELIVERED WITH SLIDES IN ENDOLOCK POSITION
 Anlieferungszustand Schieber in Endraststellung
 - TE-PN SHOWN AS "NOT USED" WERE RAISED FOR THE CONNECTOR TE-PN: X-1452419-X
 TE-Nr. mit "NOT USED" in der Pinbelegungstabelle werden verwendet im Stecker TE-Nr: X-1452419-X
 - TE-PN SHOWN AS "NOT USED" WERE RAISED FOR THE CONNECTOR TE-PN: X-1452423-X
 TE-Nr. mit "NOT USED" in der Pinbelegungstabelle werden verwendet im Stecker TE-Nr: X-1452423-X
- INSPECTION DIMENSION
 Kontrollmasse

* 1394897 WILL BE REPLACED DURING NEXT YEAR BY 1670144
 * 1394897 wird innerhalb eines Jahres ersetzt durch 1670144

TERMINALS TE PN	FINISH Oberflaeche	WIRE SIZE (mm ²) Drahtquerschnitt (mm ²)	NOTES Bemerkungen
0-1452503-3	SILVER PLATED	1.0 - 1.5	BLINDPLUG Blindstopfen 2 0.75mm ² PN 1-1452424-1 BROWN / Braun
0-1670144-3 *		0.5 - 0.75	
0-1534594-3		0.25 - 0.35	
0-1452503-2	GOLD PLATED	1.0 - 1.5	1.5mm ² PN 1-1452424-2 BLUE / Blau
0-1670144-2 *		0.5 - 0.75	
0-1534594-2		0.25 - 0.35	
0-1452503-1	PRE-TIN	1.0 - 1.5	
0-1670144-1 *		0.5 - 0.75	
0-1534594-1		0.25 - 0.35	



THIS DRAWING IS A CONTROLLED DOCUMENT.		OWN: K.ROTH 12MAR2002	TE Connectivity																					
DIMENSIONS: mm		CHK: S.DENTER 12MAR2002																						
TOLERANCES UNLESS OTHERWISE SPECIFIED:		APVD: G.MUMPER 14MAR2002	NAME: 96POS. RECEPTACLE HOUSING ASSEMBLY																					
<table border="1"> <tr><td>0</td><td>PLC</td><td>±</td></tr> <tr><td>1</td><td>PLC</td><td>±</td></tr> <tr><td>2</td><td>PLC</td><td>±</td></tr> <tr><td>3</td><td>PLC</td><td>±</td></tr> <tr><td>4</td><td>PLC</td><td>±</td></tr> <tr><td>ANGLES</td><td></td><td>±</td></tr> <tr><td>FINISH</td><td></td><td>±</td></tr> </table>		0	PLC	±	1	PLC	±	2	PLC	±	3	PLC	±	4	PLC	±	ANGLES		±	FINISH		±	APPLICATION SPEC: 114-18534-1	SIZE: A1
0	PLC	±																						
1	PLC	±																						
2	PLC	±																						
3	PLC	±																						
4	PLC	±																						
ANGLES		±																						
FINISH		±																						
MATERIAL: -		WEIGHT: -	CAGE CODE: 00779																					
Customer Drawing		SCALE: 2:1	SHEET: 1 OF 3																					
		DRAWING NO: 1452380	REV: L9																					

