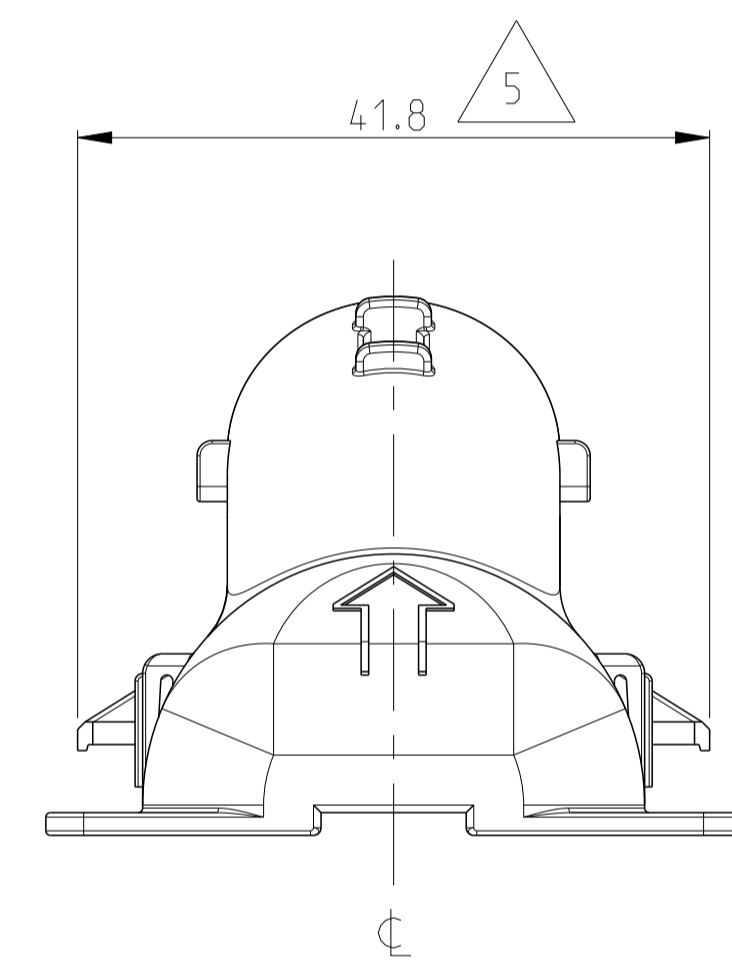
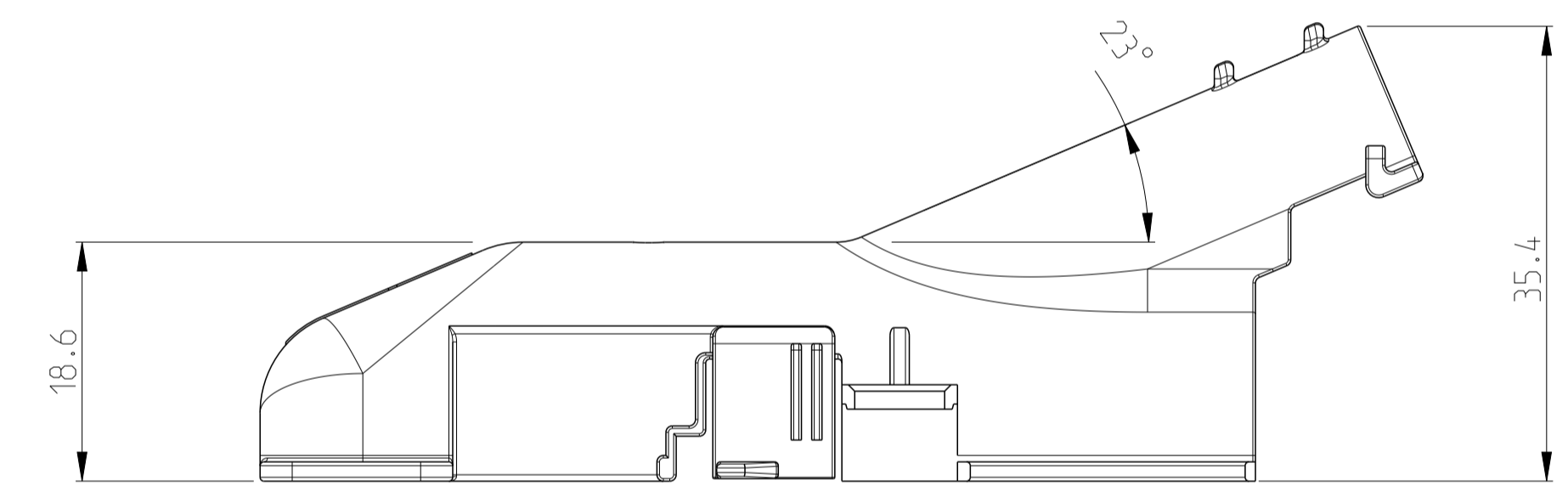
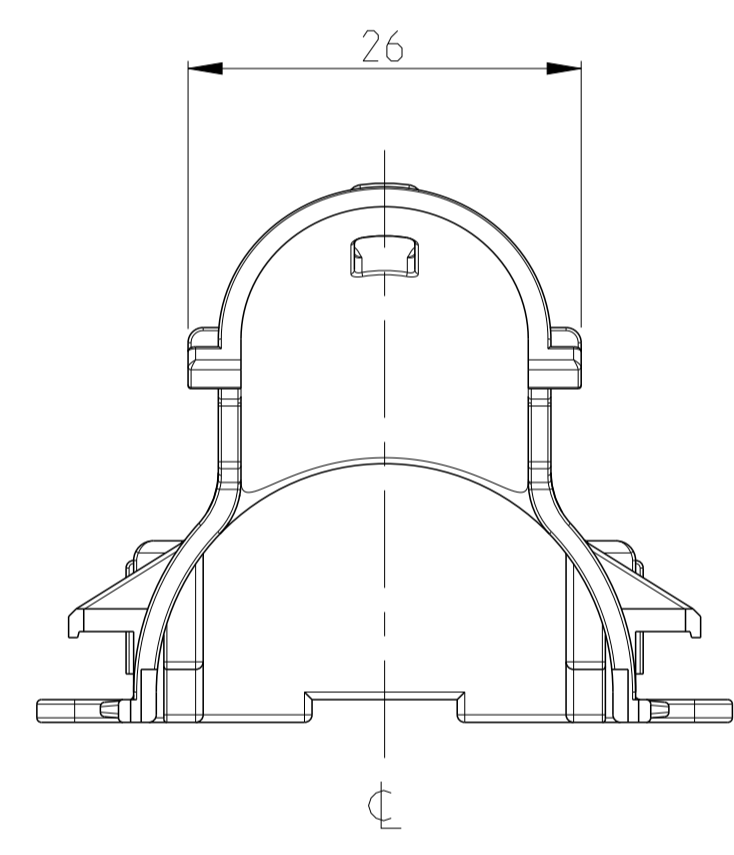
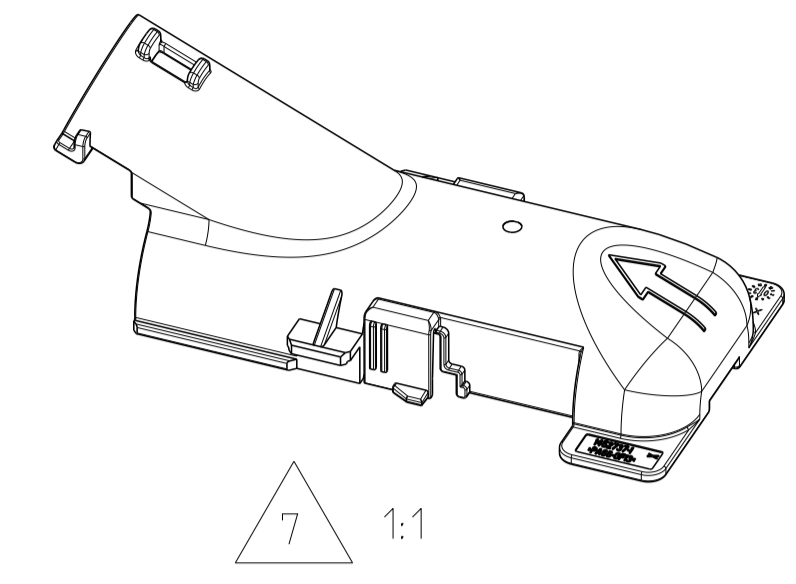
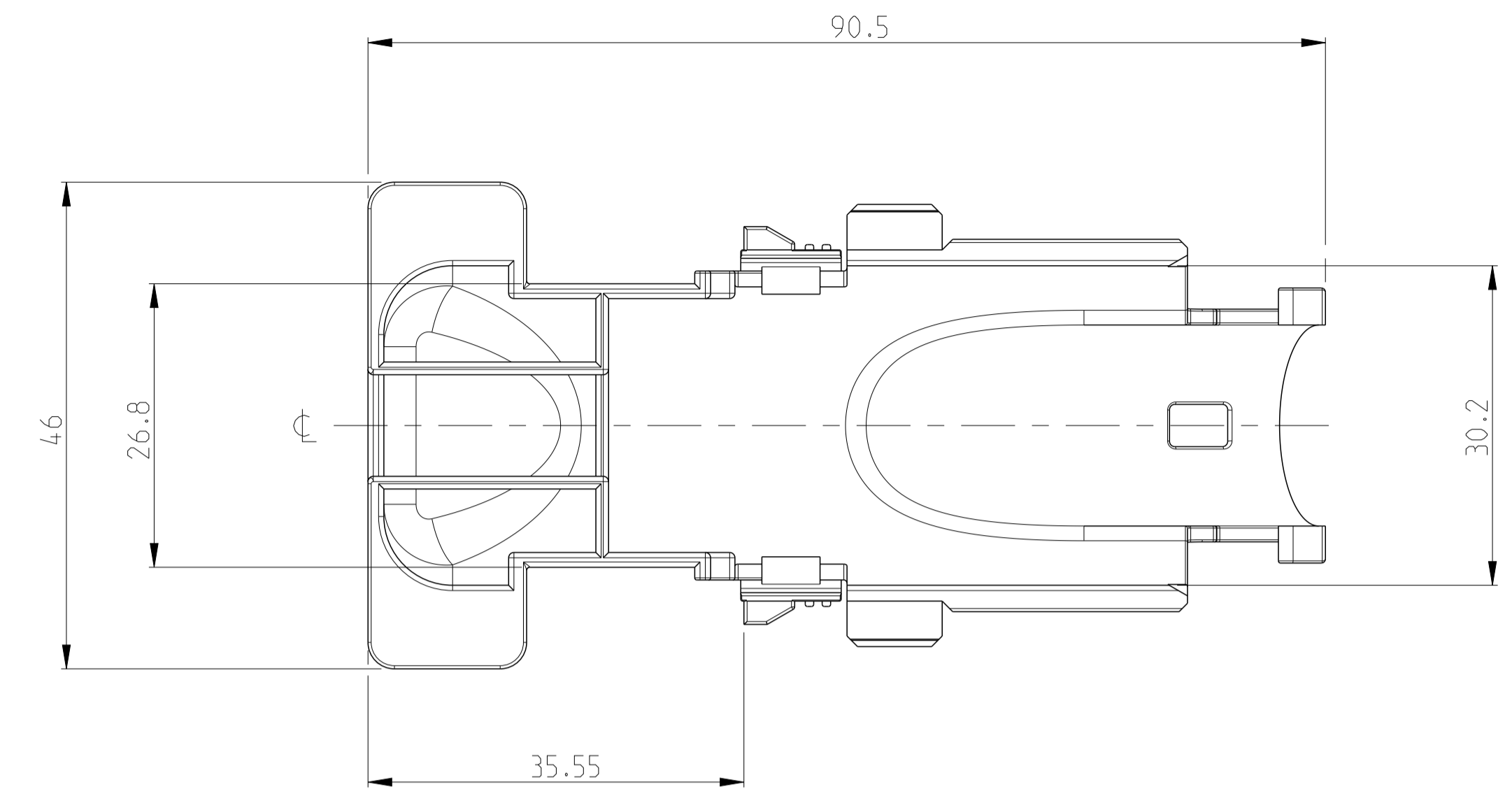


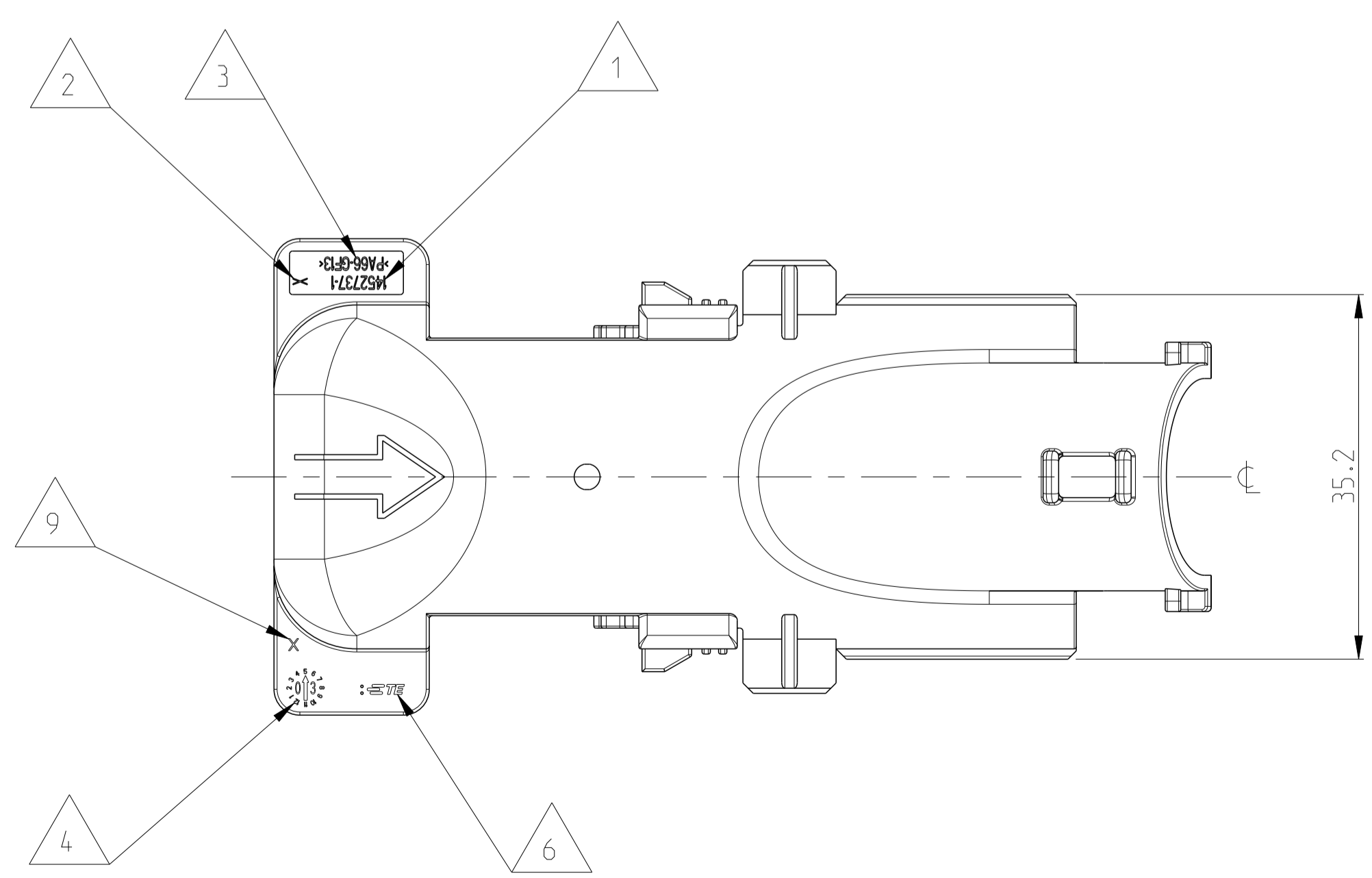
REVISIONS					
P	LTH	DESCRIPTION	DATE	DMN	APVD
A		INITIAL DRAWING	13JAN2015	SS	RH



NOTES  
BEMERKUNGEN

- NV NOTE NOT VALID  
Bemerkung nicht verwendet
- 1 ORDER NUMBER  
BESTELL-NUMMER
- 2 REVISION NUMBER  
WERKZEUGÄNDERUNGSINDEX
- 3 MATERIAL MARKING  
WERKSTOFFKENNZEICHNUNG
- 4 PRODUCTION DATE  
PRODUKTIONSdatum
- 5 PERMISSIBLE COLLAPSE TO -0.5  
Zulaessiger Einfall bis
- 6 TE LOGO
- 7 PACKAGING: BULK MATERIAL IN CARDBOARD BOX  
VERPACKUNG: SCHÜTTGUT IN KARTON
- NV PACKAGING: LAYERS IN CARDBOARD BOX  
VERPACKUNG: LAGENWEISE IN KARTON
- 9 TOOL CAVITY MARKING  
NESTMARKIERUNG

Zu verwenden mit:  
TO USE WITH:  
- 1452796 REC.HSG. 60POS., ASSY



CUSTOMER PART NO	TE PART NO	REV	WEIGHT (g)	PCS	MATERIAL	SURFACE COLOR	DESCRIPTION	ITEM NO
-	0-1452737-1	A	10.8	1	PA66-GF13	BLACK	COVER 113 DEGREES	1

THIS DRAWING IS A CONTROLLED DOCUMENT.		DMN: SHIVALIKA S., 13JAN2015	
DIMENSIONS: mm		CHK: PARUSURAM T., 13JAN2015	
TOLERANCES UNLESS OTHERWISE SPECIFIED:		APVD: BY HECKER, 14 JAN 2015	NAME: COVER 113 DEG Abdeckkappe 113 deg
0 PLC ±0.5	1 PLC ±0.5	PRODUCT SPEC	SIZE: A1
2 PLC ±0.5	3 PLC ±0.5	APPLICATION SPEC	CAGE CODE: 00779
4 PLC ±0.5	ANGLES ±0°	114-18598	DRAWING NO: 1452737
MATERIAL: PA66-GF13	FINISH: -	WEIGHT: -	RESTRICTED TO: -
Customer Drawing			SCALE: 2:1 SHEET: 1 OF 1 REV: A