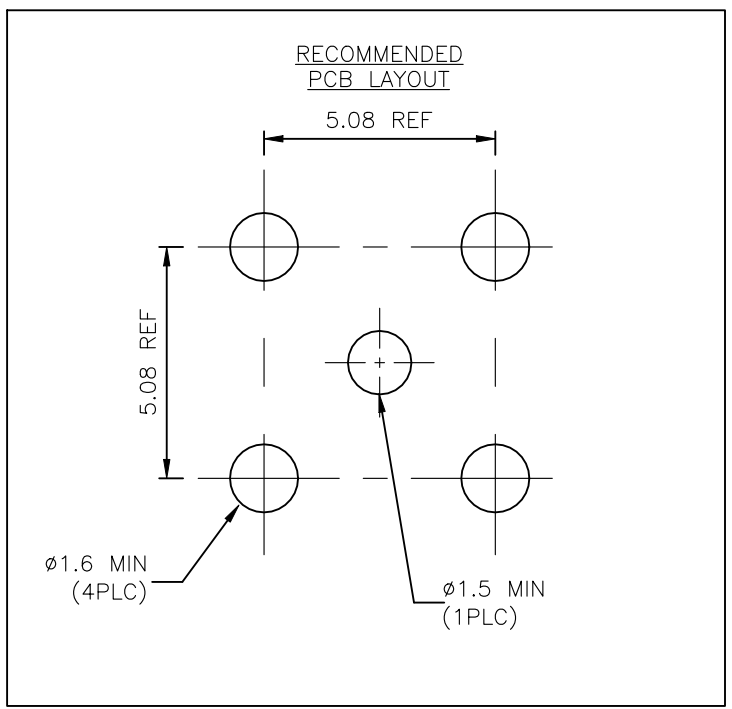
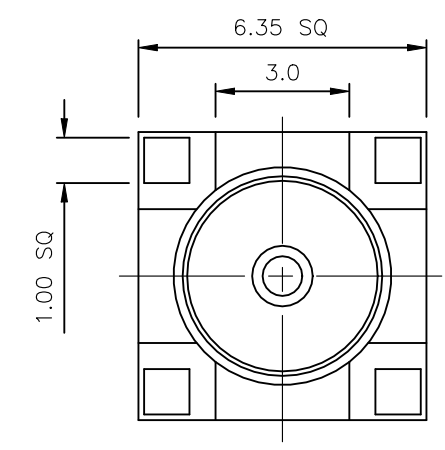
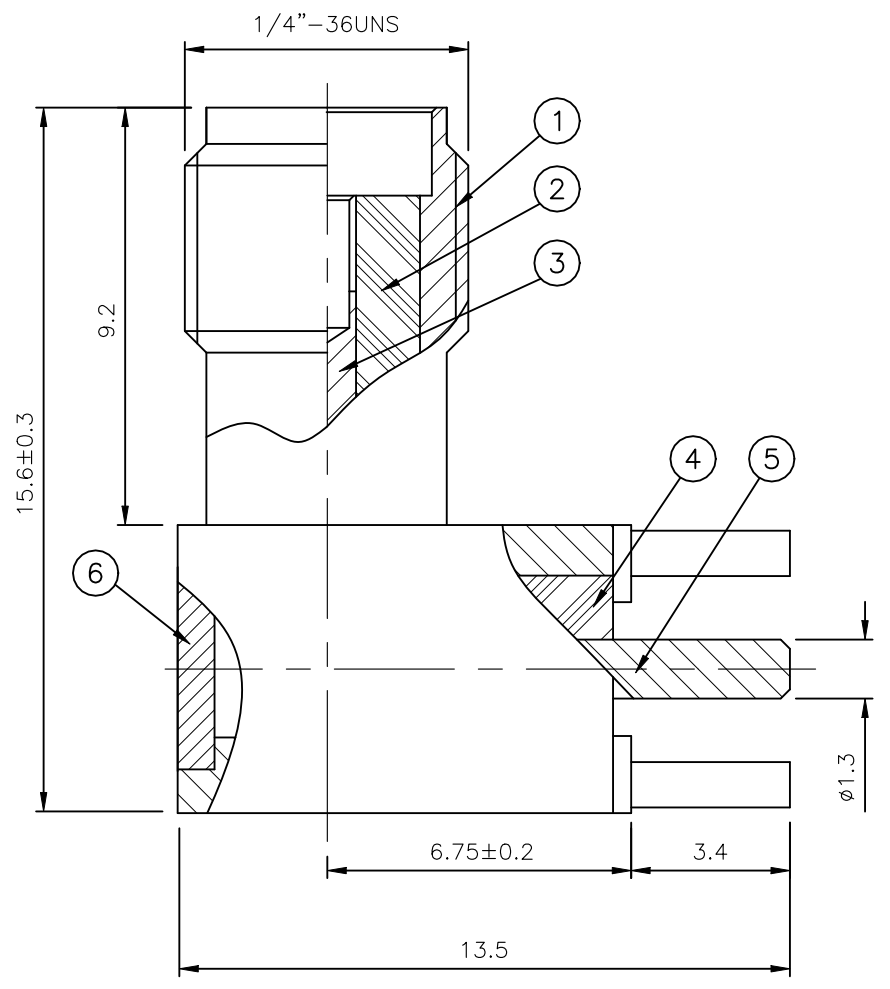


THIS DRAWING IS UNPUBLISHED. RELEASED FOR PUBLICATION DEC ,2003.
 © COPYRIGHT 2003 By - ALL RIGHTS RESERVED.

REVISIONS					
P	LTR	DESCRIPTION	DATE	DWN	APVD
	F2	ADD NEW PN 3-1478978-2	14SEP2022	ED	WH

- NOTES:**
1. SINGLE PACK IN ACCORDANCE WITH SPEC 107-3275
 2. 30 TRAY PACK IN ACCORDANCE WITH SPEC 107-3275
 3. 0.08µm GOLD PLATING
 4. 0.76µm GOLD PLATING
 5. ELECTRICAL CHARACTERISTICS
 FREQUENCY RANGE:
 STAINLESS STEEL: DC-12.4GHz
 BRASS: DC-6GHz
 NOMINAL IMPEDANCE: 50 OHMS
 INSULATION RESISTANCE: 5000 MOHMS
 WORKING VOLTAGE: 500 VOLTS MAX.
 DIELECTRIC WITHSTAND VOLTAGE: 1000 VOLTS MAX.
 VSWR: 1.23 MAX.
 RETURN LOSS: DC..6GHz<=-19.73dB
 6. MECHANICAL CHARACTERISTICS
 CONTACT RESISTANCE:
 CENTRE CONTACT: 3 mOHMS
 OUTER CONTACT: 2 mOHMS
 DURABILITY: 500 CYCLES
 TORQUE SETTING: 0.15-0.20 NM
 7. ENVIRONMENTAL
 OPERATING TEMPERATURE: -65°~+165°
 8. FOR TECHNICAL DATA REFER TO YOUR LOCAL TE CONNECTIVITY SALES OFFICE
 9. ALL DIMENSIONS ARE NOMINAL FOR REFERENCE ONLY UNLESS OTHERWISE STATED
 10. TAPE AND REEL PACKAGING



QTY	DESCRIPTION	ITEM
1	BRASS ACCESS CAP	6
1	STAINLESS STEEL ACCESS CAP	6
1	BRASS PIN	5
1	BRASS PIN	5
1	PTFE INSULATOR	4
1	BERYLLIUM COPPER SOCKET	3
1	PHOSPHOR BRONZE SOCKET	3
1	PTFE INSULATOR	2
1	BRASS BODY	1
1	STAINLESS STEEL BODY	1
3--2		
3--1		
3--0		
1--1		
1--0		
	MATERIAL	DESCRIPTION
		ITEM

THIS DRAWING IS A CONTROLLED DOCUMENT.

DWN J.SANDWELL 09DEC03
 CHK S.PARLOW 09DEC03
 APVD F.WHEELER-KING 09DEC03

STE TE Connectivity

NAME: SMA RIGHT ANGLE PCB SOCKET RECEPTACLE

SIZE: A3 CAGE CODE: 00779 DRAWING NO: C-1478978

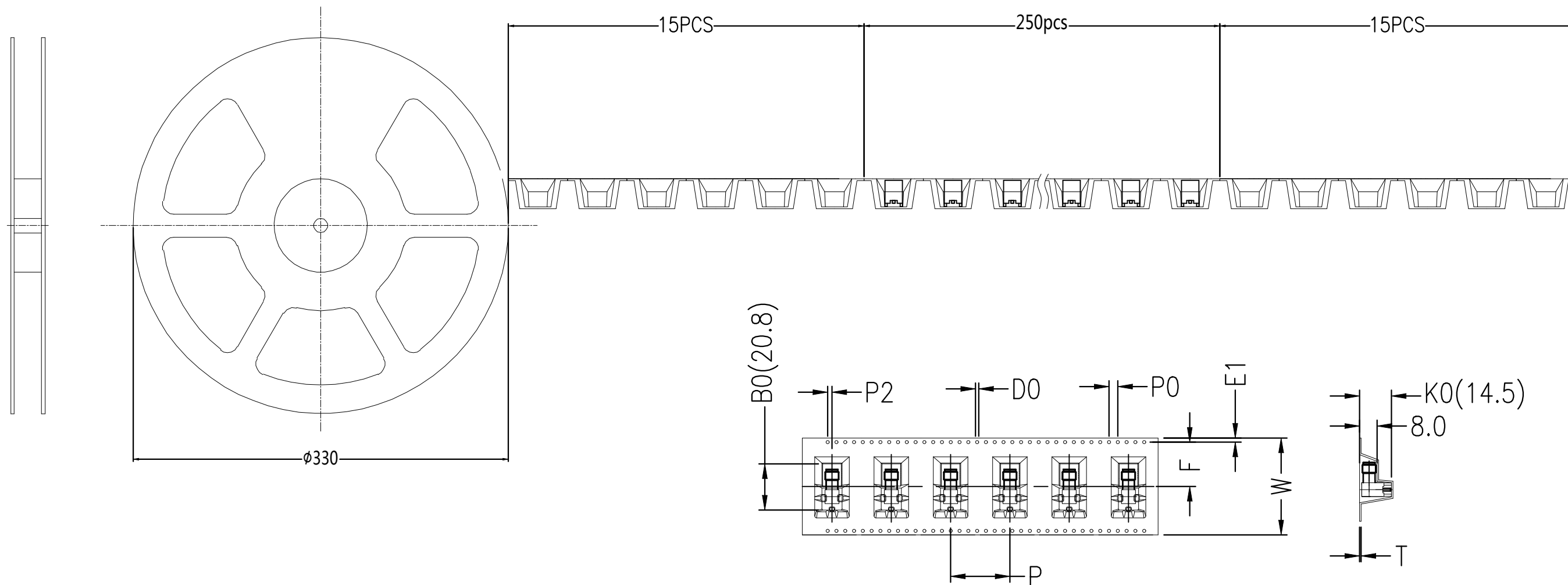
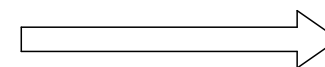
WEIGHT: 0.000000

CUSTOMER DRAWING

SCALE: NTS SHEET: 1 OF 2 REV: F2

P	LTR	DESCRIPTION	DATE	DWN	APVD
-	-	SEE SHEET 1	-	-	-

TAPE AND REEL PACKAGING SPEC FOR 3-1478978-2



symbol	AO	BO	KO	PO	P	P2
Spec	N/A	20.8±0.10	14.5±0.10	4.00±0.10	20.0±0.10	2.00±0.15
symbol	W	T	E1	F	DO	
Spec	44.0±0.30	0.50±0.05	1.75±0.10	20.2±0.15	1.50 ^{+0.1} ₀	

THIS DRAWING IS A CONTROLLED DOCUMENT.		DWN J.SANDWELL 09DEC03	STE TE Connectivity			
DIMENSIONS: mm		CHK S.PARLOW 09DEC03				
TOLERANCES UNLESS OTHERWISE SPECIFIED:		APVD F.WHEELER-KING 09DEC03	NAME SMA RIGHT ANGLE PCB SOCKET RECEPTACLE			
0 PLC ± -		PRODUCT SPEC	-			
1 PLC ± 0.2		APPLICATION SPEC	-			
2 PLC ± 0.1		WEIGHT 0.000000	SIZE A3	CAGE CODE 00779	DRAWING NO C-1478978	RESTRICTED TO -
3 PLC ± -		MATERIAL SEE TABLE	CUSTOMER DRAWING		SCALE NTS	SHEET 2 OF 2
4 PLC ± -			FINISH -		REV F2	
ANGLES ± 5°						