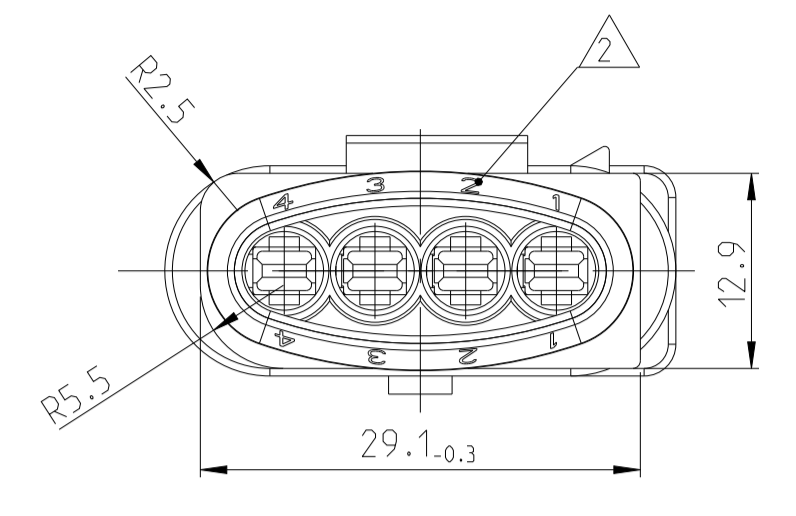
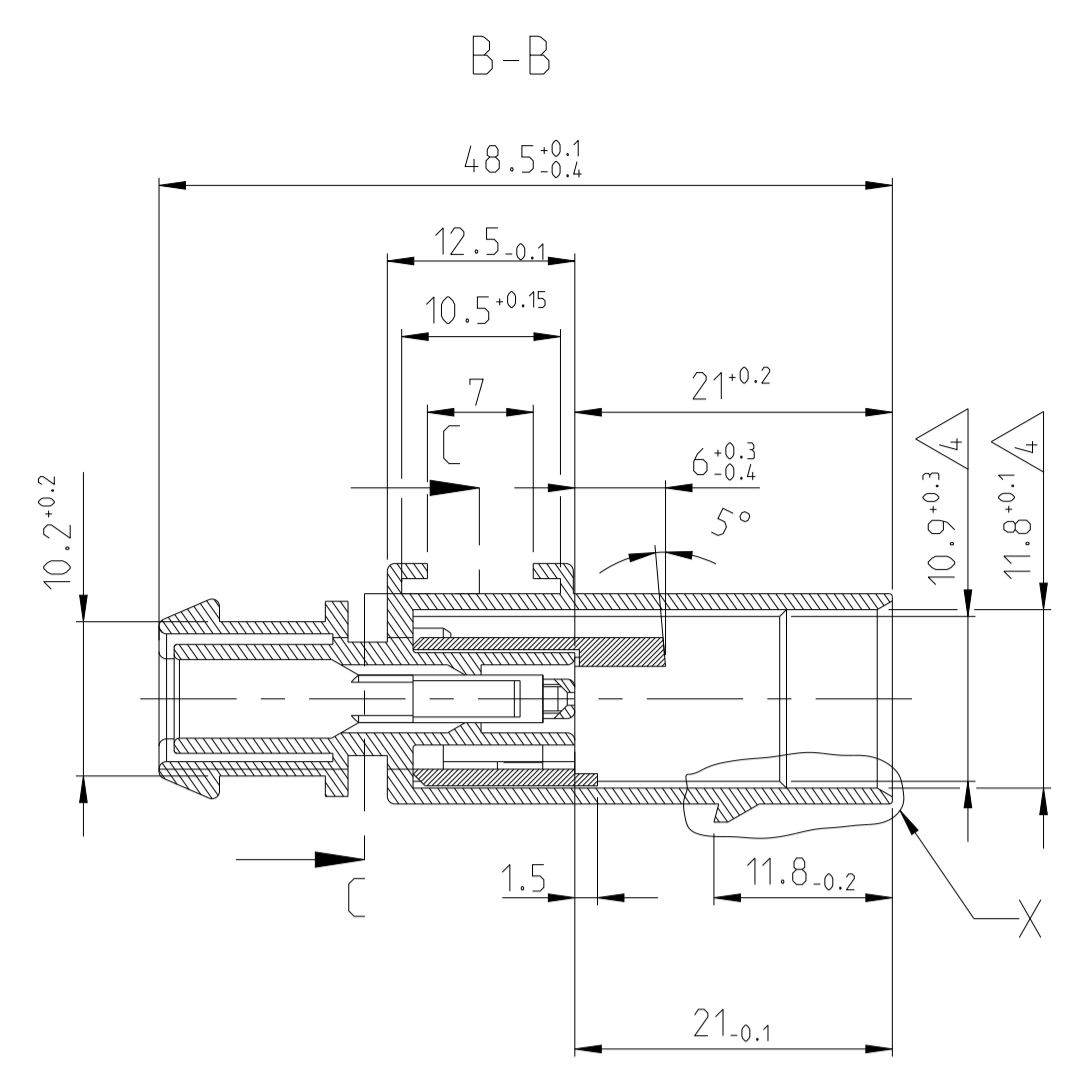
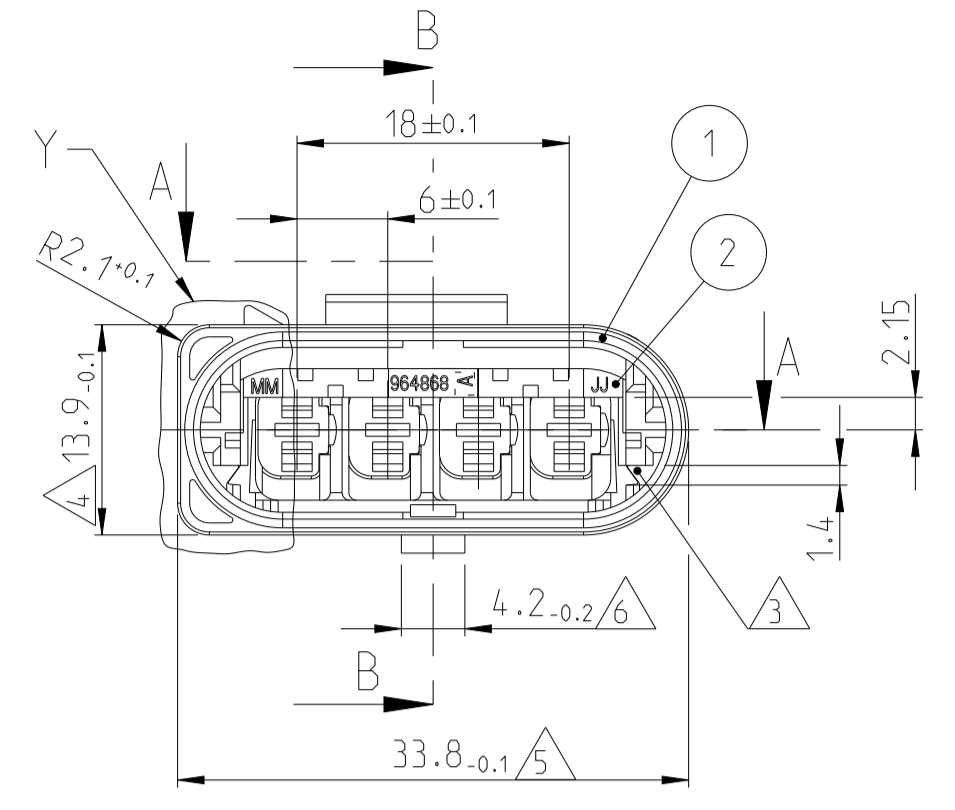
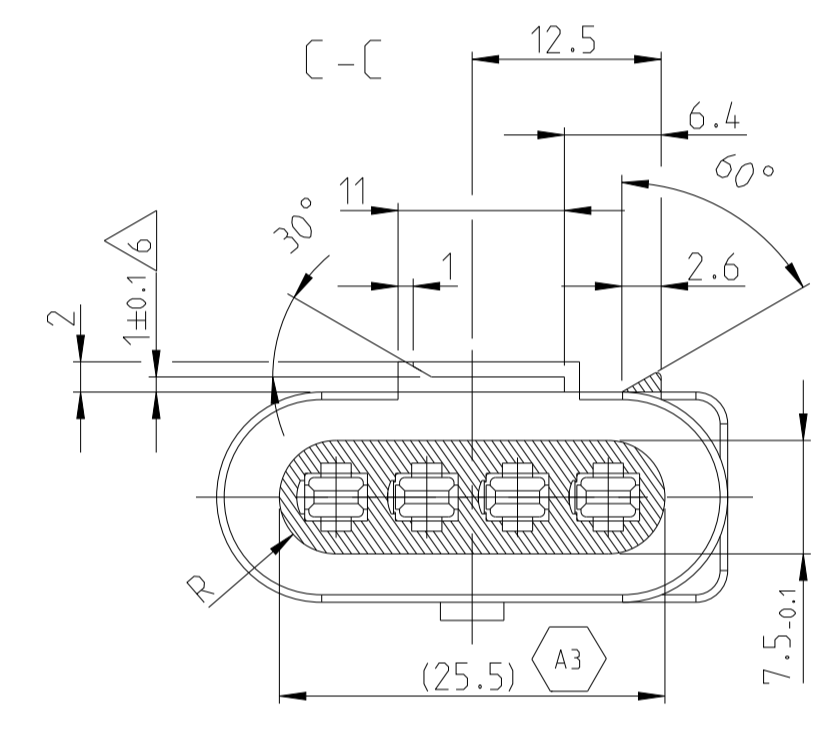
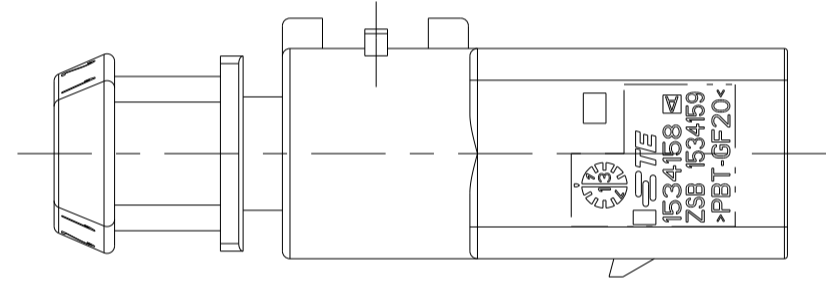
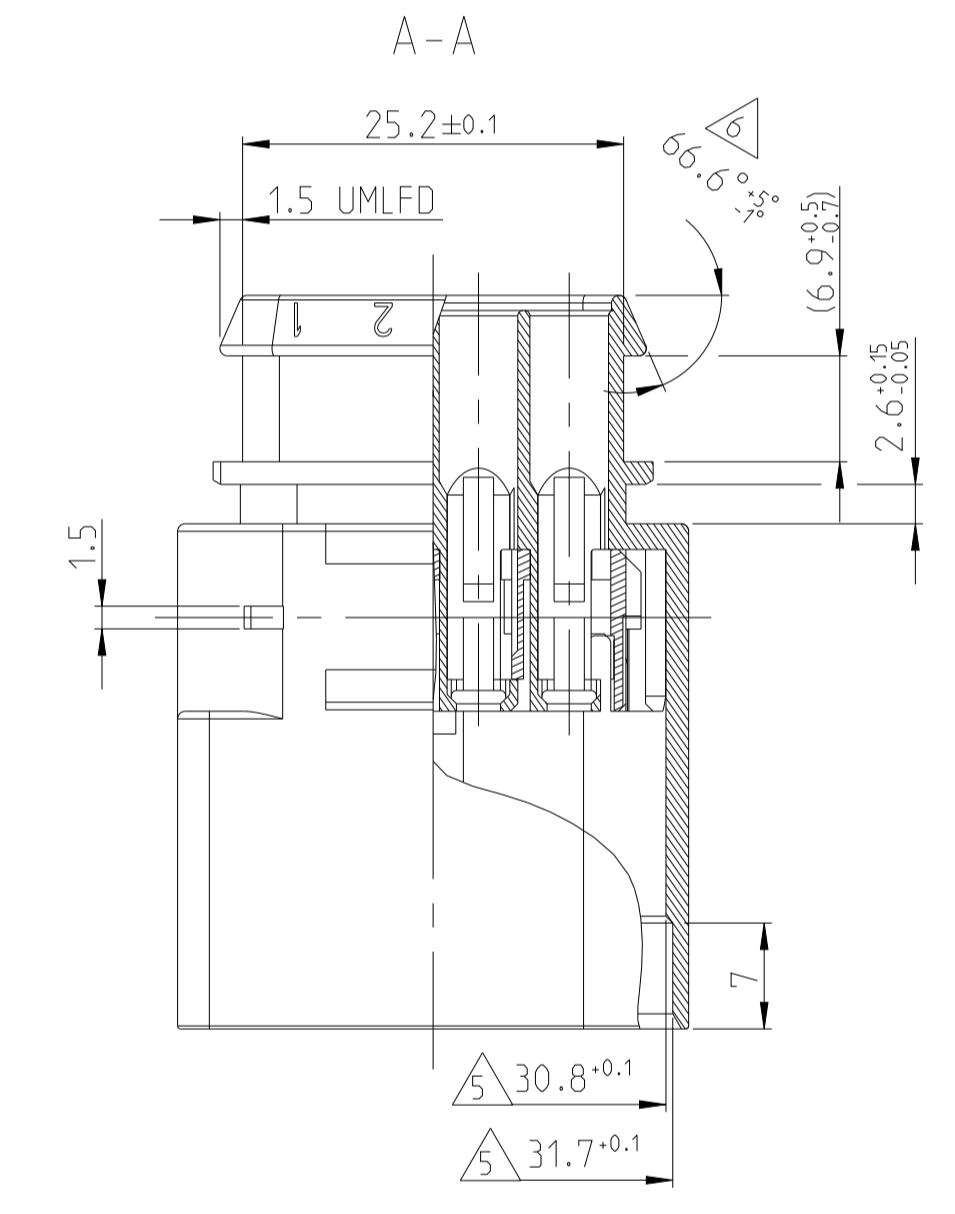


LOC	DIST	REV	LTN	REVISIONS ÄNDERUNGEN	DESCRIPTION	DATE	DWN	APVD
A1	-	A		NEW DRAWING / ZEICHNUNG NEU GESTELLT		25JUL2001	K.G.	Thiel
		A1		-1 OBSOLETE / -1 nicht verfügbar		17FEB2009	Schae	Thiel
		A2		-1 ACTIVE		16MAY2013	MR	RBT
		A3		25.5 MADE AS A REFERENCE DIMENSION		05MAR2024	J.T	M.D

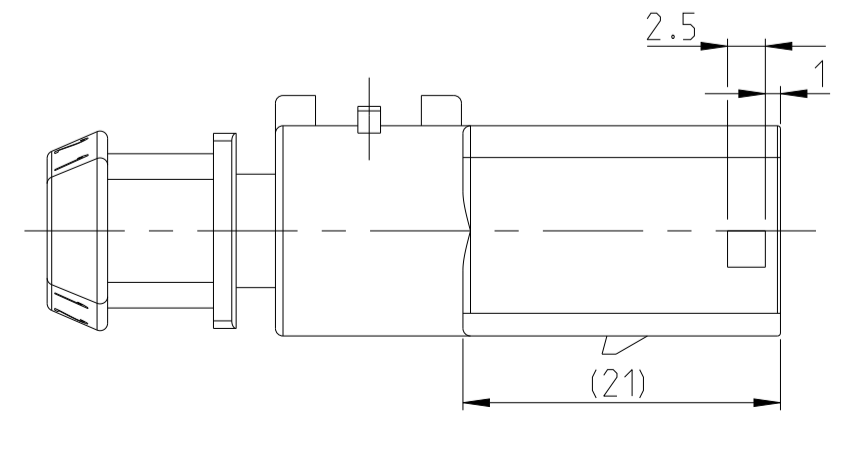
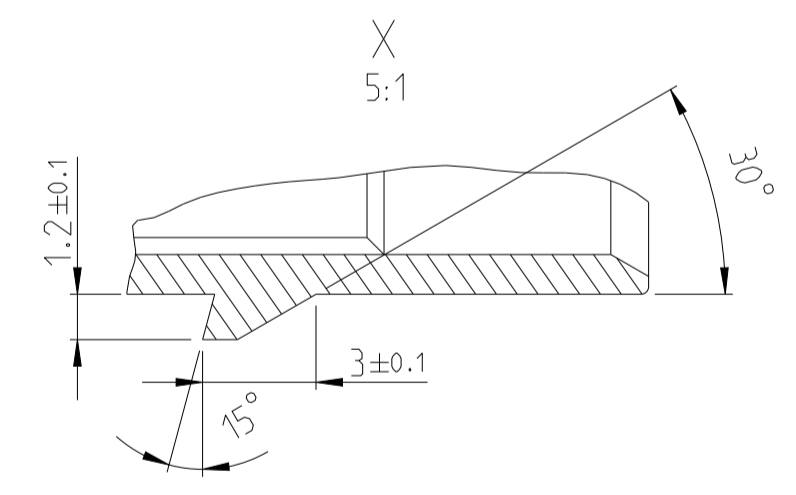


- 1 UNDIMENSIONED RADII R0.5/ WALL THICKNESS EXCEPT AS NOTED 1±0.1
- 2 CONTACT CAVITY NUMBER
- 3 CONDITION AS SUPPLIED: RETAINER IN PRE-LOCKED POSITION. AFTER CONTACT LOADING TO DRIFT IN THIS DIRECTION (1.4mm)
- 4 ALLOWED WARPAGE -0.5
- 5 ALLOWED WARPAGE +0.2
- 6 DEVIATION ALLOWED FOR PARTS FROM OLD MOULD

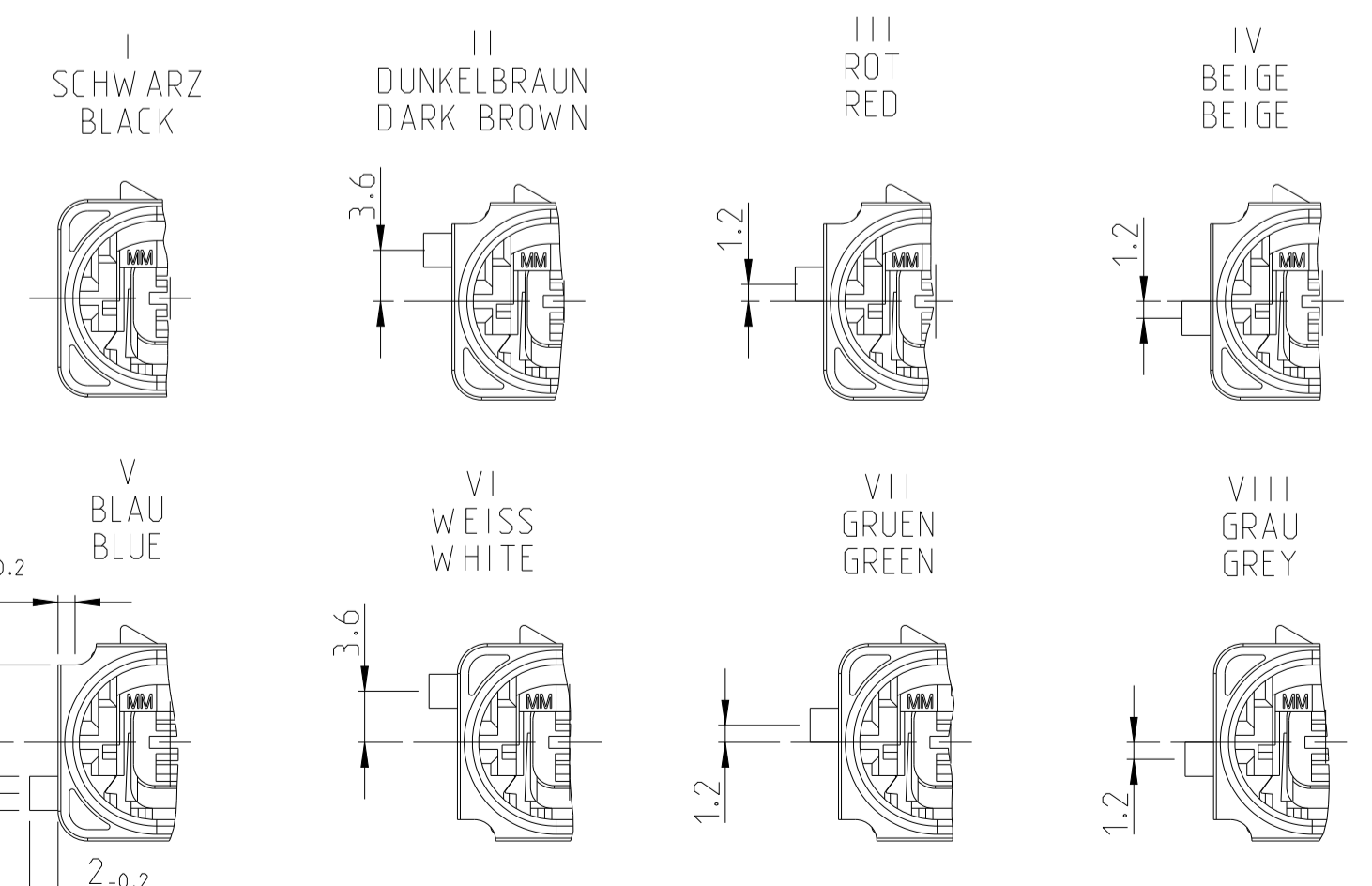


- 1 UNBEMASSTE RADIIEN R0.5/ UNBEMASSTE WANDSTÄRKEN 1±0.1
- 2 KONTAKTKAMMERNUMMER
- 3 LIEFERZUSTAND: VERRIEGELUNG IN VORRSTELLUNG. NACH KONTAKTBESTUECKUNG IN DIESER RICHTUNG VERSCHIEBEN (1.4mm)
- 4 ZULAESSIGER VERZUG -0.5
- 5 ZULAESSIGER VERZUG +0.2
- 6 ABWEICHUNGEN ERLAUBT FUER TEILE AUS ALTEM WERKZEUG

MM WIRE DIA LEITER-Ø	MM² WIRE SIZE QUERSCHNITT	TYP	2.8 CONTACT/WIRE SEAL KONTAKT/LEITERDICHTG	RETAINER SHIFTING TOOL VERRIEGELUNGSVERSCHIEBEWERKZEUG	MATING PART GEGENSTUECK
1.2-1.4	0.35	FLR	964298 / 963294	2-135514-9-1	1718562-1
1.4-1.6	0.5	FLR	964300 / 963294		
1.7-1.9	0.75	FLR	964300 / 963294		
1.9-2.1	1.0	FLR	964300 / 963294		
2.2-2.4	1.5	FLR	964302 / 963293		
2.7-3.0	2.5	FLR	964302 / 963292		
PLUG BLINDSTOPFEN	-	-	F17544 GREEN (FROM VERITAS)		



Y 2:1



TE Connectivity

TE CONNECTIVITY

NAME: TAB HOUSING ASSY, 4 POSN. RADIAL SEAL, 2.8MM  
 PRODUCT SPEC: 108-18180  
 APPLICATION SPEC: VERARBEITUNGSPEZ. 114-10131

SIZE: A1 CAGE CODE: 00779 DRAWING NO: 1534159  
 RESTRICTED TO: NUR FUER

MATERIAL: SEE TABLE WEIGHT: 10.9g Customer Drawing

DATE: 25 JUL 2001  
 DIMENSIONING AND TOLERANCING PER: ISO STANDARDS  
 DIMENSIONS: MASSENHEITEN: MM

TOLEANCES UNLESS OTHERWISE SPECIFIED ACC. TO DIN 16901-140 CENTRIC TO NOMINAL DIMENSION. EDITION 1992-11 SHALL APPLY. Feinmasstoleranzen nach DIN 16901-140. Es gilt die Ausgabe 1992-11.

THIS DRAWING IS A CONTROLLED DOCUMENT. DIMENSIONING AND TOLERANCING PER ISO STANDARDS.

DW: K. Gossen, F. Thiel, L. Mix

DATE: 25 JUL 2001

SCALE: MASSSTAB 2:1 SHEET: 1 OF 1 REV: A3