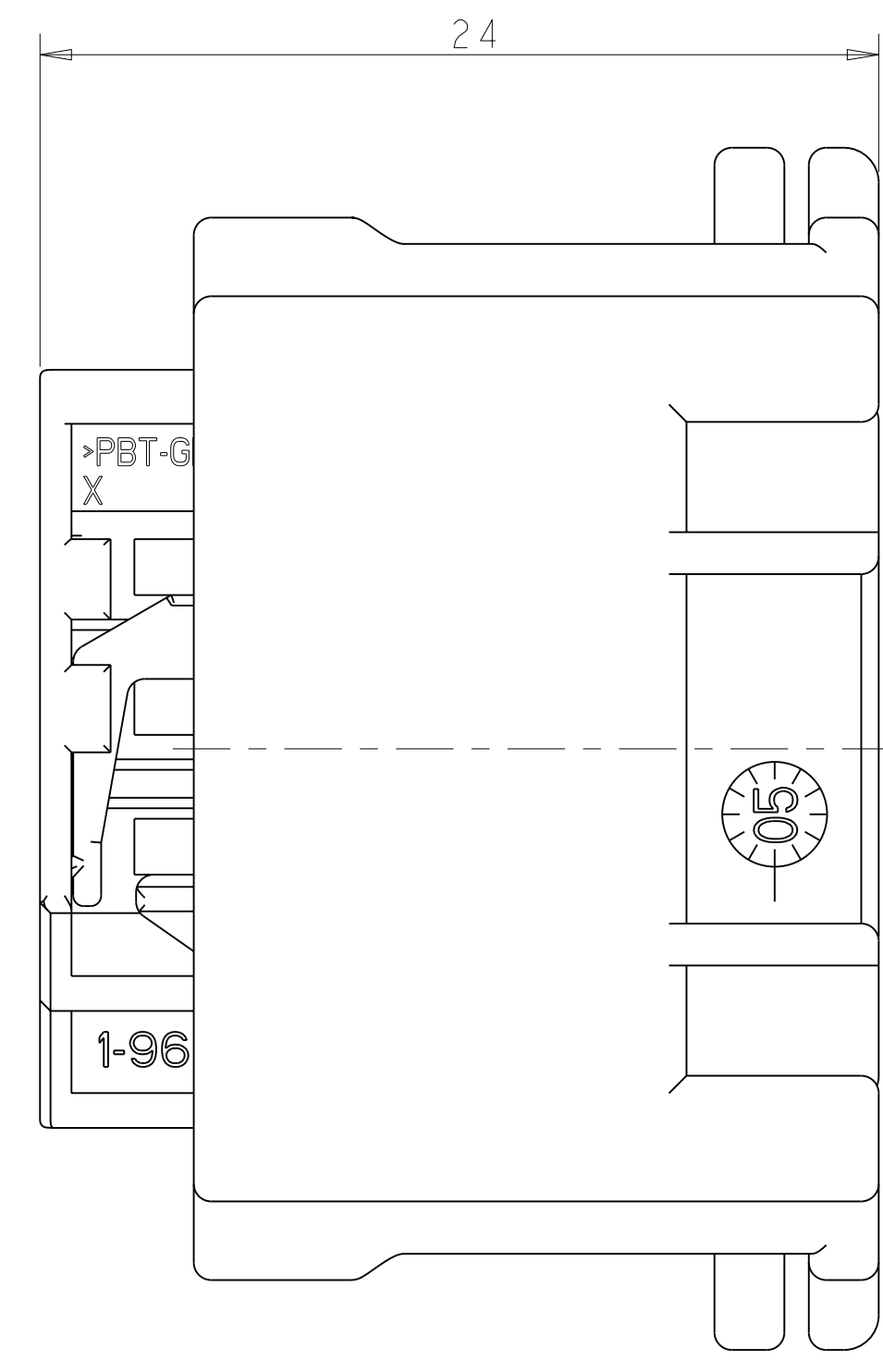
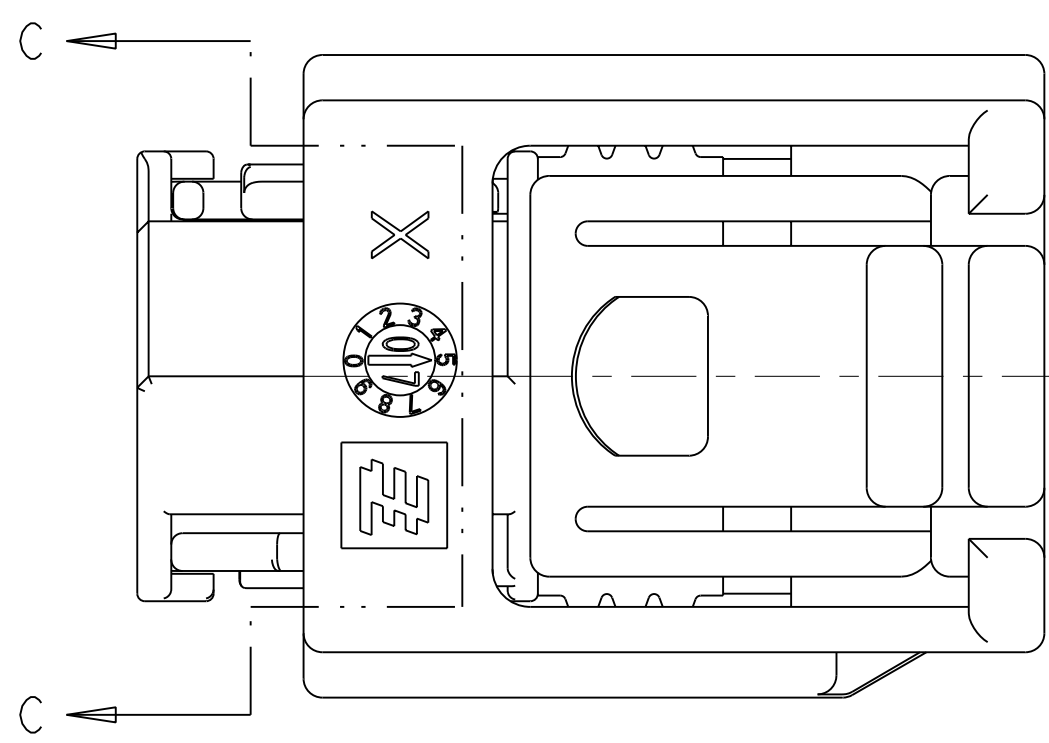
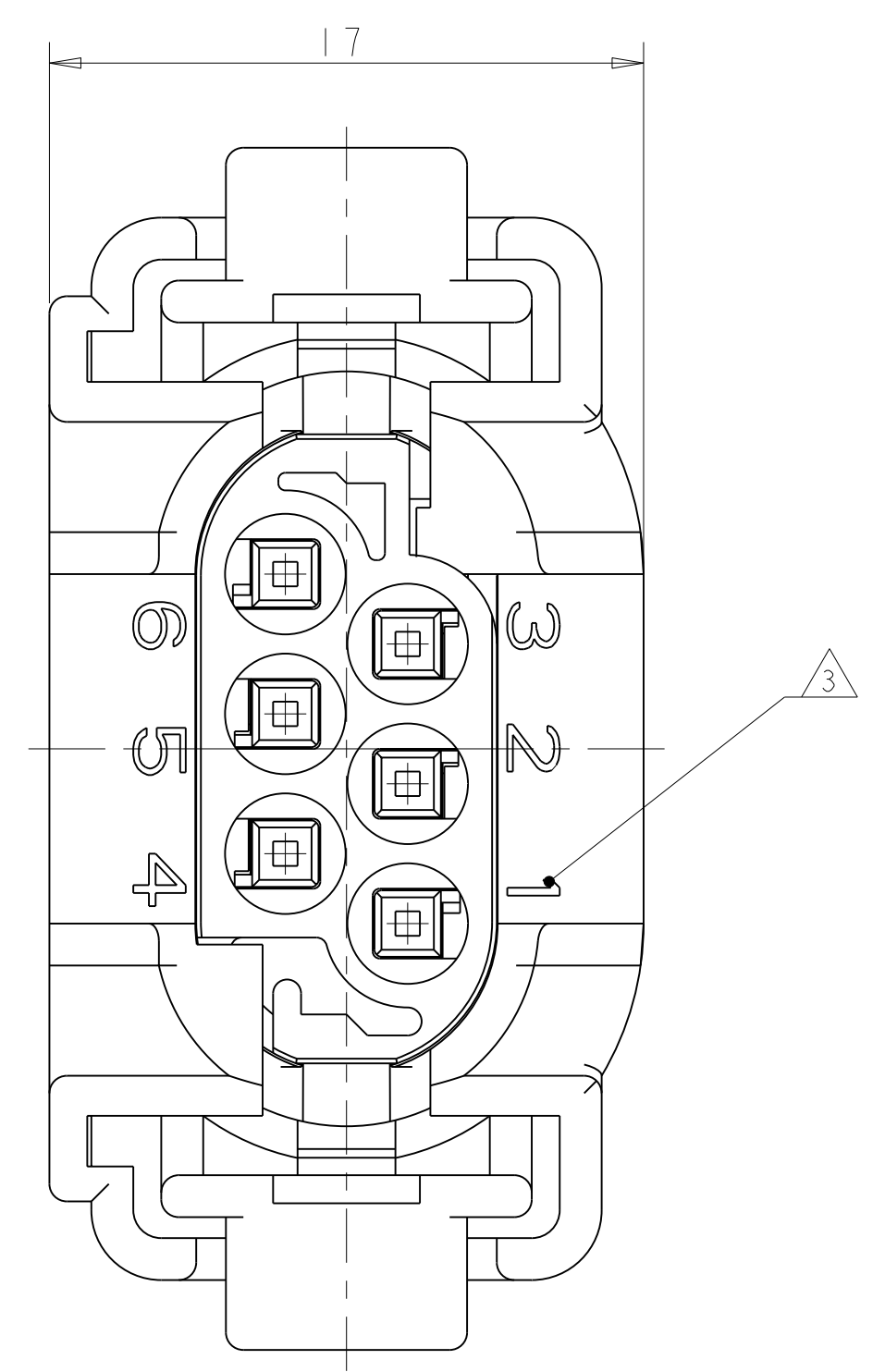
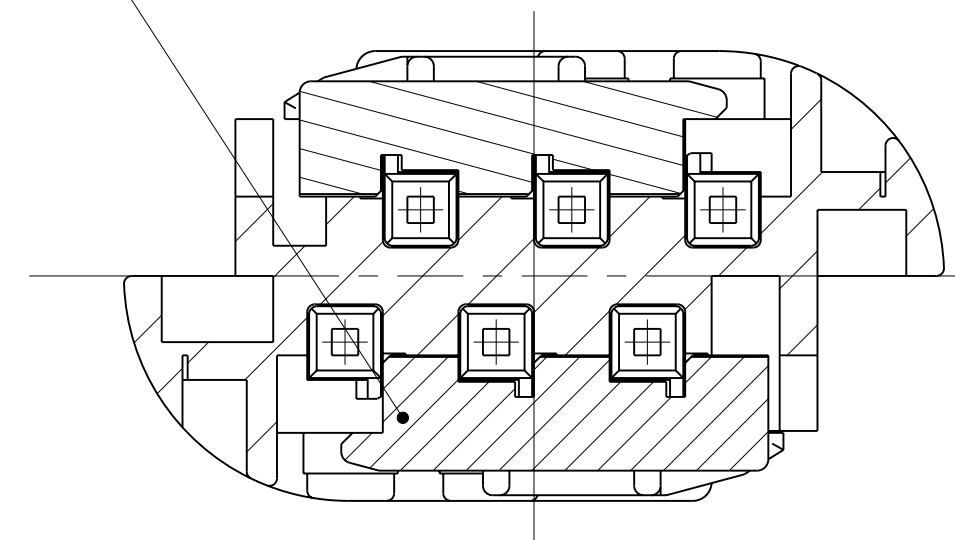
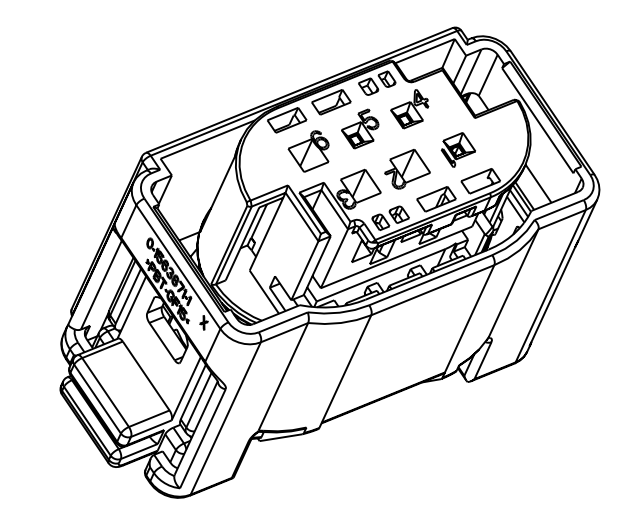
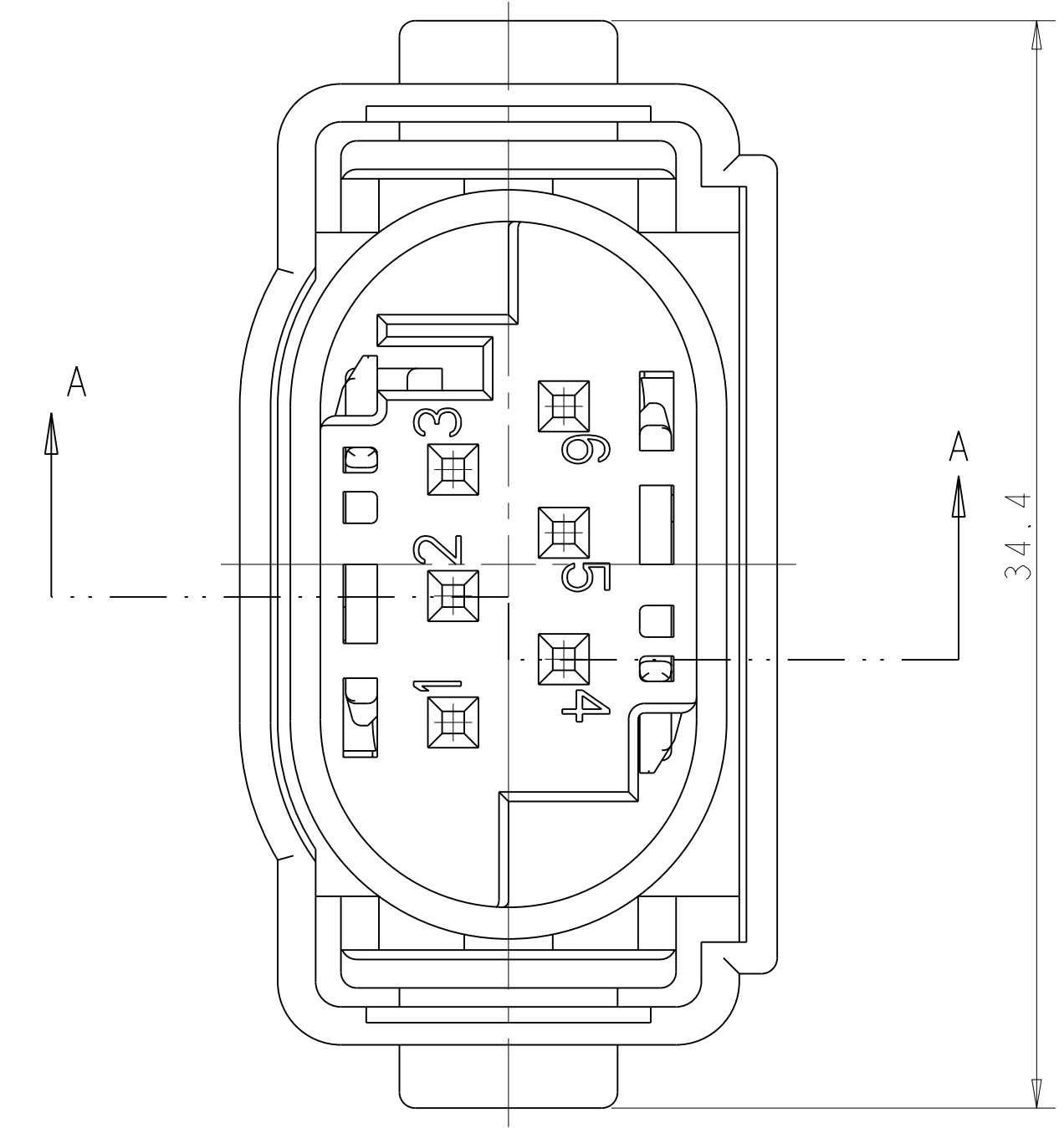
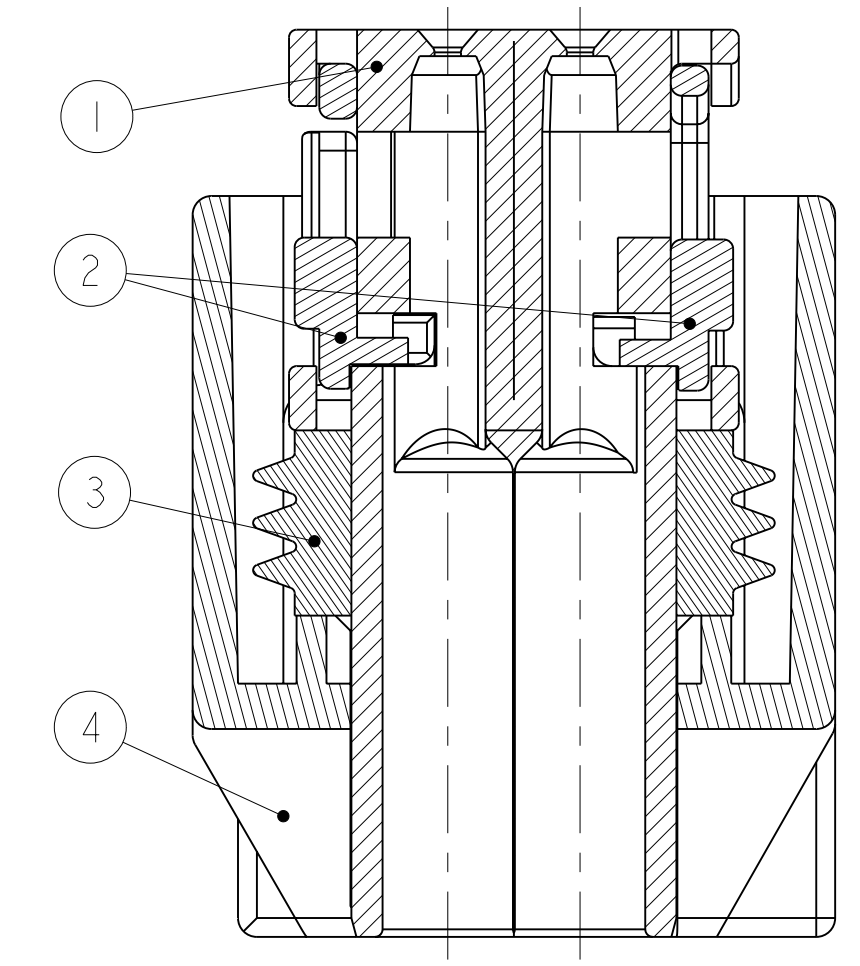


LIEFERZUSTAND
 2. Kontaktsicherung in Vorrastellung
 CONDITION ON DELIVERY
 RETAINER IN PRELOCKED POSITION



SECTION A-A

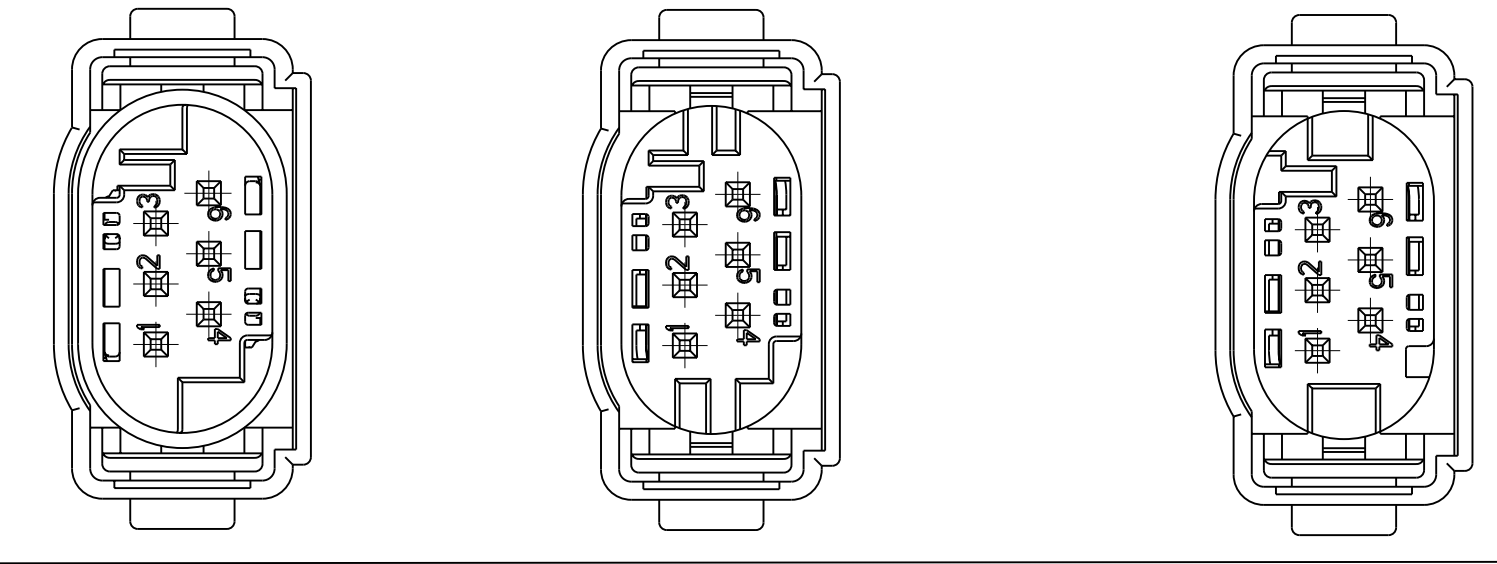


- Bemerkungen :
 NOTES:
- 1 INTERFACE: 114-18063-126
 - 2 SUITABLE TERMINAL FOR SINGLE WIRE SEAL
 TE-PN: 962885 (0.2 - 0.5 mm²)
 965906 (0.75mm²)
 - 3 PIN NUMBERING

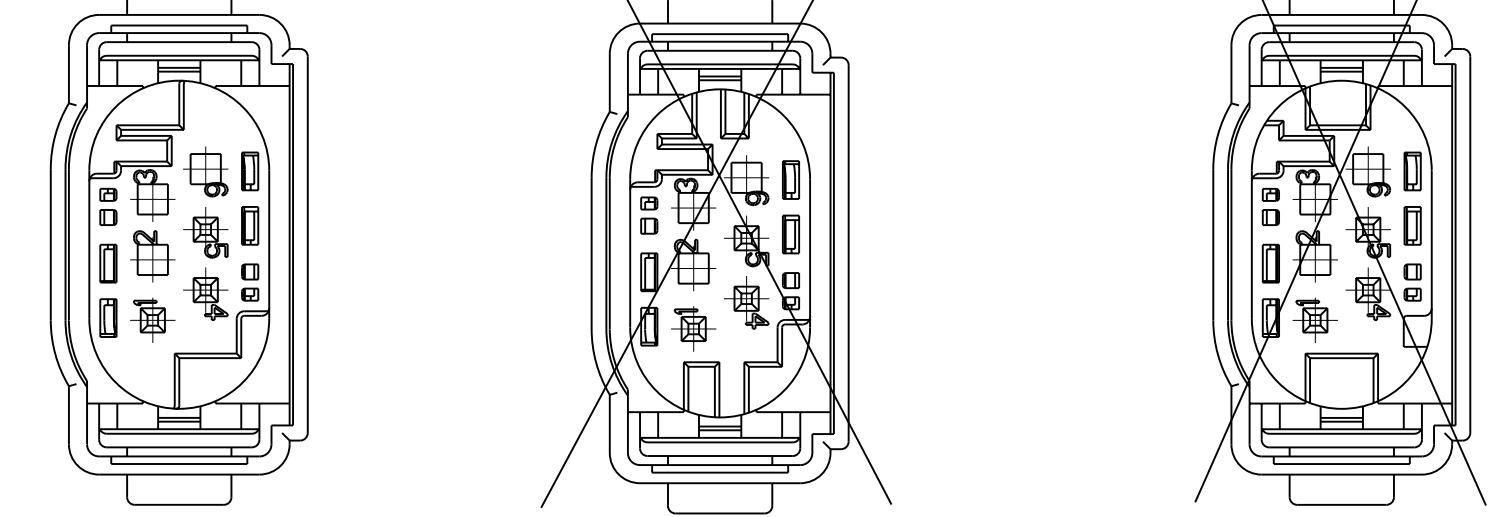
LOC	DIST	REV	DATE	BY	CHK	APPD
A1	-	A	10JAN08	AL	HR	
		A1	20FEB08	AL	HR	
		A2	17APR2008	AL	HR	
		A3	05SEP2008	AL	HR	

KODIERUNGEN / CODINGS 2:1

A BLACK/ schwarz 0-1563872-1
 B GREY/ grau 0-1563872-2
 C BLUE/ blau 0-1563872-3

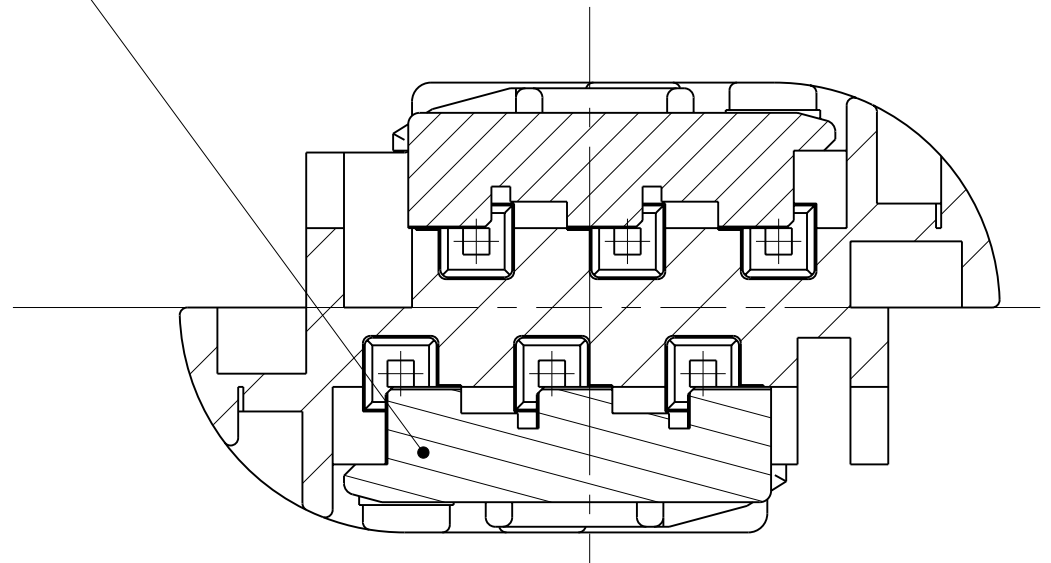


A BLACK/ schwarz 1-1563872-1
 B GREY/ grau 1-1563872-2
 C BLUE/ blau 1-1563872-3



CAVITIES 2, 3 AND 6 BLANKED

2. Kontaktsicherung in Endrastellung
 RETAINER IN ENDOCKED POSITION



WIE GEZEICHNET
 AS SHOWN

ITEM NO.	QTY	DESCRIPTION	MATERIAL	COLOUR
2-967361-3	4	PROTECTIVE COVER 6 POS	PBT-GF 15	BLACK
	3	SEALING	LIQUID SILICON RUBBER MVO30	NATURAL
	2	RETAINER	PBT-GF 15	GREEN
	1	SOCKET HSG. 6 POS	PBT-GF 15	BLUE
	4	PROTECTIVE COVER 6 POS	PBT-GF 15	BLACK
	3	SEALING	LIQUID SILICON RUBBER MVO30	NATURAL
	2	RETAINER	PBT-GF 15	GREEN
	1	SOCKET HSG. 6 POS	PBT-GF 15	BLACK
	4	PROTECTIVE COVER 6 POS	PBT-GF 15	BLACK
	3	SEALING	LIQUID SILICON RUBBER MVO30	NATURAL
	2	RETAINER	PBT-GF 15	GREEN
	1	SOCKET HSG. 6 POS	PBT-GF 15	BLACK
	4	PROTECTIVE COVER 6 POS	PBT-GF 15	BLACK
	3	SEALING	LIQUID SILICON RUBBER MVO30	NATURAL
	2	RETAINER	PBT-GF 15	GREEN
	1	SOCKET HSG. 6 POS	PBT-GF 15	BLACK
	4	PROTECTIVE COVER 6 POS	PBT-GF 15	BLACK
	3	SEALING	LIQUID SILICON RUBBER MVO30	NATURAL
	2	RETAINER	PBT-GF 15	GREEN
	1	SOCKET HSG. 6 POS	PBT-GF 15	BLACK

DIMENSIONS: mm 	TOLERANCES UNLESS OTHERWISE SPECIFIED: 0 PLC ±0.5 1 PLC ±0.5 2 PLC ±0.5 3 PLC ±0.5 4 PLC ±0.5 ANGLES ±° FINISH -	DWN M. TRAJKOV 10JAN2008 CHK H. RIPPER 10JAN2008 APVD - PRODUCT SPEC 108-18272-0 APPLICATION SPEC 114-18061 WEIGHT 5.1 g CUSTOMER DRAWING	Tyco Electronics AMP GmbH 64625 Bensheim (Germany) NAME: MOS SOCKET HOUSING SWS, 6 POS. ASS'Y MOS Buchsengehäuse, EDS, 6 pol. Assy. SIZE CAGE CODE DRAWING NO. RESTRICTED TO A1100779C-1563872 SCALE 5:1 SHEET 1 OF 1 REV A3
-----------------------	---	---	--