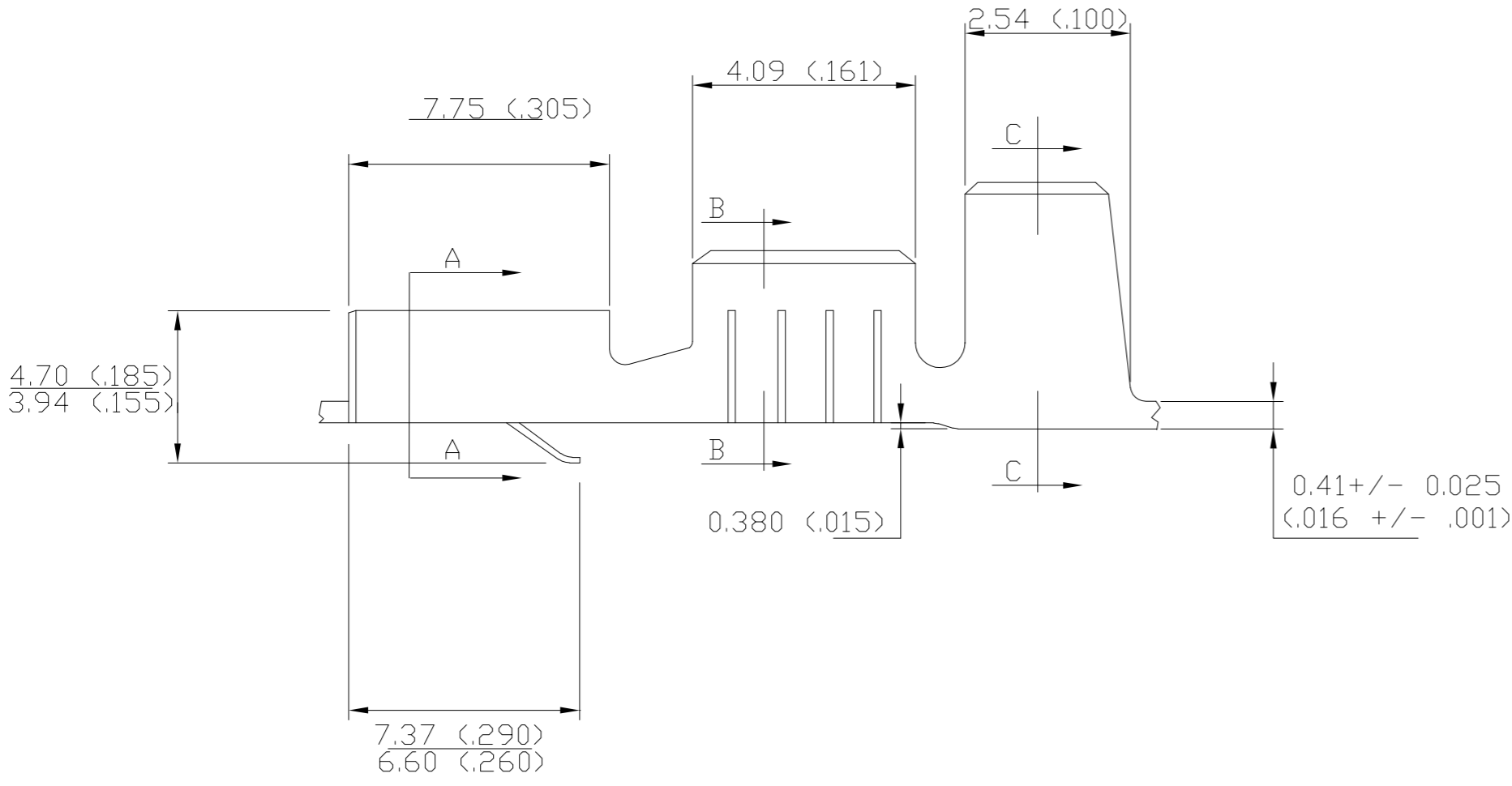
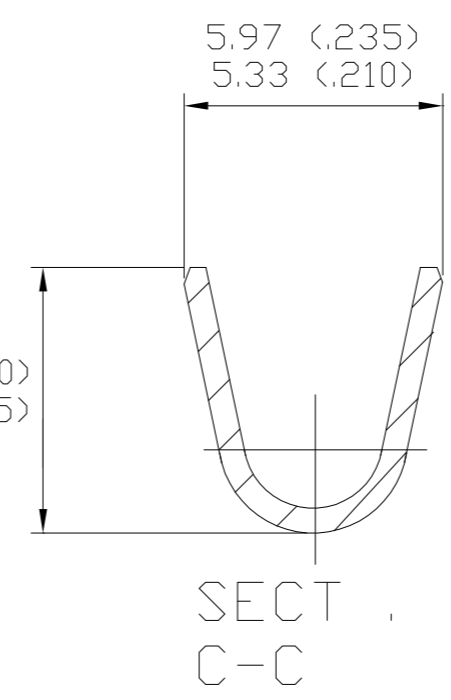
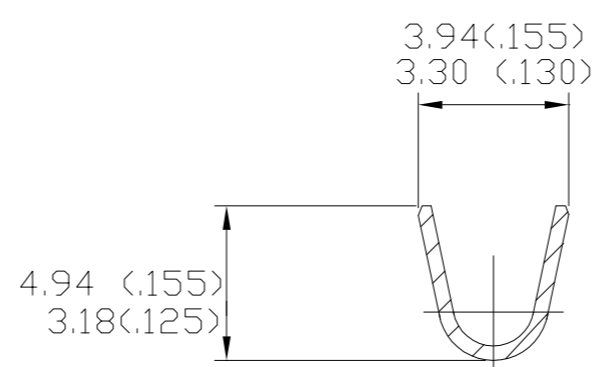
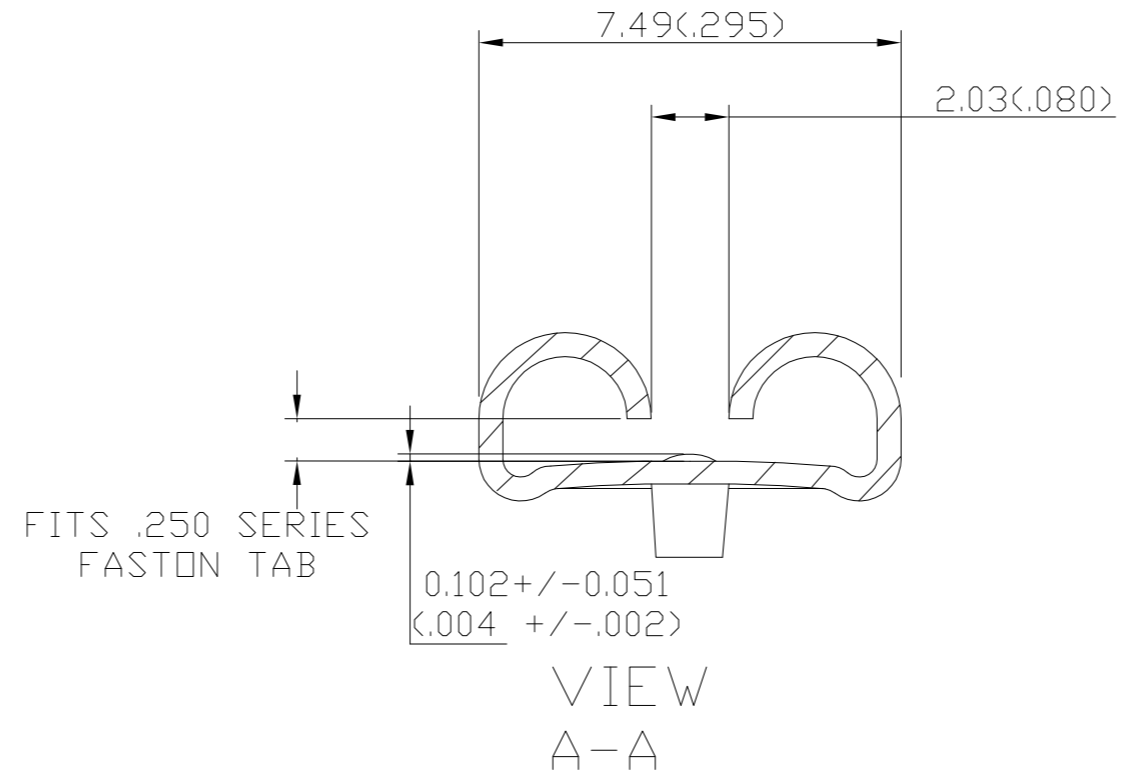
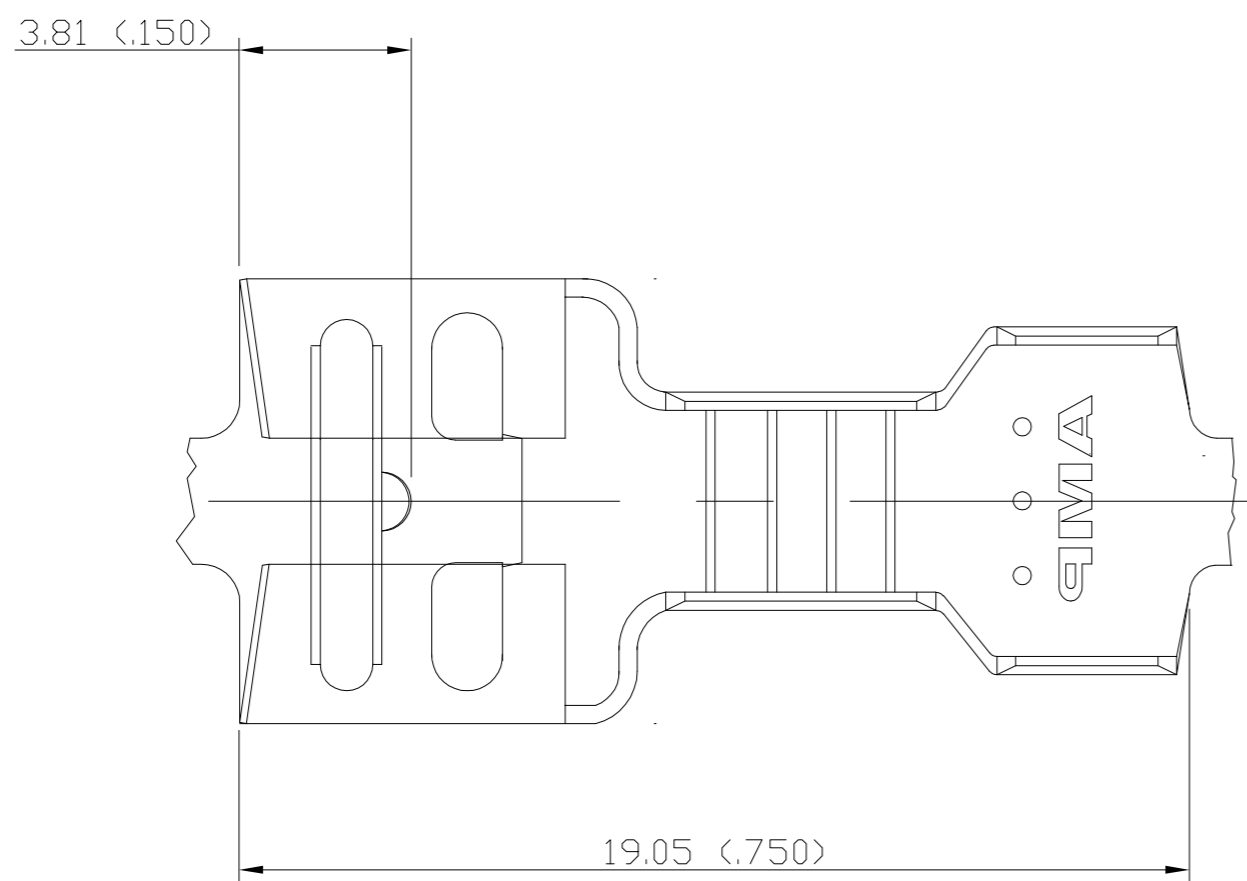


THIS DRAWING IS UNPUBLISHED. RELEASED FOR PUBLICATION  
 © COPYRIGHT BY TYCO ELECTRONICS CORPORATION. ALL RIGHTS RESERVED.

Loc	DIST	REVISIONS					
		P	LTR	DESCRIPTION	DATE	DWN	APVD
AF	50		B	REV PER 0G3A-0447-02	29JUL02	JR	ND
			B1	REVISED PER ECO-09-021826	21AUG09	KK	AEG

- 1 CONTINUOUS STRIP ON REELS.
- 2 MATING TAB THK IS  $0.81 \pm 0.025$  [ $0.032 \pm 0.001$ ].
- 3 DIM'S IN BRACKETS ARE IN INCHES
- 4 OBSOLETE PARTS: OBSOLETE CIS STREAMLINING PER D.RENAUD/D.SINISI



2.54-4.32 [.100-.170]	0.8-2.0mm [18-14]	TIN	157480-2
2.54-4.32 [.100-.170]	0.8-2.0mm [18-14]	NONE	157480-1
INSULATION RANGE	WIRE SIZE	FINISH	PART NO.

4 OBSOLETE

THIS DRAWING IS A CONTROLLED DOCUMENT.		DWN I.SOLIS 29JUL2002	Tyco Electronics Corporation Harrisburg, PA 17105	
DIMENSIONS: INCHES		CHK P. COON 29JUL02	NAME RECEPTACLE, FASTON-FASTON, .250 SERIES	
TOLERANCES UNLESS OTHERWISE SPECIFIED:		APVD I.SOLIS 29JUL02	PRODUCT SPEC	
0 PLC ± -		APPLICATION SPEC		
1 PLC ± -		WEIGHT -		
2 PLC ± .020		SIZE A2 CAGE CODE 00779 C=157480		
3 PLC ± .010		DRAWING NO 157480		
4 PLC ± -		RESTRICTED TO -		
ANGLES ± -		SCALE NTS SHEET 1 OF 1 REV B1		
MATERIAL BRASS		FINISH SEE TABLE		
CUSTOMER DRAWING				