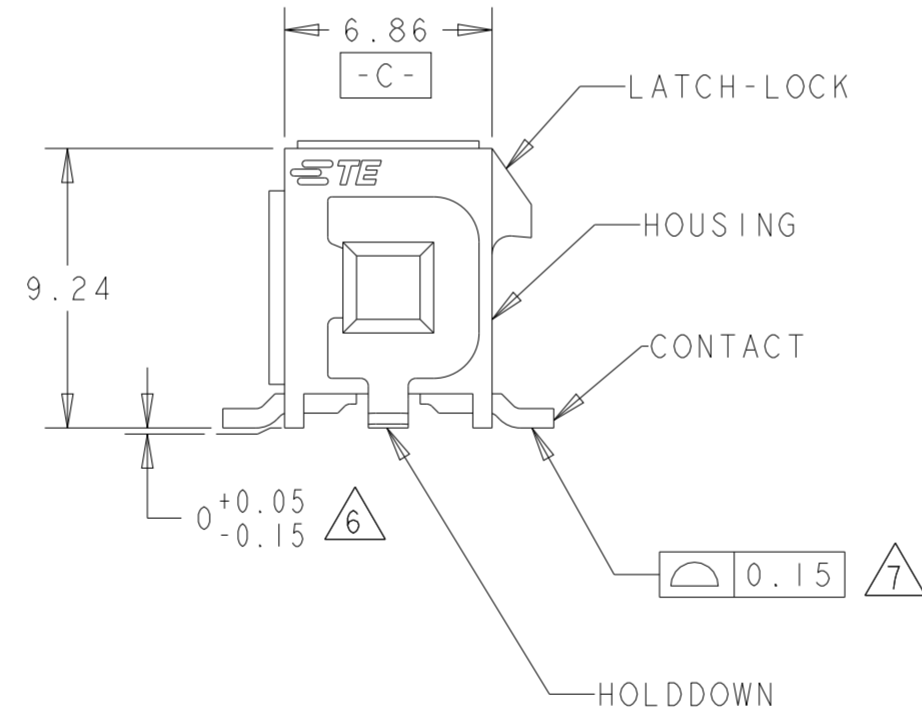
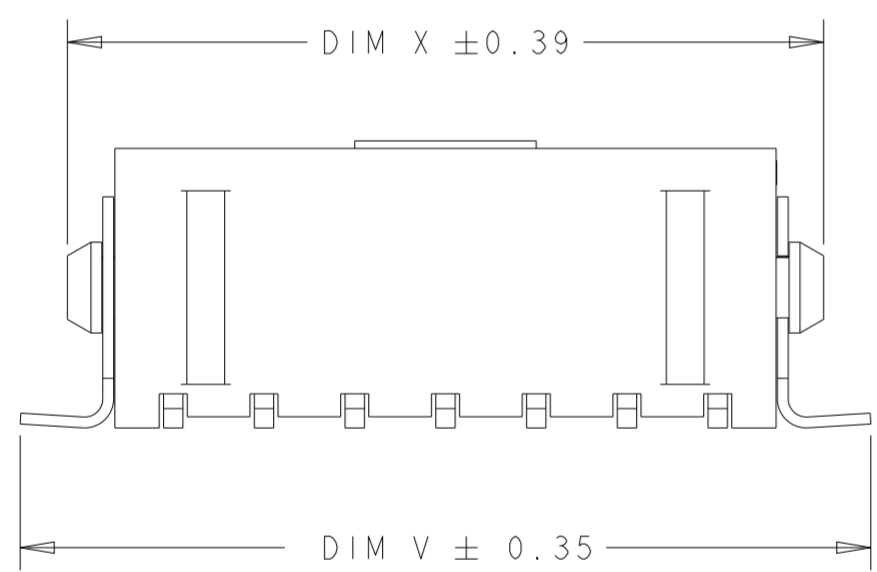
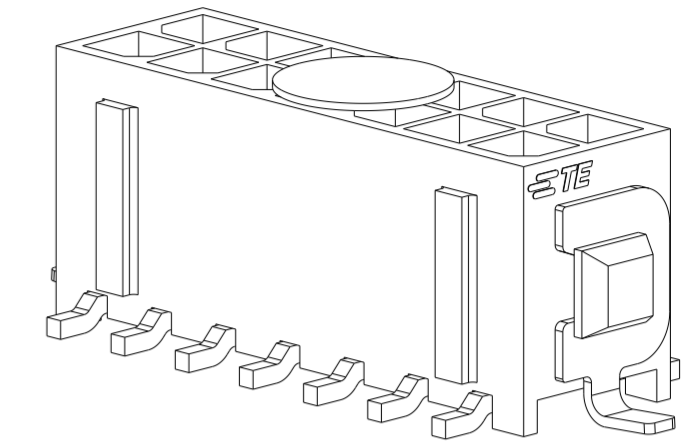
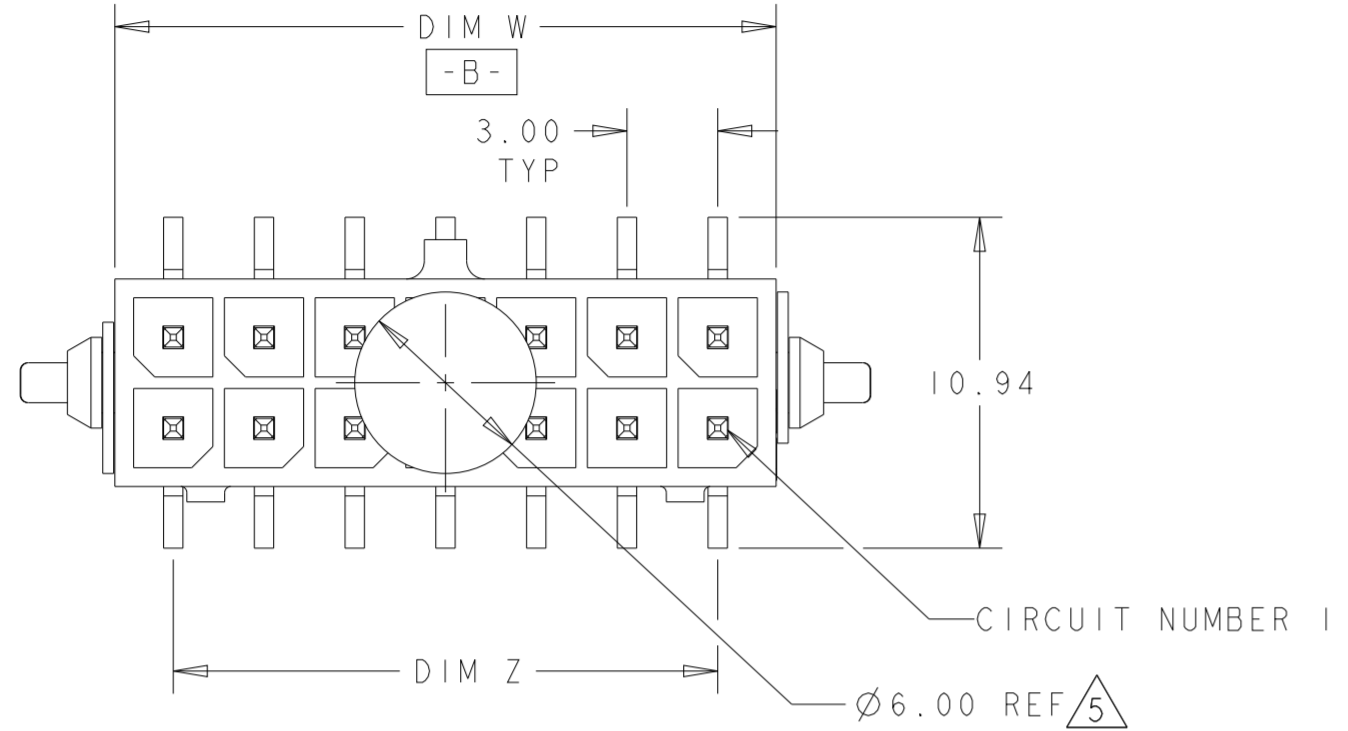


THIS DRAWING IS UNPUBLISHED. RELEASED FOR PUBLICATION 20
 © COPYRIGHT 20 BY - ALL RIGHTS RESERVED.

REVISIONS					
P	LTR	DESCRIPTION	DATE	DWN	APVD
C1		REVISED PER ECR-17-017609	04DEC2017	JB	DZ
C2		ECO-19-006934	13MAY2019	AP	WS
C3		REVISED PER ECN-23-206968	12APR2023	WLS	VS
C4		REVISED PER ECN-24-255994	12MAR2024	WLS	VS



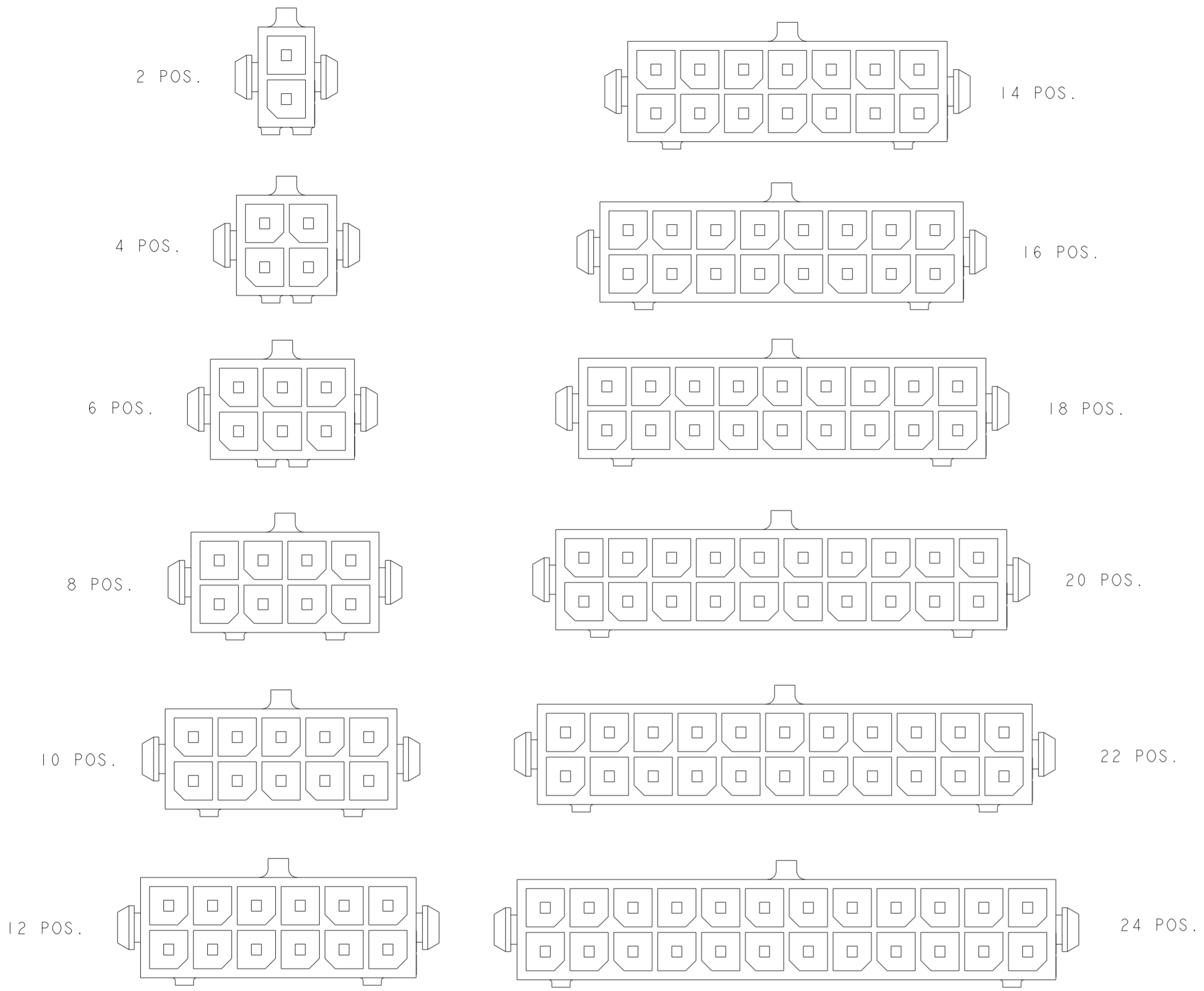
- 1 MATERIAL:
HOUSING - UL 94V-0 RATED HIGH TEMP NYLON, COLOR BLACK.
CONTACTS - BRASS.
HOLDDOWNS - PHOSPHOR BRONZE.
- 2 PLATING:
CONTACTS - 2.54µm MINIMUM MATTE TIN OVER 1.27µm MINIMUM NICKEL.
HOLDDOWNS - 2.54µm MINIMUM MATTE TIN OVER 1.27µm MINIMUM NICKEL.
- 3. SPECIAL PACKAGING FOR IEC 286-3 REQUIREMENT. PARTS ORIENTED TAPE 180° DIFFERENT IN TAPE THAN STANDARD PART NUMBER 794636.
- 4 RECOMMENDED PC BOARD THICKNESS OF 1.57.
- 5 KAPTON VACUUM PICK UP BUTTON.
- 6 DIMENSION APPLIES TO SOLDERTAIL SURFACES AND STANDOFF SURFACES.
- 7 ALL SOLDERTAILS AND HOLD DOWNS.
- 8 COUNTERPART RECOMMENDED IS PN 794617 (DASH ACC. TO NUMBER OF POSITION).
- 9 FOR REELING DIRECTION AND PACKAGING TYPE, SEE SPECIFICATION 114-13000.

	37.04	30.86	34.27	27.00	34.00	20	2-1586842-0
	31.04	24.86	28.27	21.00	28.00	16	1-1586842-6
OBSELETE	25.04	18.86	22.27	15.00	22.00	12	1-1586842-2
OBSELETE	19.04	12.86	16.27	9.00	16.00	8	1586842-8
	16.04	9.86	13.27	6.00	13.00	6	1586842-6
	13.04	6.86	10.27	3.00	10.00	4	1586842-4
	10.04	3.86	7.27	-	7.00	2	1586842-2
	DIM V	DIM W	DIM Y	DIM Z	DIM X	NO. OF POSN.	ASSEMBLY

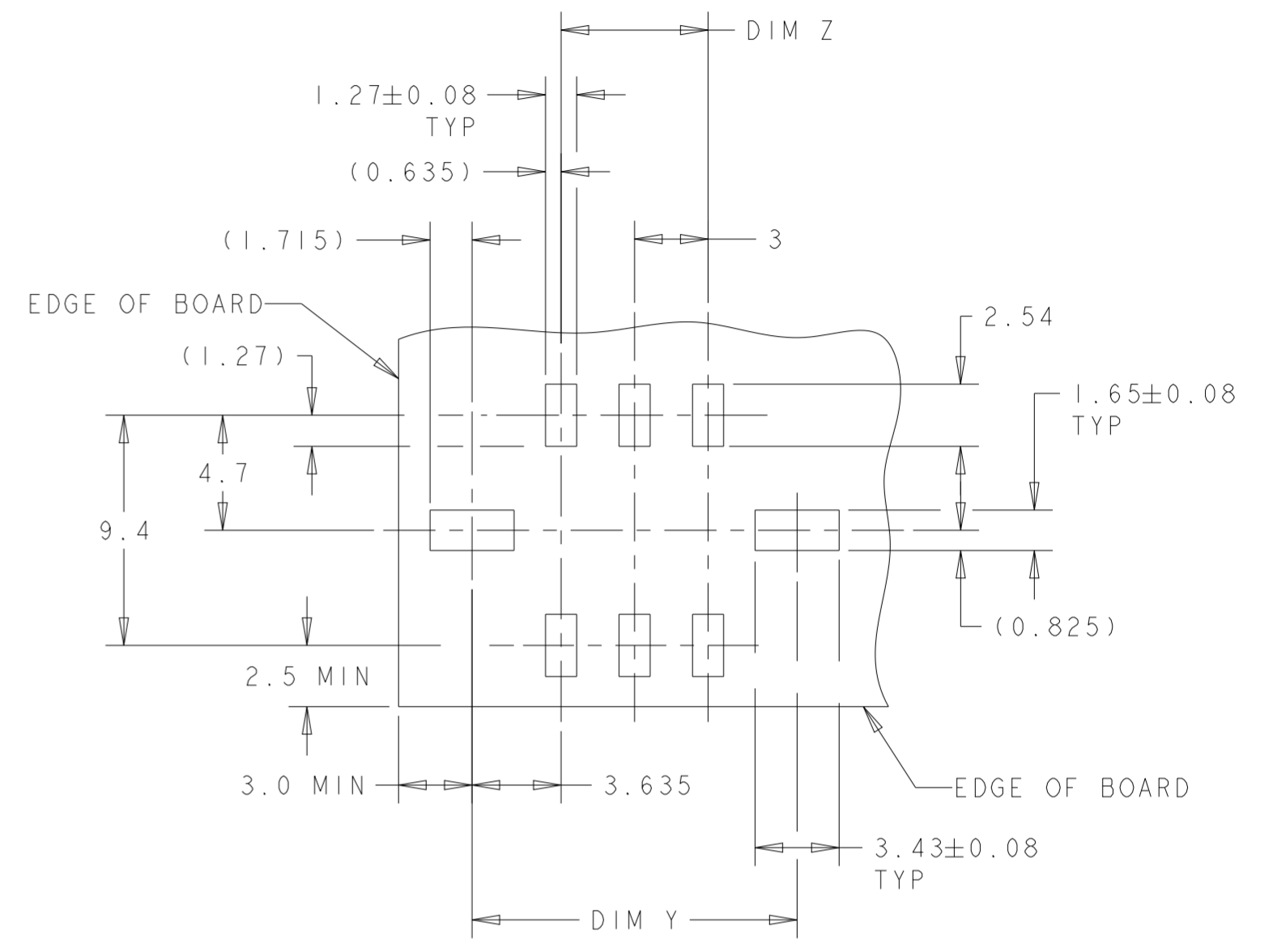
THIS DRAWING IS A CONTROLLED DOCUMENT.		DWN K. WHITAKER 05NOV2007	TE Connectivity			
DIMENSIONS: mm		CHK C. JONES 05NOV2007				
TOLERANCES UNLESS OTHERWISE SPECIFIED:		APVD C. JONES 05NOV2007	NAME HEADER ASSY, VERTICAL, SURFACE MOUNT, SURF MNT HOLDDOWN, TIN, DUAL ROW, SPCL PKGNG, MICRO MATE-N-LOK (TM)			
0 PLC ± 1 PLC ± 2 PLC ±0.13 3 PLC ± 4 PLC ± ANGLES ±1° FINISH		PRODUCT SPEC 108-1836	SIZE A2	CAGE CODE -	DRAWING NO. C-1586842	RESTRICTED TO -
MATERIAL 1		APPLICATION SPEC 114-13000	WEIGHT -	SCALE 4:1		SHEET 1 OF 2
		CUSTOMER DRAWING		REV C4		

THIS DRAWING IS UNPUBLISHED. RELEASED FOR PUBLICATION 20
 © COPYRIGHT 20 BY - ALL RIGHTS RESERVED.

REVISIONS				
P	LTR	DESCRIPTION	DATE	APVD
-	-	SEE SHEET 1	-	-



KEYING BY POSITION SIZE



RECOMMENDED PCB LAYOUT (4)
(COMPONENT SIDE)

THIS DRAWING IS A CONTROLLED DOCUMENT.		DWN K. WHITAKER 05NOV2007	TE Connectivity	
DIMENSIONS: mm		CHK C. JONES 05NOV2007		
TOLERANCES UNLESS OTHERWISE SPECIFIED:		APVD C. JONES 05NOV2007	NAME HEADER ASSY, VERTICAL, SURFACE MOUNT, SURF MNT HOLDDOWN, TIN, DUAL ROW, SPCL PKGING, MICRO MATE-N-LOK (TM)	
0 PLC ±	1 PLC ±	PRODUCT SPEC 108-1836	SIZE A2	CAGE CODE -
2 PLC ±0.13	3 PLC ±	APPLICATION SPEC 114-13000	DRAWING NO C-1586842	RESTRICTED TO -
4 PLC ±	ANGLES ±1°	WEIGHT -	SCALE 4:1	SHEET 2 OF 2
MATERIAL -	FINISH -	CUSTOMER DRAWING	REV C4	