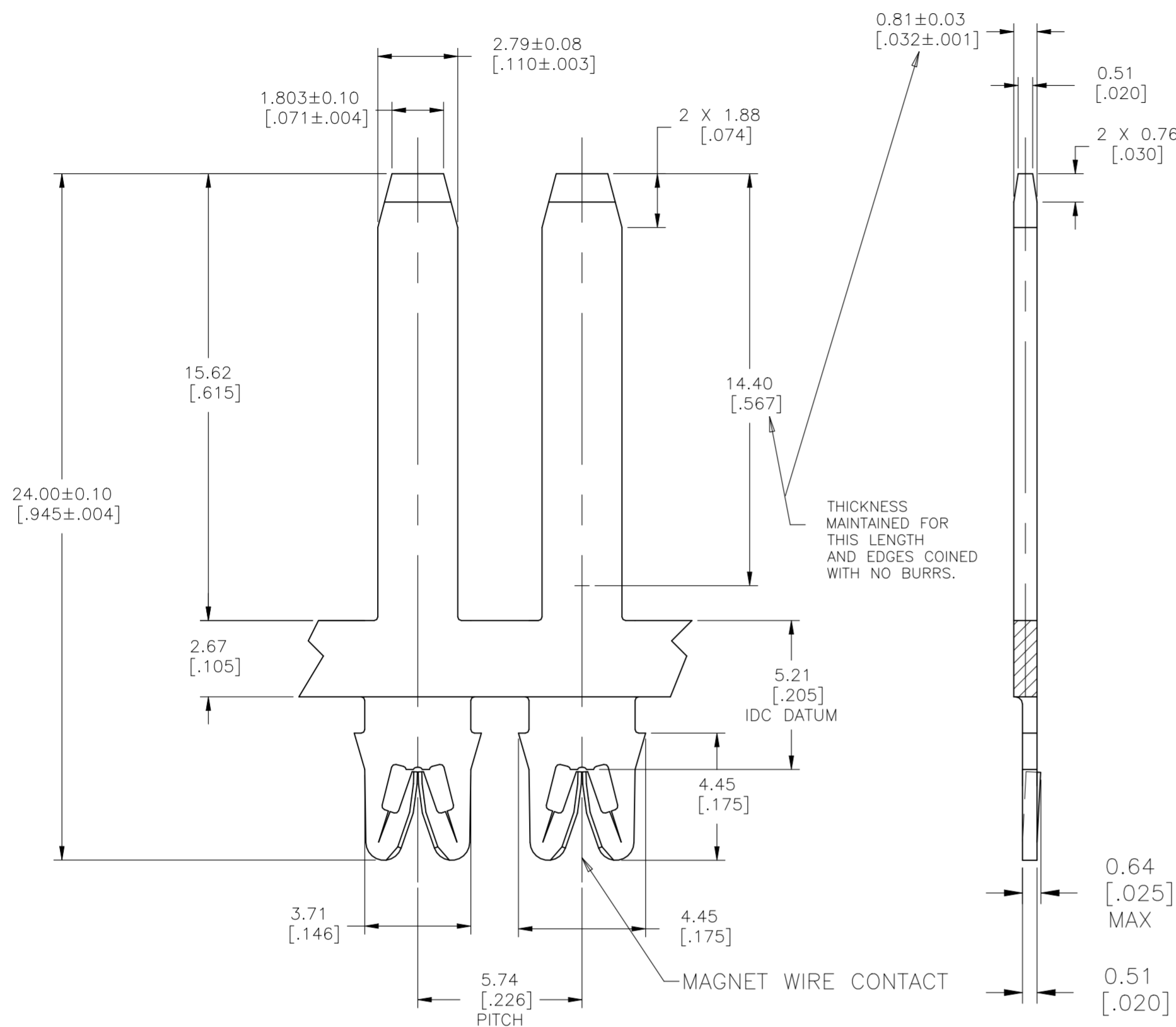
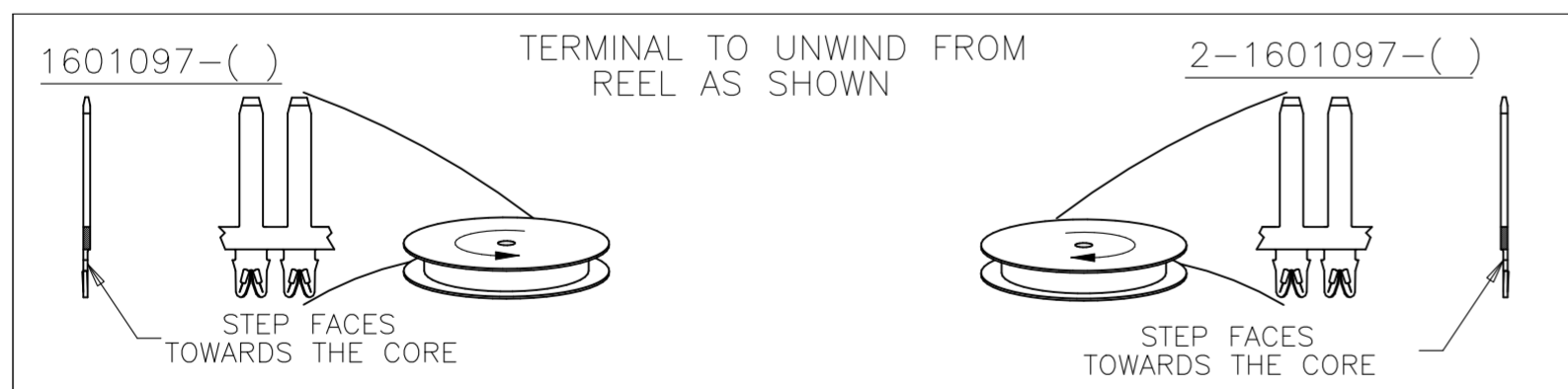
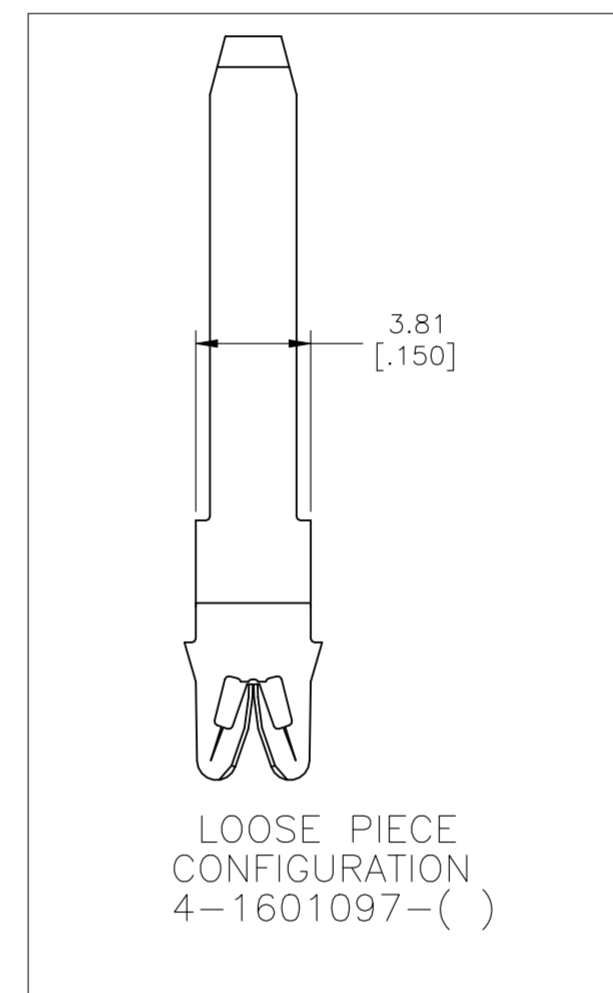


THIS DRAWING IS UNPUBLISHED. RELEASED FOR PUBLICATION
 © COPYRIGHT - By - ALL RIGHTS RESERVED.

LOC	DIST	REVISIONS					
AF	50	P	LTR	DESCRIPTION	DATE	DWN	APVD
		B8		REVISED PER ECR-23-188762	04JAN2024	PC	FDP



- 1 SPECIFICATIONS:
MAGNET WIRE #34 - #18 AWG 0.16mm[.006] -1.02mm[.040] DIA COPPER.
- 2 POCKET RECOMMENDATION: # 1601431
- 3 TERMINAL APPLICATION TO COMPLY WITH TYCO ELECTRONICS SPECIFICATION 114-13166 FIGURE 10
- 4 TWO TERMINALS SHOWN FOR ILLUSTRATION PURPOSES.
- 5 PREPRODUCTION -FASR REQUIRED



OBSOLETE	POST TIN PLATED OVER NICKEL	-	4-1601097-3																												
	PRE TIN PLATE	131-168-021	2-1601097-2																												
	POST TIN PLATED OVER NICKEL	-	1601097-3																												
	POST TIN PLATE	131-167-021	1601097-2																												
	FINISH	REFERENCE PART NUMBER	TE PART NUMBER																												
THIS DRAWING IS A CONTROLLED DOCUMENT.		<table border="1"> <tr> <td>DWN</td> <td>J.WELLER</td> <td>11JAN2002</td> </tr> <tr> <td>CHK</td> <td>M.FEHER</td> <td>11JAN2002</td> </tr> <tr> <td>APVD</td> <td>K.RANDOLPH</td> <td>11JAN2002</td> </tr> </table>		DWN	J.WELLER	11JAN2002	CHK	M.FEHER	11JAN2002	APVD	K.RANDOLPH	11JAN2002																			
DWN	J.WELLER	11JAN2002																													
CHK	M.FEHER	11JAN2002																													
APVD	K.RANDOLPH	11JAN2002																													
<table border="1"> <tr> <td>DIMENSIONS:</td> <td>TOLERANCES UNLESS OTHERWISE SPECIFIED:</td> </tr> <tr> <td>mm [INCHES]</td> <td></td> </tr> <tr> <td>0 PLC</td> <td>± -</td> </tr> <tr> <td>1 PLC</td> <td>± -</td> </tr> <tr> <td>2 PLC</td> <td>± 0.13[.005]</td> </tr> <tr> <td>3 PLC</td> <td>± -</td> </tr> <tr> <td>4 PLC</td> <td>± -</td> </tr> <tr> <td>ANGLES</td> <td>± 2°</td> </tr> </table>		DIMENSIONS:	TOLERANCES UNLESS OTHERWISE SPECIFIED:	mm [INCHES]		0 PLC	± -	1 PLC	± -	2 PLC	± 0.13[.005]	3 PLC	± -	4 PLC	± -	ANGLES	± 2°	<table border="1"> <tr> <td>NAME</td> <td colspan="3">STANDARD RANGE WIRE TO 2.79 X 0.81 TAB SIAMEZE TERMINAL</td> </tr> <tr> <td>PRODUCT SPEC</td> <td colspan="3">108-2085</td> </tr> <tr> <td>APPLICATION SPEC</td> <td colspan="3">3</td> </tr> </table>		NAME	STANDARD RANGE WIRE TO 2.79 X 0.81 TAB SIAMEZE TERMINAL			PRODUCT SPEC	108-2085			APPLICATION SPEC	3		
DIMENSIONS:	TOLERANCES UNLESS OTHERWISE SPECIFIED:																														
mm [INCHES]																															
0 PLC	± -																														
1 PLC	± -																														
2 PLC	± 0.13[.005]																														
3 PLC	± -																														
4 PLC	± -																														
ANGLES	± 2°																														
NAME	STANDARD RANGE WIRE TO 2.79 X 0.81 TAB SIAMEZE TERMINAL																														
PRODUCT SPEC	108-2085																														
APPLICATION SPEC	3																														
MATERIAL	FINISH	WEIGHT	RESTRICTED TO																												
BRASS, 3/4 HARD	SEE TABLE	-	-																												
CUSTOMER DRAWING		SCALE	SHEET																												
		6:1	1 OF 1																												
		DRAWING NO	REV																												
		A2 00779 C=1601097	B8																												