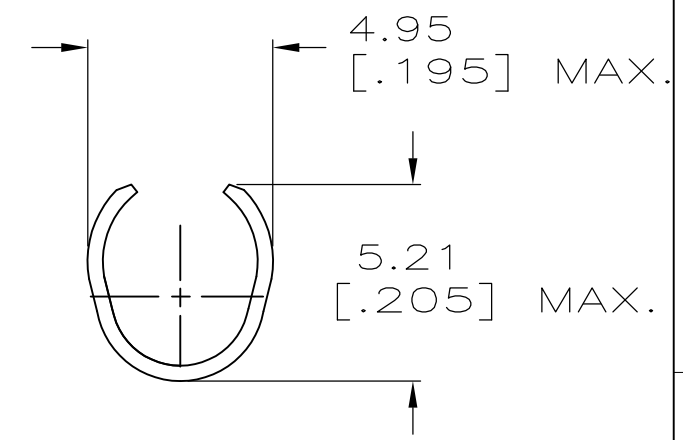
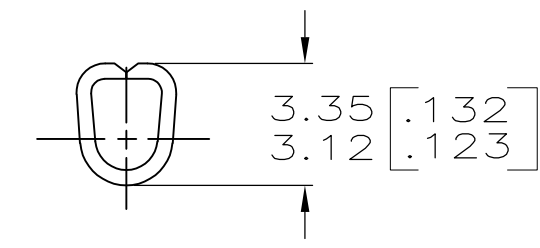
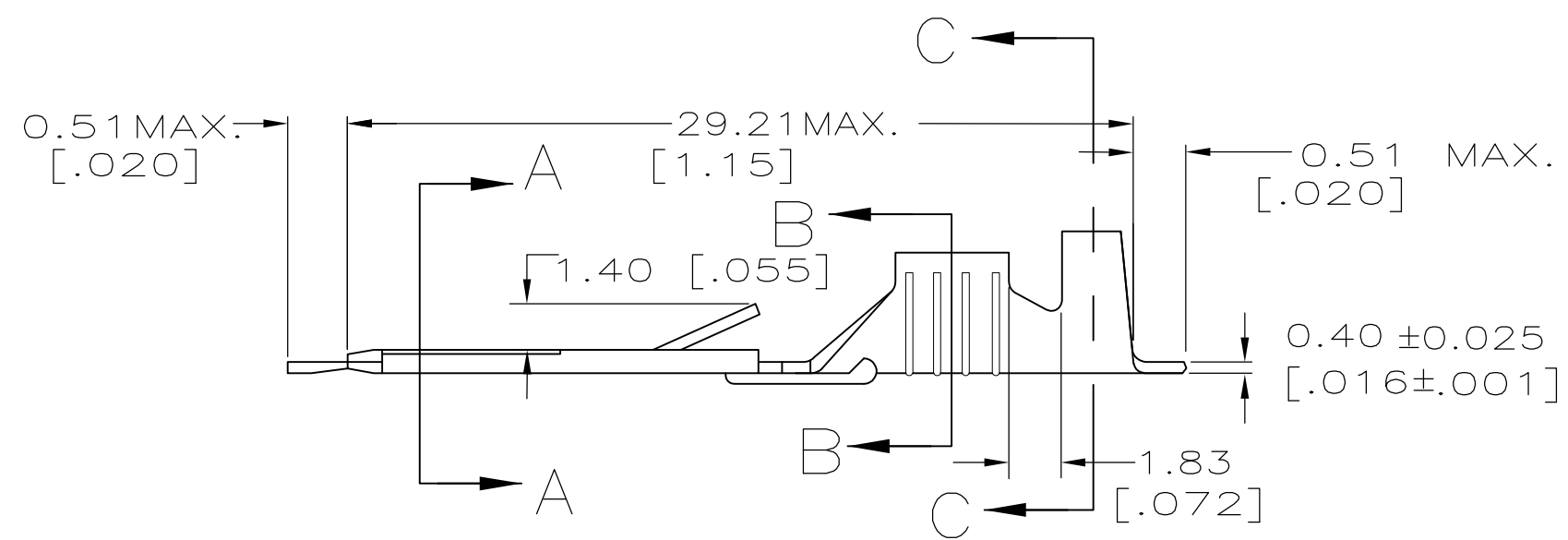
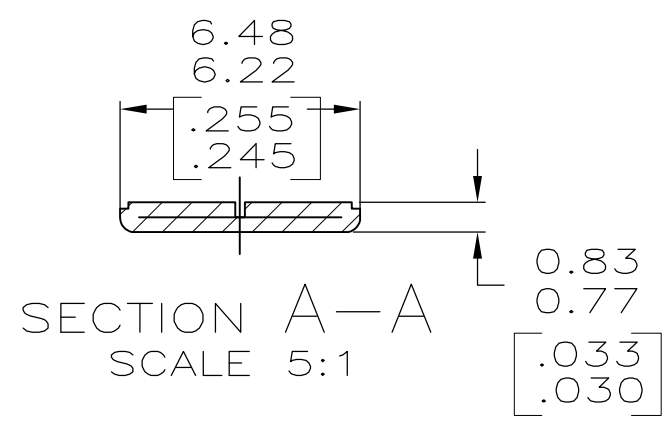


THIS DRAWING IS UNPUBLISHED. RELEASED FOR PUBLICATION - ,1966.
 © COPYRIGHT 1966 BY TYCO ELECTRONICS CORPORATION. ALL RIGHTS RESERVED.

LOC	DIST	REVISIONS				
P	LTR	DESCRIPTION	DATE	DWN	APVD	
IR	-	B	FIRST ISSUE	12MAR2011	PKS	MP

- 1 SUPPLIED IN LOOSE PIECE
- 2 TIN 0.002032 [.000080] MIN.
- 3 SILVER 0.003048 [.000120] MIN.



160457-3	3.05-3.68	#18-#16 AWG	SILVER $\triangle 3$	PH.BRONZE	160458-3
160457-2	[.120-.145] DIA		TIN $\triangle 2$		160458-2
160457-1			-		160458-1
STRIP NO.	INSULATION RANGE	WIRE SIZE	FINISH	MATERIAL	PART NO.

THIS DRAWING IS A CONTROLLED DOCUMENT.		DWN SENTHIL 11MAR2011	Tyco Electronics Corporation India Bangalore, India		
DIMENSIONS: INCHES		CHK SENTHIL 11MAR2011			
TOLERANCES UNLESS OTHERWISE SPECIFIED:		APVD M.PERCHERKE 12MAR2011	NAME: TAB, FASTIN-FASTON, .250 SERIES		
0 PLC ± - 1 PLC ± - 2 PLC ± 0.38 [.015] 3 PLC ± - 4 PLC ± - ANGLES ± -		PRODUCT SPEC -	RESTRICTED TO -		
MATERIAL: SEE TABLE		APPLICATION SPEC -	SIZE: A3	CAGE CODE: 00779	DRAWING NO: C-160458
FINISH: SEE TABLE		WEIGHT: -	CUSTOMER DRAWING		
		SCALE: 4:1	SHEET: 1 OF 1	REV: B	