

4

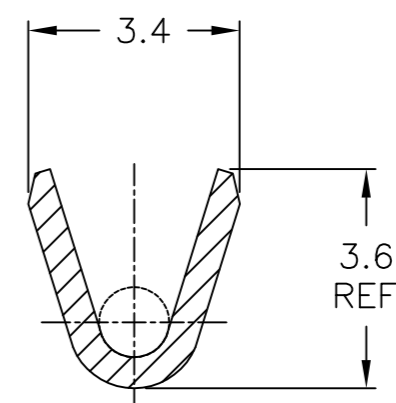
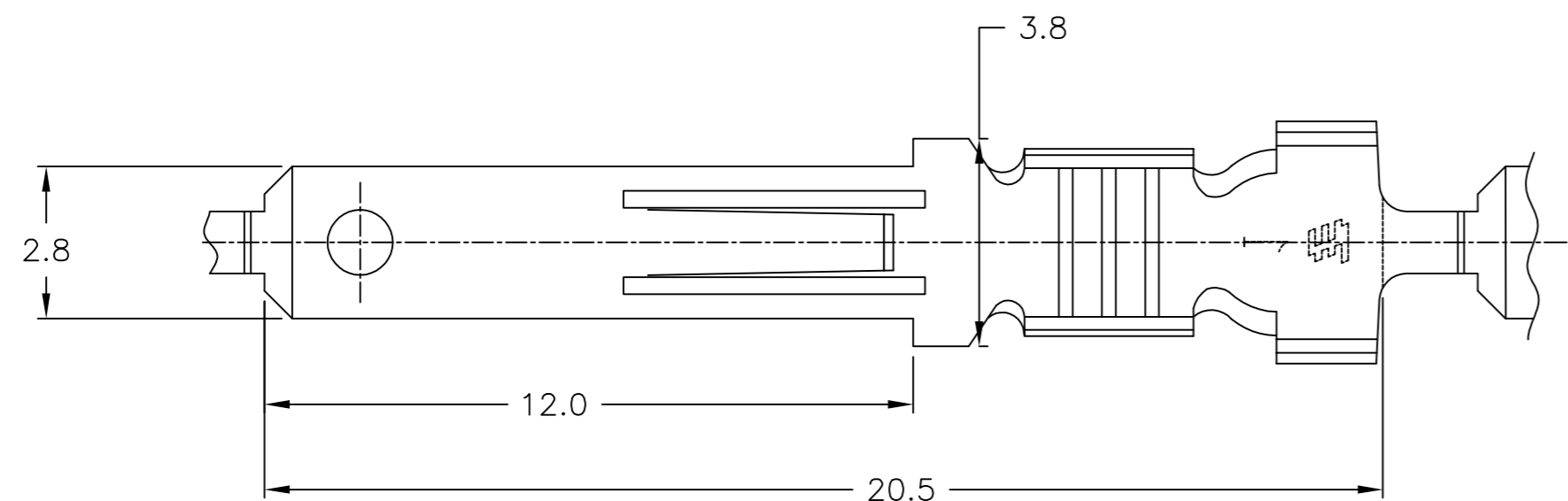
3

2

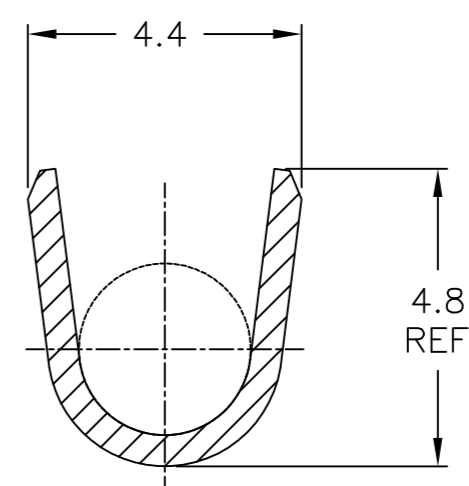
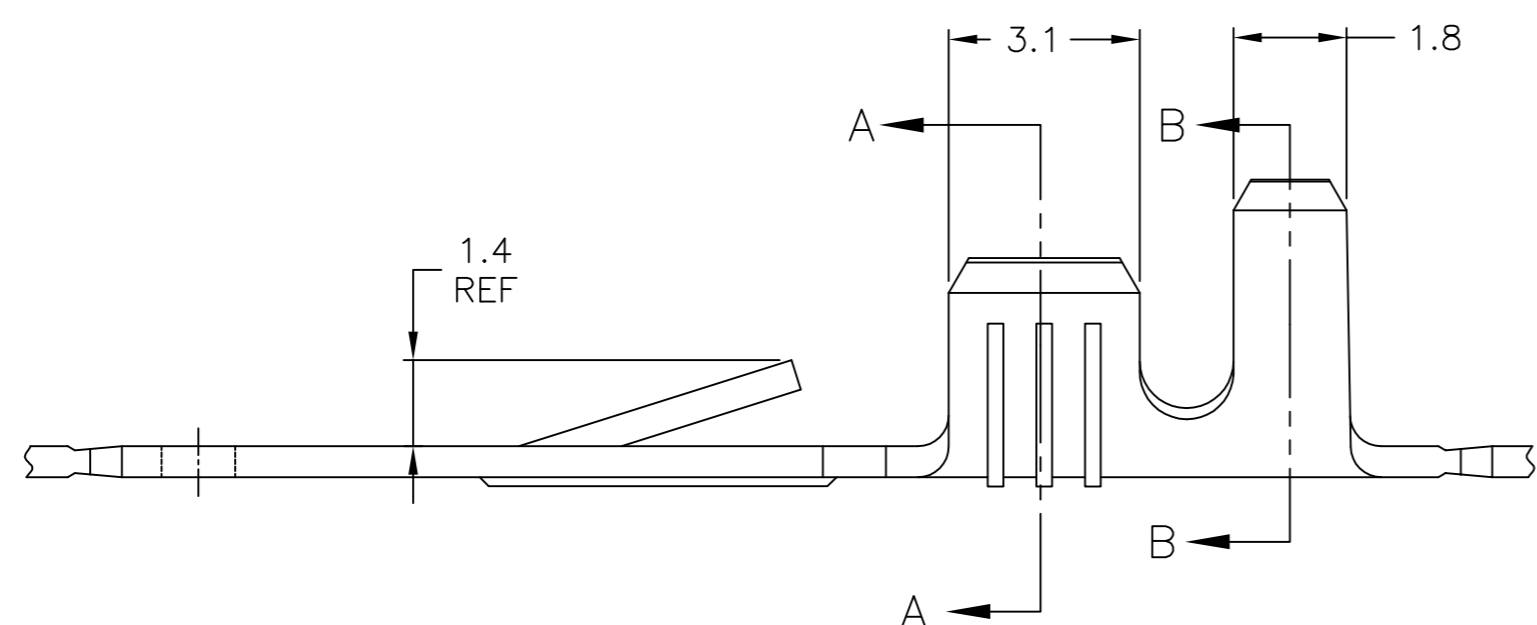
1

THIS DRAWING IS UNPUBLISHED. RELEASED FOR PUBLICATION
 © COPYRIGHT - By - ALL RIGHTS RESERVED.

REVISIONS				
変更				
P	LTR	DESCRIPTION	DATE	DWN / APVD
	A1	REVISED PER ECR-17-012979	08SEP2017	BDA / TD



SECTION A-A



SECTION B-B

OBSOLETE	170041-3 (170014-3 L.P.)	TIN PLATING	BRASS	170041-3
OBSOLETE	170041-2 (170014-2 L.P.)	NONE	BRASS	170041-2
	170041-1 (170014-1 L.P.)	NONE	BRASS	170041-1
	COMBINATION NO.	FINISH	MATERIAL	PART NO.
	WIRE RANGE	AWG #20-16 mm ²		INSULATION DIA ?.080-.120] 2.03~3.05

THIS DRAWING IS A CONTROLLED DOCUMENT.		DWN	RAVI S		21NOV2016
DIMENSIONS: 単位: 概 mm		CHK	LI DAISY		21NOV2016
TOLERANCES UNLESS OTHERWISE SPECIFIED: 一般公差		APVD	DING TIM		21NOV2016
0 PLC ±		PRODUCT SPEC		NAME	.110 SERIES FASTIN - FASTON TAB LOOSE PIECE
1 PLC ± 0.4		108-5005		取付適用規格	
2 PLC ± 0.4		APPLICATION SPEC		SIZE	A2
3 PLC ± 0.4		WEIGHT		CAGE CODE	00779
4 PLC ±		CUSTOMER DRAWING		DRAWING NO	G=170041
ANGLES ±		SCALE		4:1	SHEET 1 of 1
FINISH 仕上		RESTRICTED TO			REV A1

D

D

C

C

B

B

A

A

170041