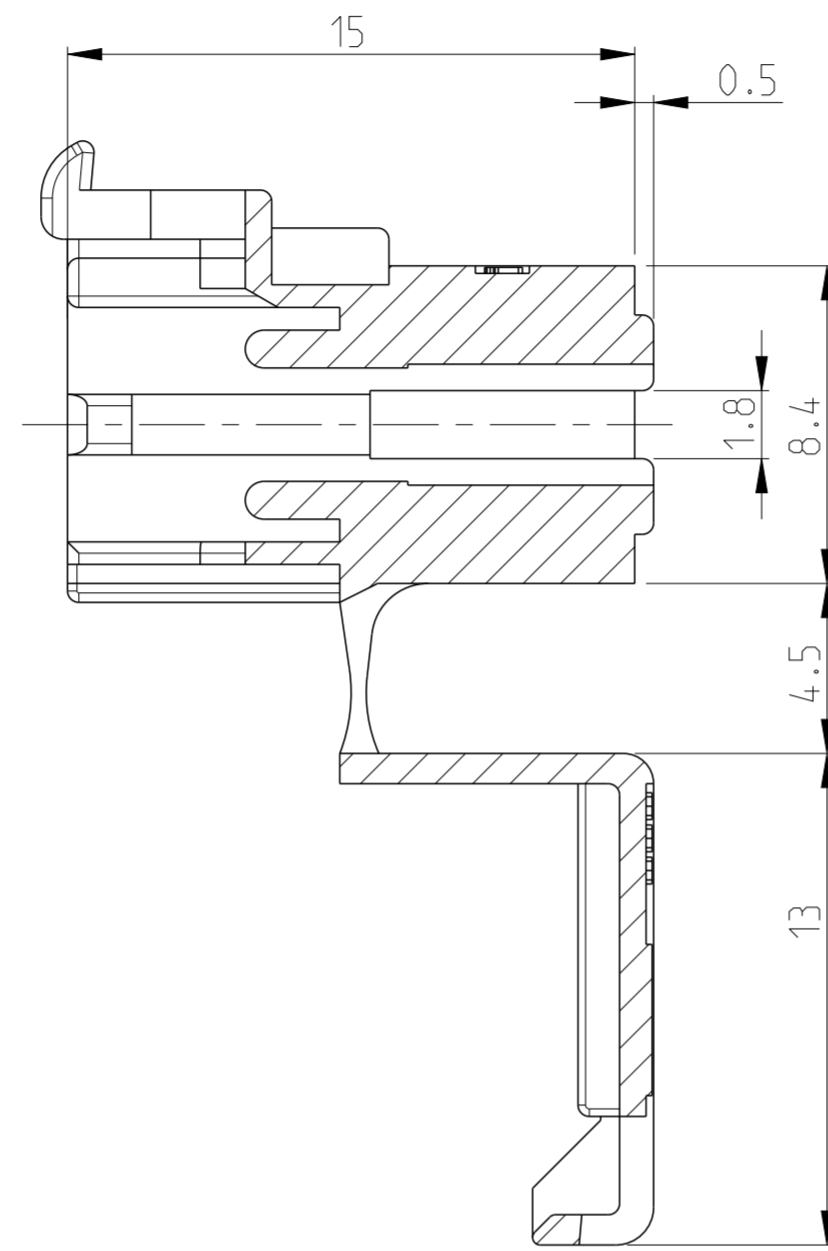
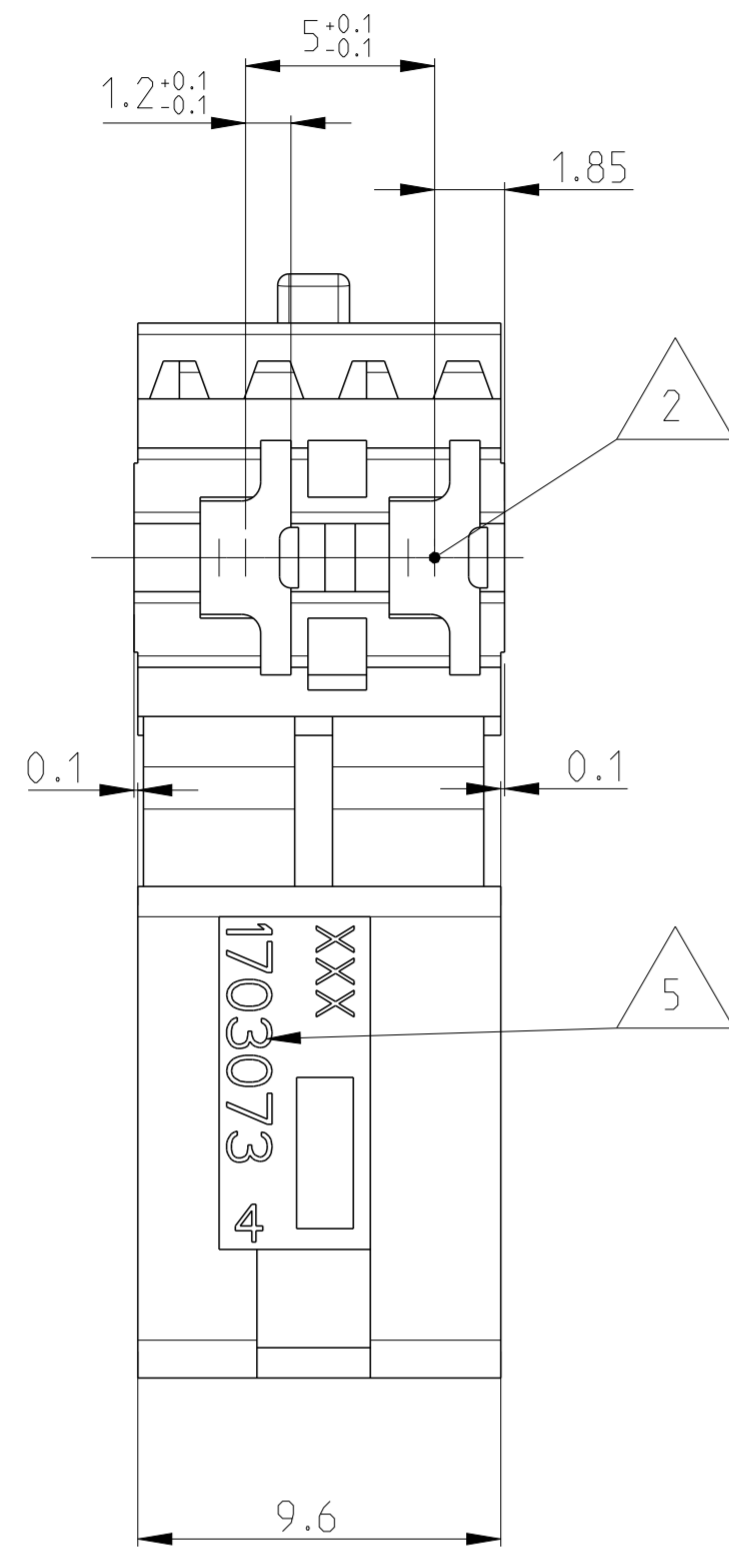
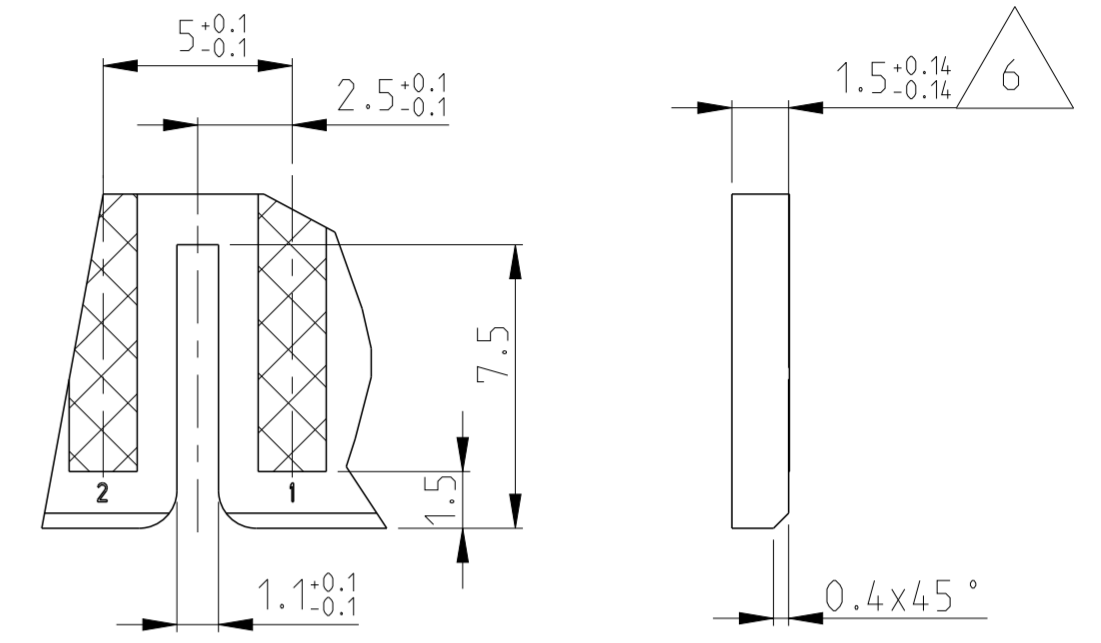


THIS DRAWING IS UNPUBLISHED. RELEASED FOR PUBLICATION 2003
 © COPYRIGHT 2003 ALL RIGHTS RESERVED.

LOC	DIST	REVISIONS					
		P	LTR	DESCRIPTION	DATE	DWN	APVD
A1	-	B		ECR-13-010845	09JUL2013	MKD	RRP

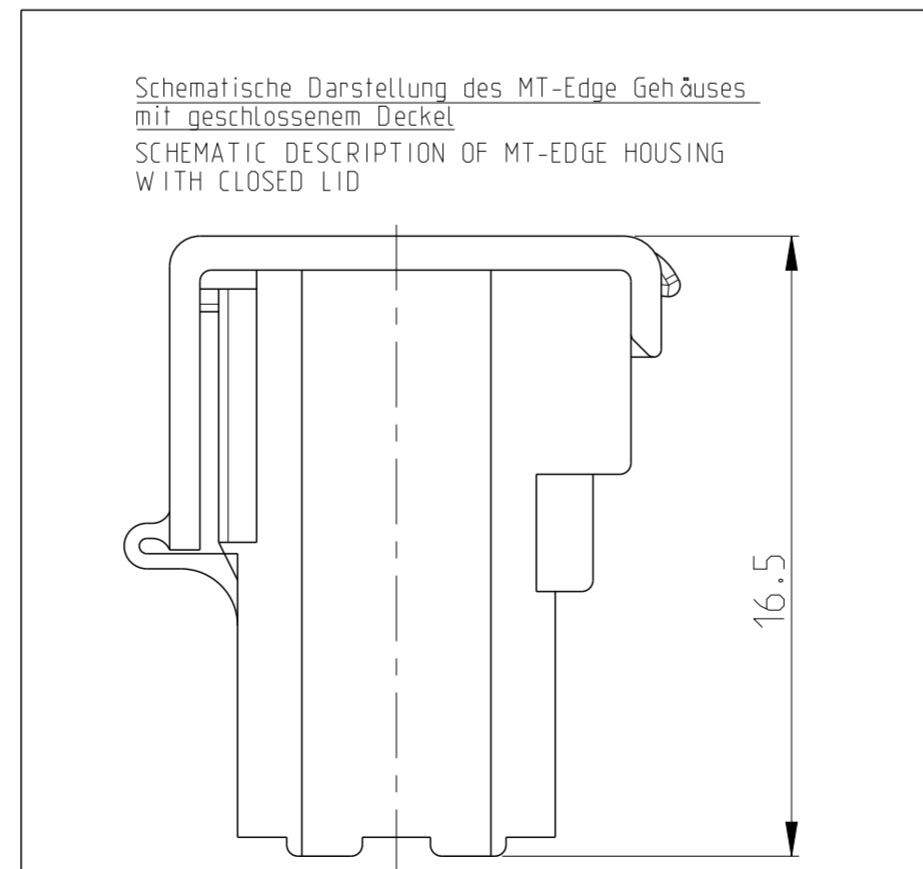
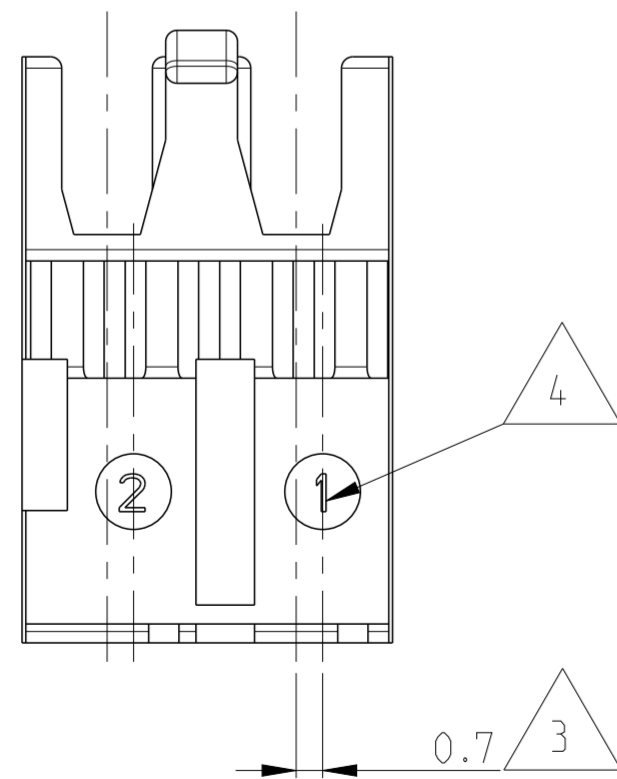


Empfohlenes Leiterplattenlayout
 RECOMMENDED BOARD DESIGN



Bemerkungen
 NOTES

- 1 Massgebend ist der deutsche Text
 ONLY THE GERMAN-LANGUAGE VERSION SHALL BE BINDING
- 2 Lage des Kontaktpunktes auf der Leiterplatte; Abweichung ±0.4
 POSITION OF CONTACT POINT ON BOARD; DEVIATION ±0.4
- 3 Kontaktierung zur Drahtmitte um 0.7mm versetzt
 CONTACTING 0.7mm DISPLACED TO WIRE CENTRELINE
- 4 Kontaktkammer-Nr.
 CONTACT CAVITY #
- 5 Firmenlogo und Leergehäuse-Nr.
 ARTWORK LOGO AND HOUSING # (NON LOADED)
- 6 Ausführung nach DIN 60249-2-4
 BOARD DESIGN ACCORDING TO DIN 60249-2-4
- 7 Crimp Kontakt-Nr.:
 Material: CuSn4 926770-1, 926917-1
 CRIMP CONTACT #: MATERIAL: CuSn4



1-1703073-1	MT-EDGE HOUSING	NATURE
PART-NO.:	DESCRIPTION	COLOUR

THIS DRAWING IS A CONTROLLED DOCUMENT.		DWN MAHNKE, B. 24SEP2004	TE Connectivity NAME 2 POS. MT-EDGE HOUSING RAST 5mm		
DIMENSIONS: mm		CHK STREDAK, F. 20DEC2004			
TOLERANCES UNLESS OTHERWISE SPECIFIED:		APVD BLEICHER, M. 21DEC2004			
0 PLC ± 1 PLC ±0.15mm 2 PLC ± 3 PLC ± 4 PLC ± ANGLES ±1° FINISH		PRODUCT SPEC 108-18003			
MATERIAL PA6.6 / UL94V-2		APPLICATION SPEC 114-18002	SIZE A2	CAGE CODE C-1703073	RESTRICTED TO -
		WEIGHT 1.016 g	DRAWING NO. C-1703073		SCALE 5:1
		CUSTOMER DRAWING	SHEET 1 OF 1		REV B