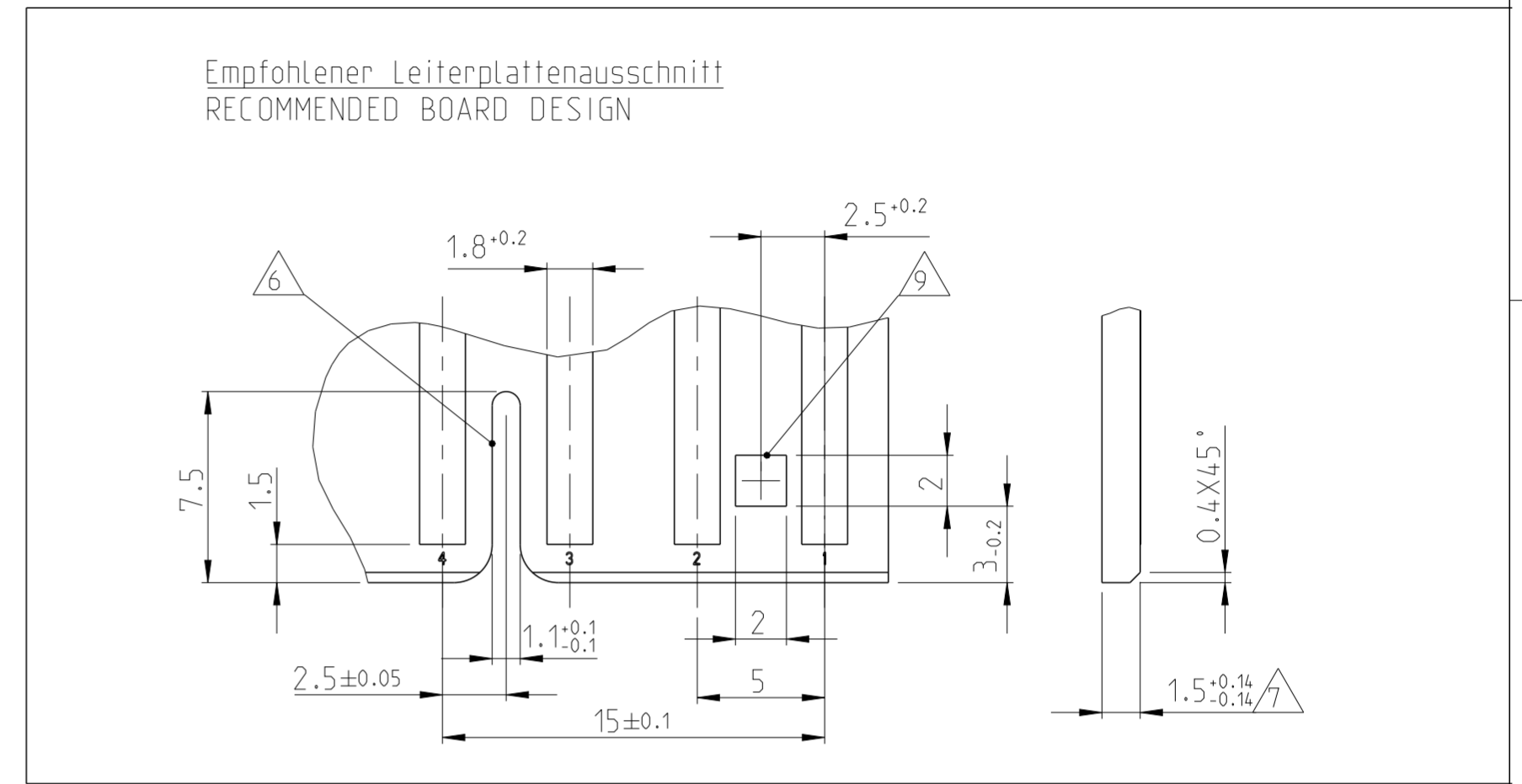
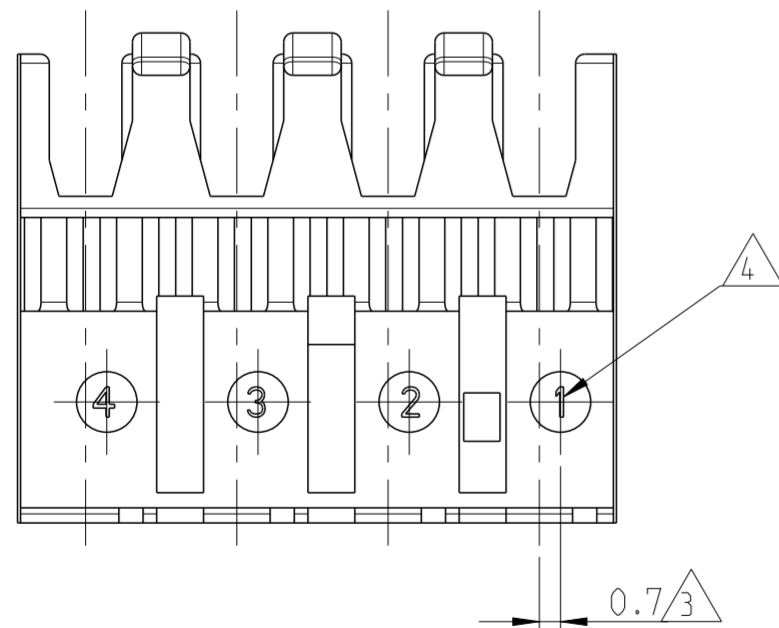
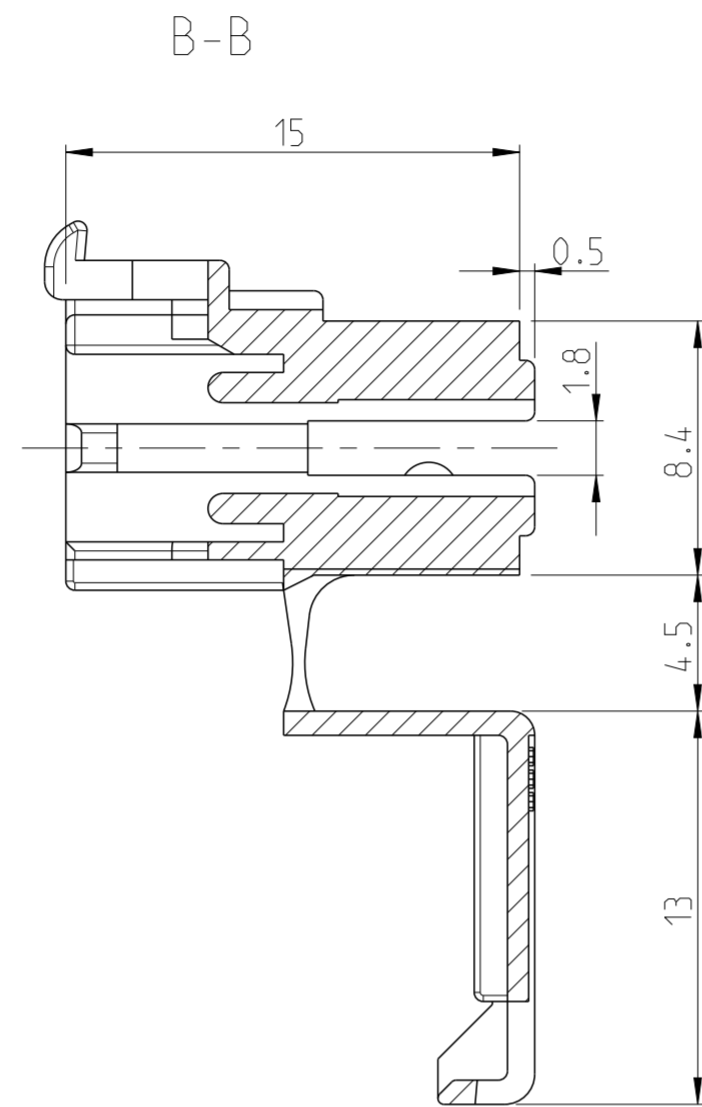
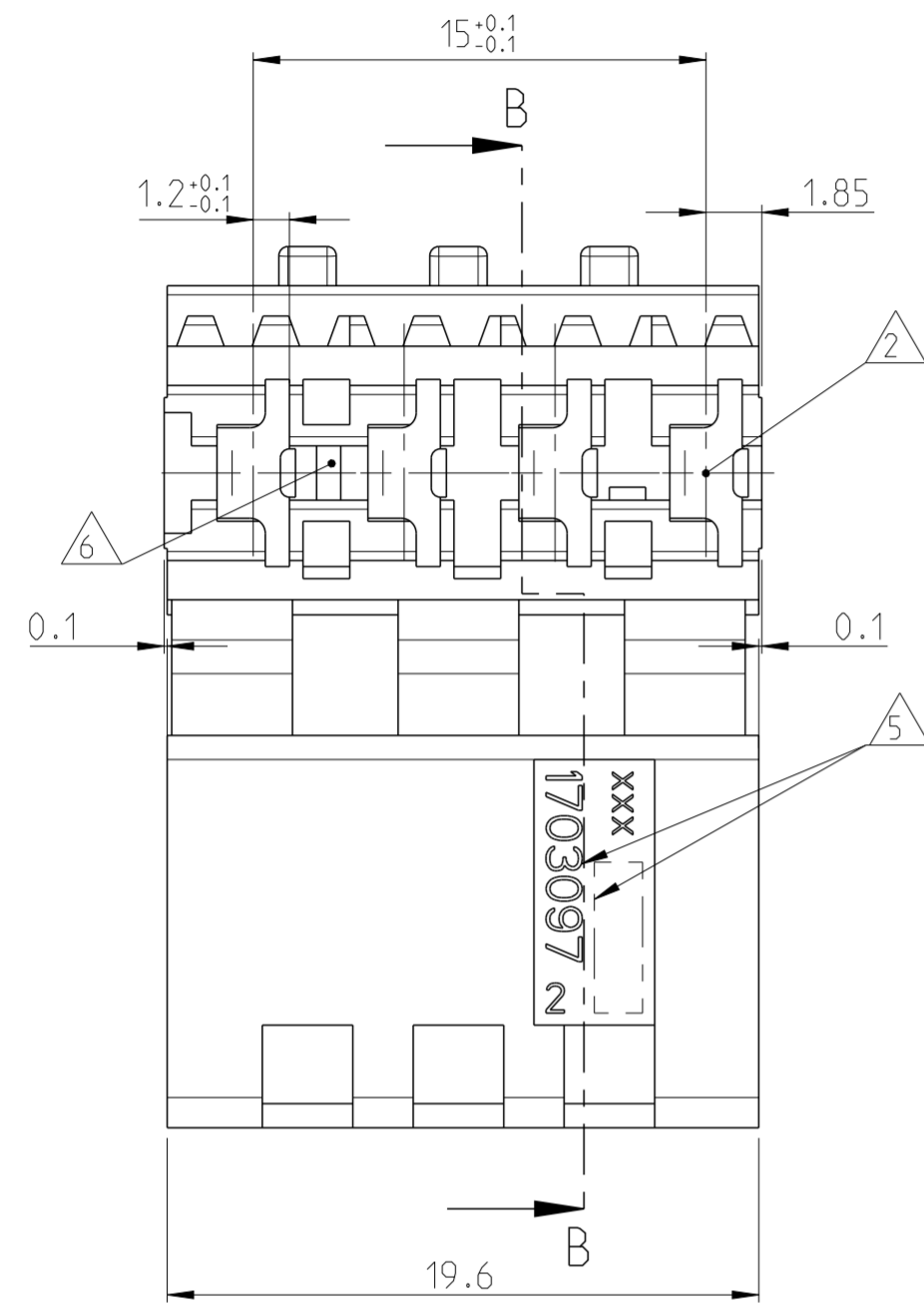


THIS DRAWING IS UNPUBLISHED. RELEASED FOR PUBLICATION  
 © COPYRIGHT copyright\_date BY - ALL RIGHTS RESERVED.

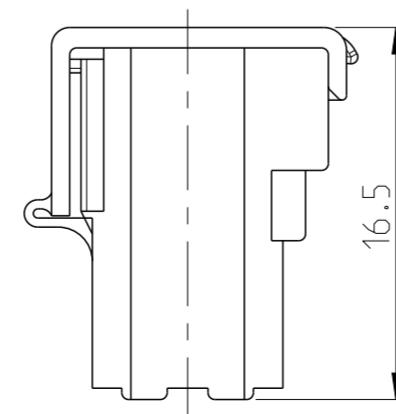
| REVISIONS |     |                 |           |         |
|-----------|-----|-----------------|-----------|---------|
| P         | LTR | DESCRIPTION     | DATE      | APVD    |
| C         |     | INITIAL RELEASE | 02AUG2013 | MKD RRP |
|           |     |                 |           |         |
|           |     |                 |           |         |



Bemerkungen  
NOTES

- 1 Massgebend ist der deutsche Text  
ONLY THE GERMAN-LANGUAGE VERSION SHALL BE BINDING
- 2 Lage des Kontaktpunktes auf der Leiterplatte; Abweichung ±0.4  
POSITION OF CONTACT POINT ON BOARD; DEVIATION ±0.4
- 3 Kontaktierung zur Drahtmitte um 0.7mm versetzt  
CONTACTING 0.7mm DISPLACED TO WIRE CENTRELINE
- 4 Kontaktkammer-Nr.  
CONTACT CAVITY #
- 5 Firmenlogo und Leergehäuse-Nr.  
ARTWORK LOGO AND HOUSING # (NON LOADED)
- 6 Kodersteg zwischen Kammer Nr.384  
KEYING RIB BETWEEN CAVITY No. 384
- 7 Ausführung nach DIN 60249-2-4  
BOARD DESIGN ACCORDING TO DIN 60249-2-4
- 8 Crimp Kontakt-Nr.:  
Material: CuSn4 926770-1, 926917-1  
CRIMP CONTACT #: MATERIAL: CuSn4
- 9 SQUARE HOLE 2X2 mm OPTIONAL LOCKING HOLE Ø2.5 mm
- 10 MATERIAL ACCORDING TO IEC 60335-1 (INCLUDING GWT 750 ° C NO FLAME)

Schematische Darstellung des MT-Edge Gehäuses mit geschlossenem Deckel  
 SCHEMATIC DESCRIPTION OF MT-EDGE HOUSING WITH CLOSED LID



|             |                 |              |        |
|-------------|-----------------|--------------|--------|
| 1-1703097-5 | MT-EDGE HOUSING | PA6/UL94V2   | NATURE |
| 1-1703097-1 | MT-EDGE HOUSING | PA66/UL94 V2 | NATURE |
| PART-NO.:   | DESCRIPTION     | MATERIAL     | COLOUR |

|  |      |                            |   |                 |
|--|------|----------------------------|---|-----------------|
| THIS DRAWING IS A CONTROLLED DOCUMENT. |      | DWN DHANESH 02AUG2013      | TE Connectivity                                       |                 |
| DIMENSIONS: mm                         |      | CHK DHANESH 02AUG2013      |   |                 |
| TOLERANCES UNLESS OTHERWISE SPECIFIED: |      | APVD RAJENDRA 02AUG2013    | NAME 4 - WAYS MT - EDGE - HOUSING LOOSE PIECE VERSION |                 |
| 0 PLC ±                                | ±0.2 | PRODUCT SPEC 108-18003     | SIZE A2   | CAGE CODE 00779 |
| 1 PLC ±                                | ±    | APPLICATION SPEC 114-18002 | DRAWING NO C-1703097                                  | RESTRICTED TO - |
| 2 PLC ±                                | ±    | WEIGHT -                   | SCALE 4:1   | SHEET 1 OF 1    |
| 3 PLC ±                                | ±    | CUSTOMER DRAWING           | REV C   |                 |
| 4 PLC ±                                | ±    |                            |   |                 |
| ANGLES FINISH                          | ±    |                            |   |                 |
| MATERIAL SEE TABLE                     |      |                            |   |                 |