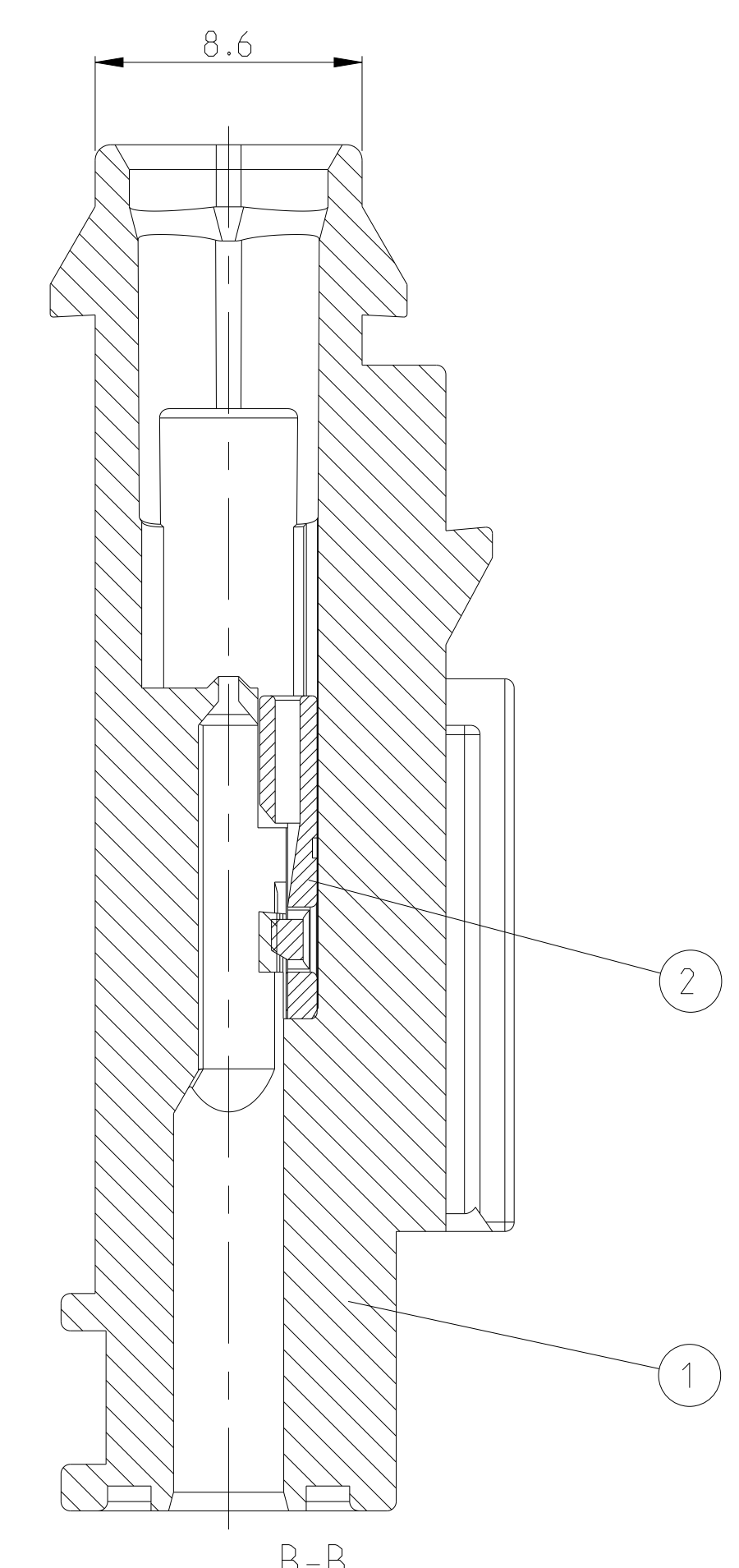
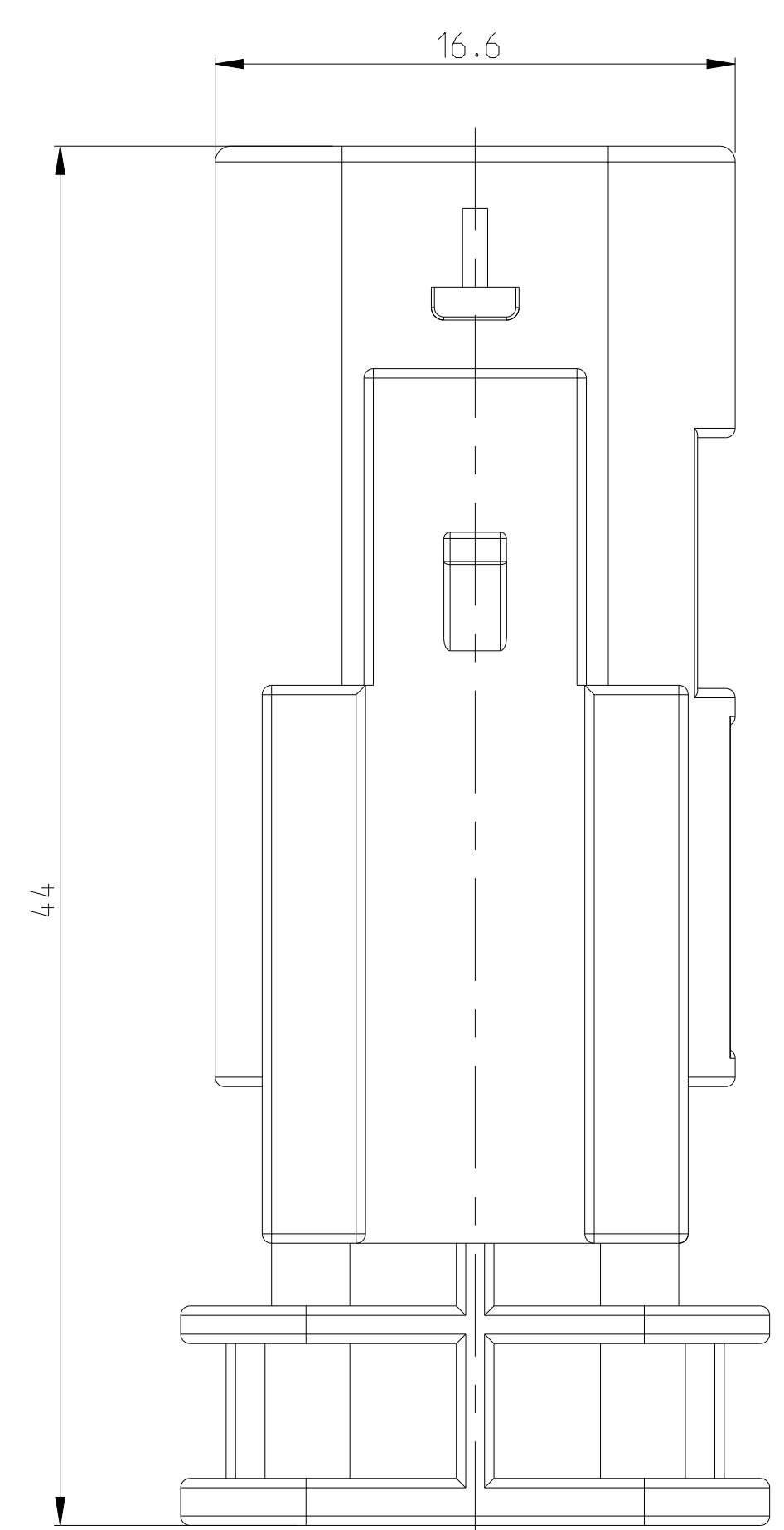
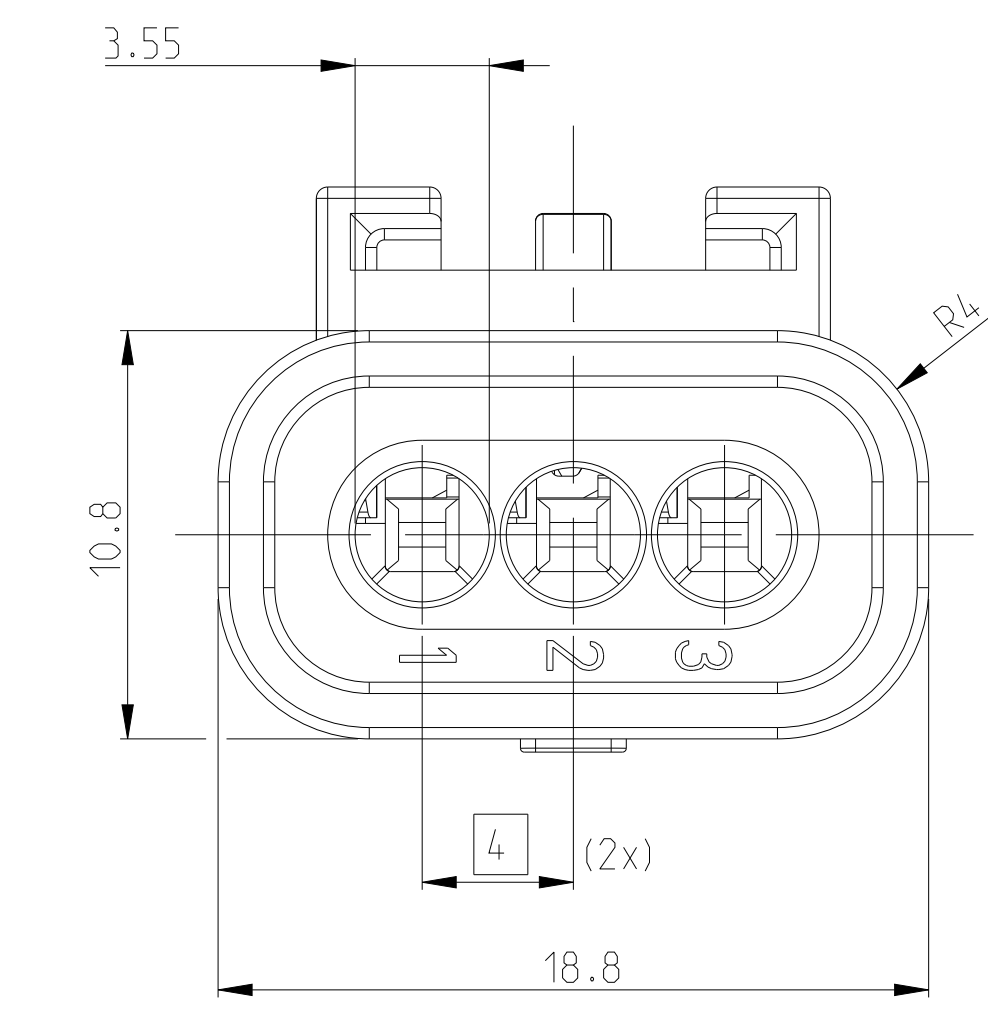
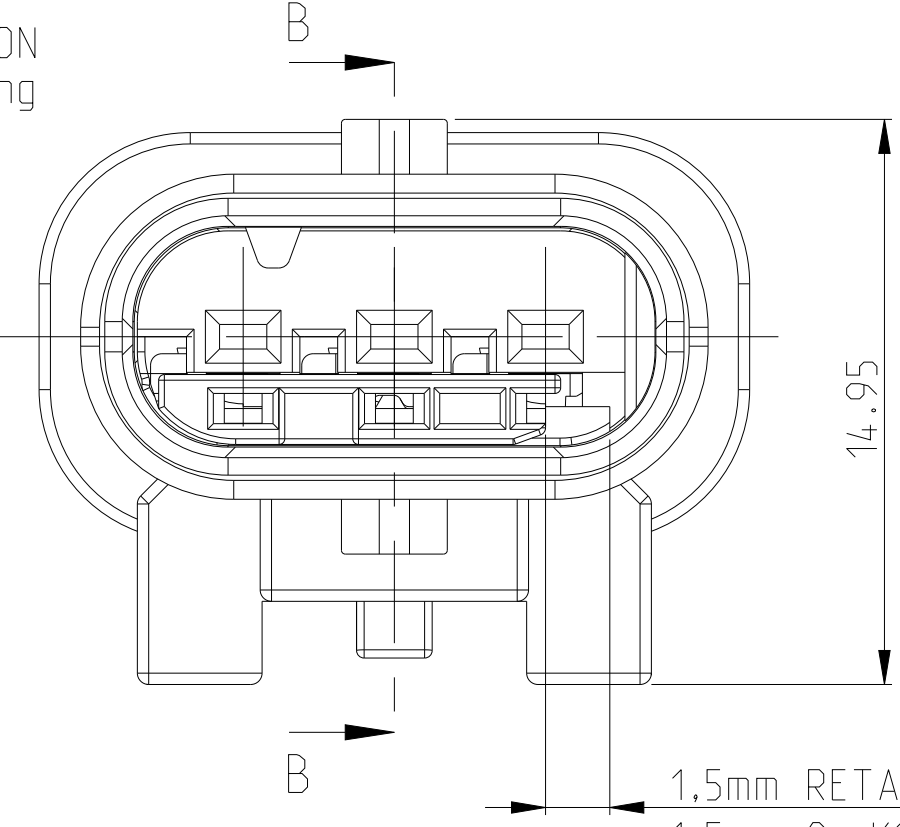


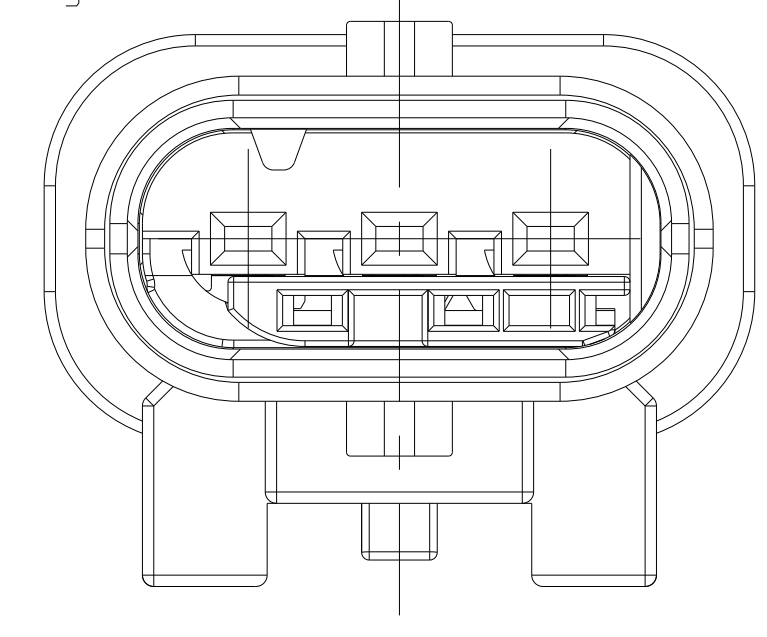
SHOWN 1-1703494-1



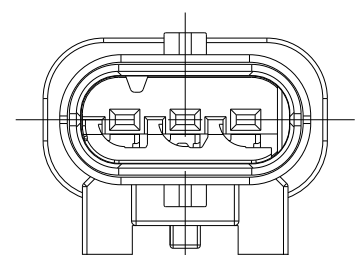
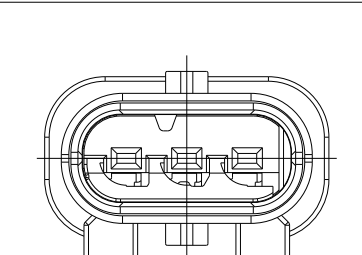
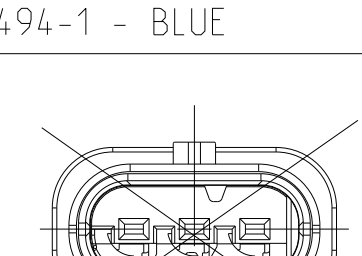
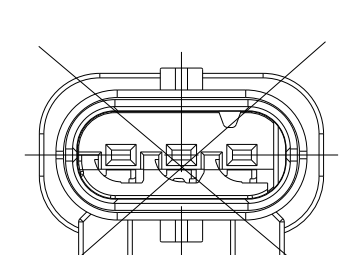
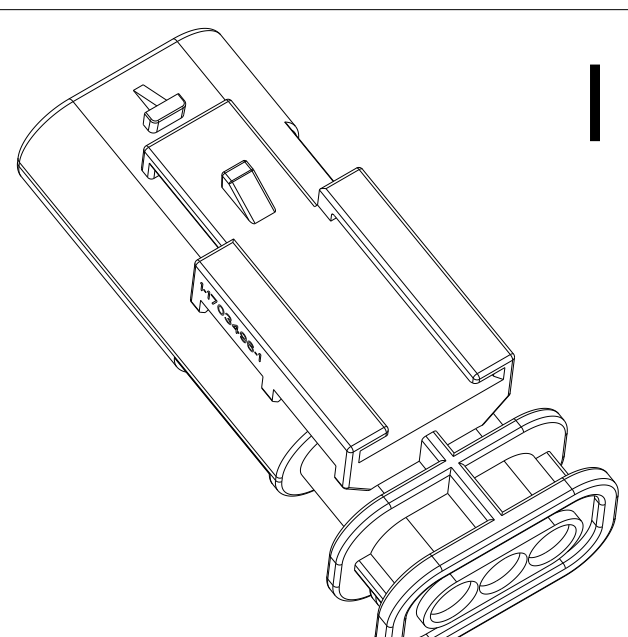
RETAINER IN PRE LOCKED POSITION
Kontaktsicherung in Vorraststellung



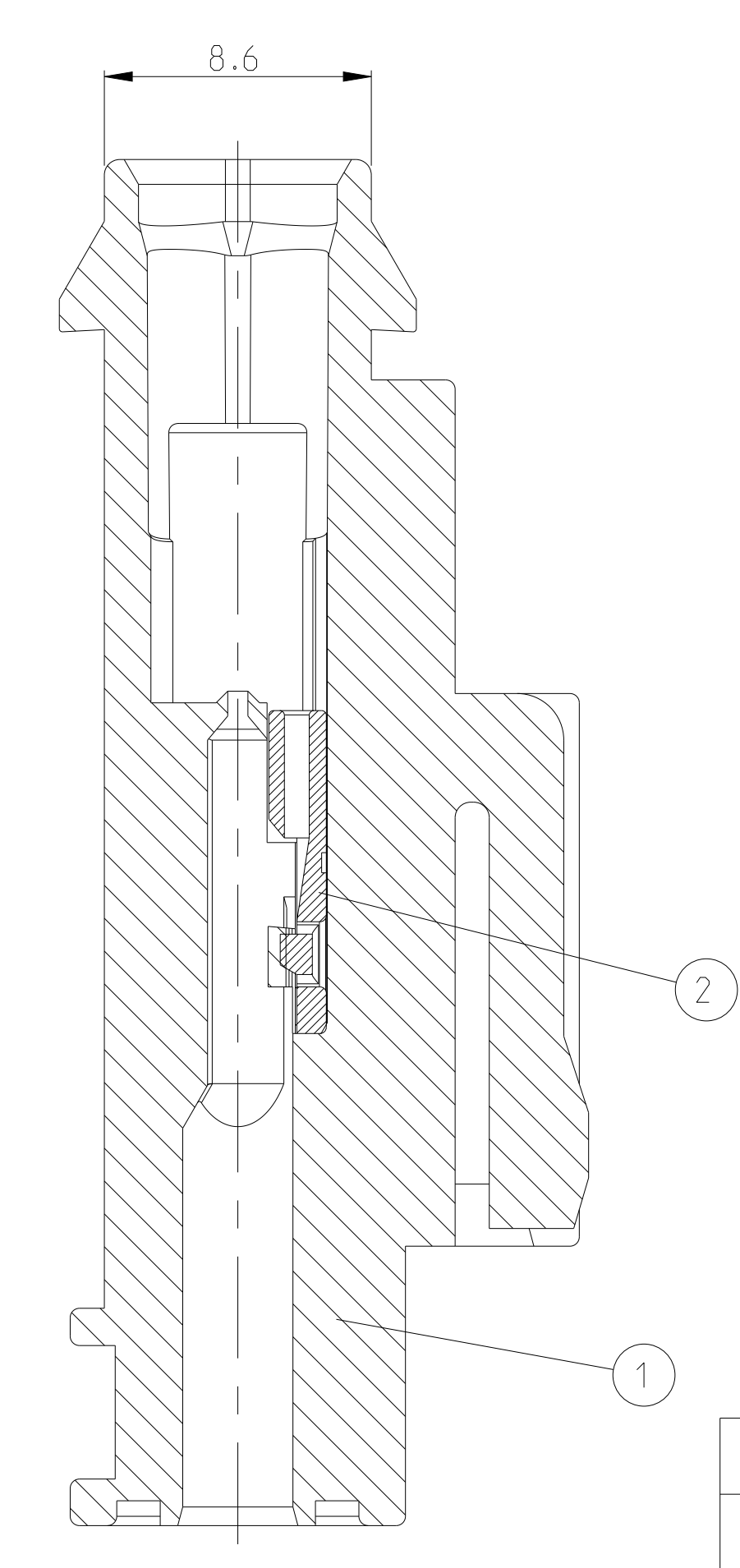
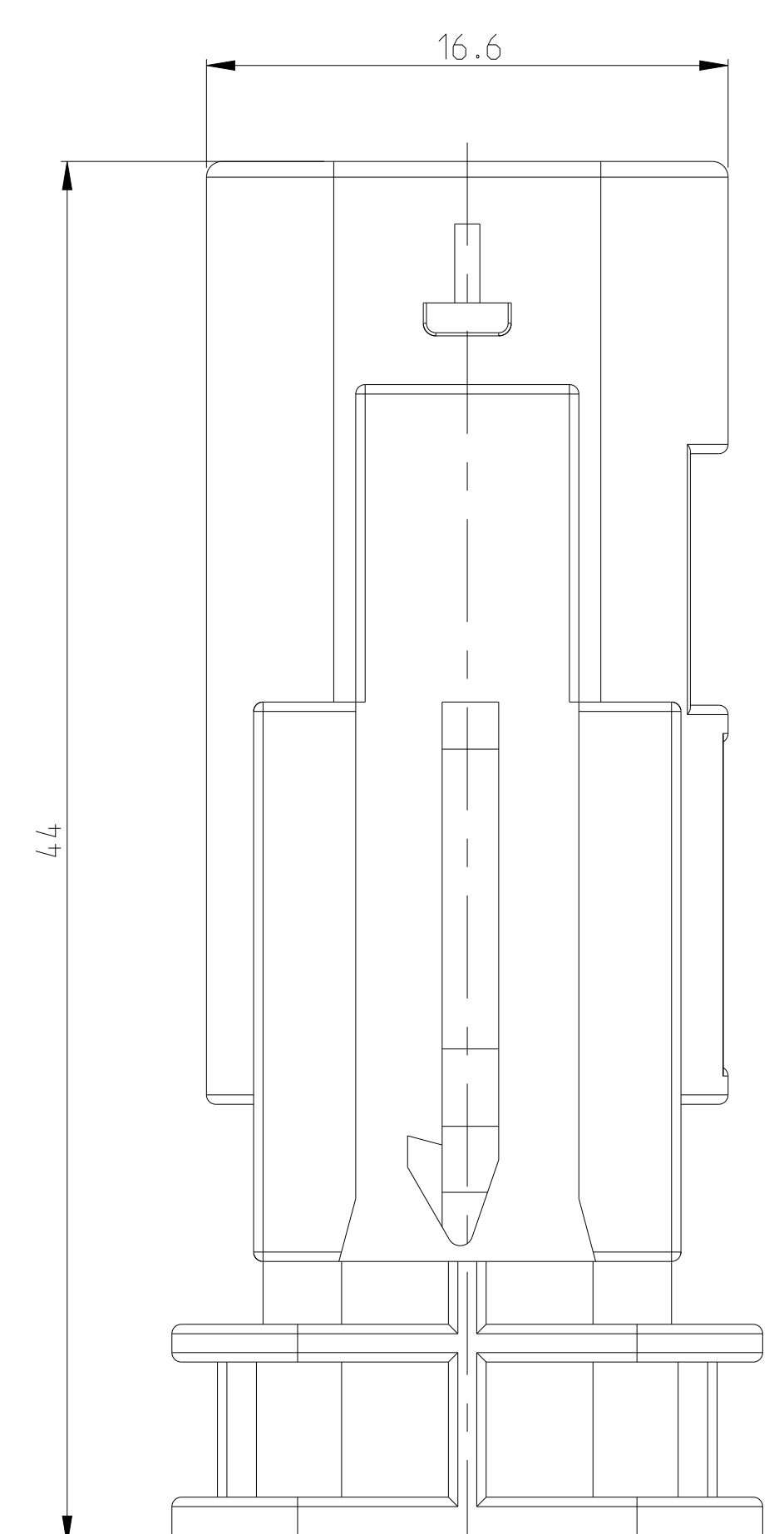
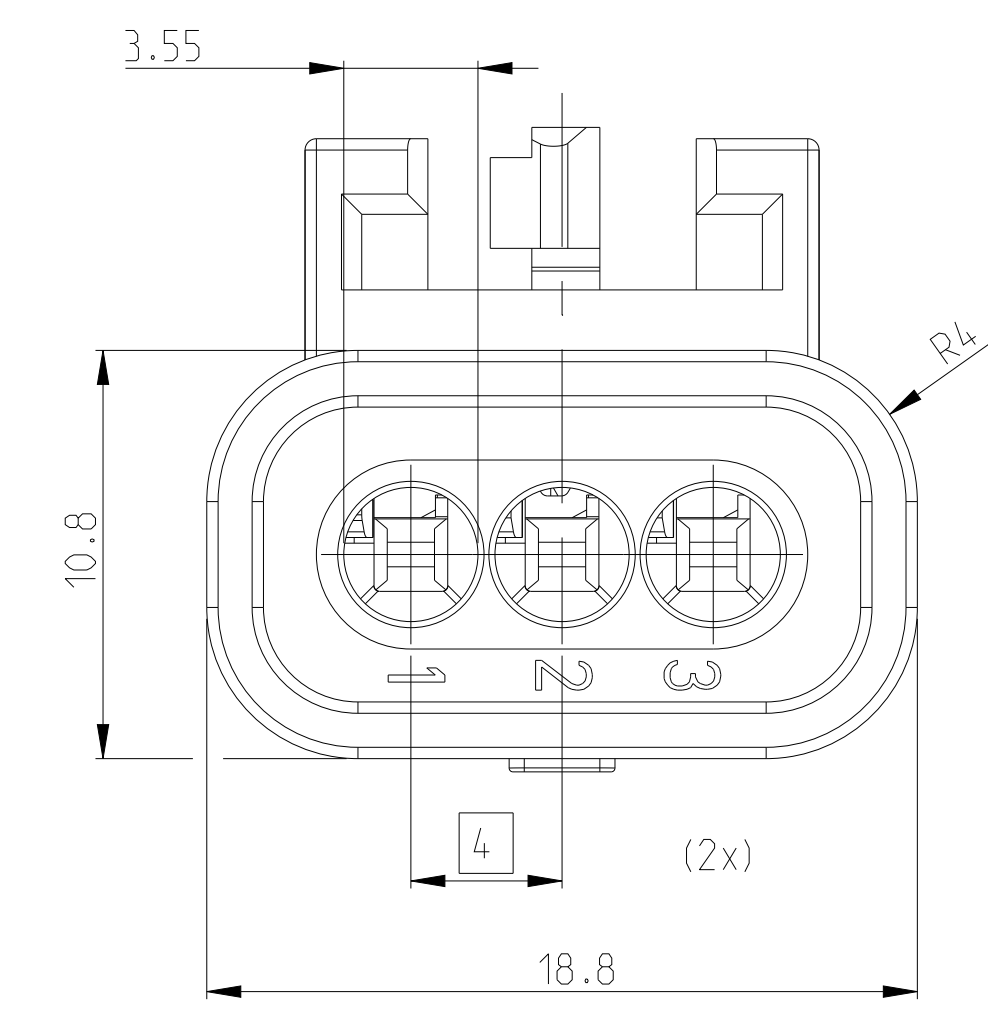
RETAINER IN FINAL LOCKED POSITION
2.Kontaktsicherung in Endraststellung



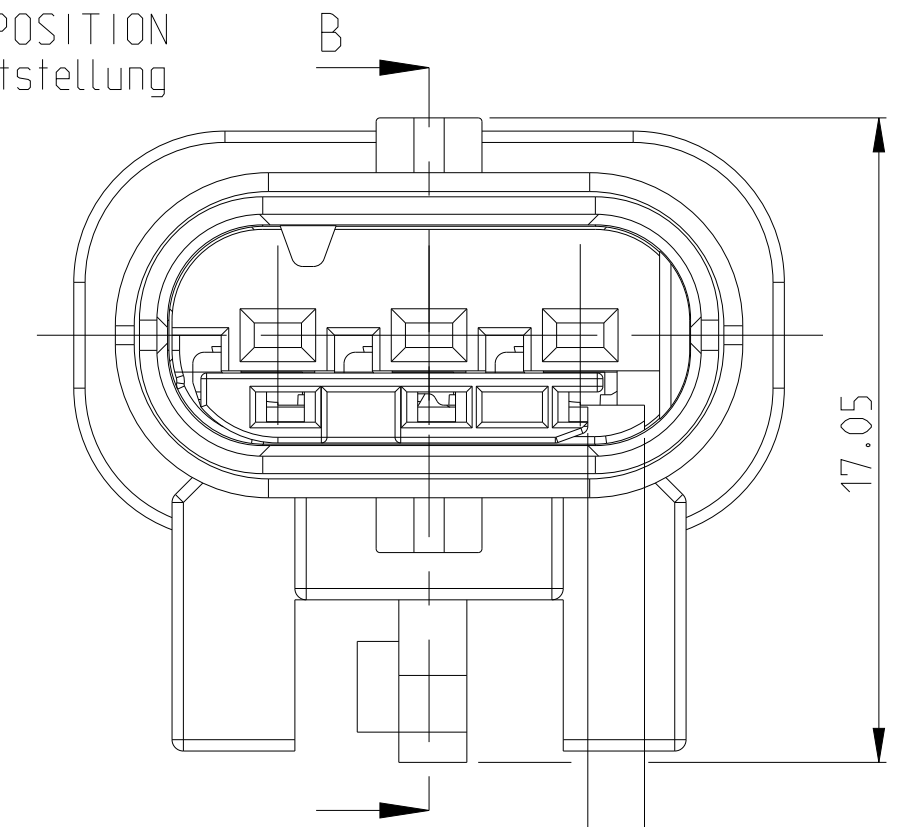
RETAINER MOVING DIRECTION
2.Kontaktsicherung Verschiebeweg

Coding	2:1
A	 1-1703494-1 - BLACK 1-1703494-4 - YELLOW 5-1703496-1 - BLUE
B	 2-1703494-1 - GREY 2-1703494-4 - YELLOW 6-1703494-1 - BLUE
C	 3-1703494-1 - BLACK
D	 4-1703494-1 - BLACK
MOUNTING CLIP VERSION	 MOUNTING CLIP VERSION I EW CAP-005-11

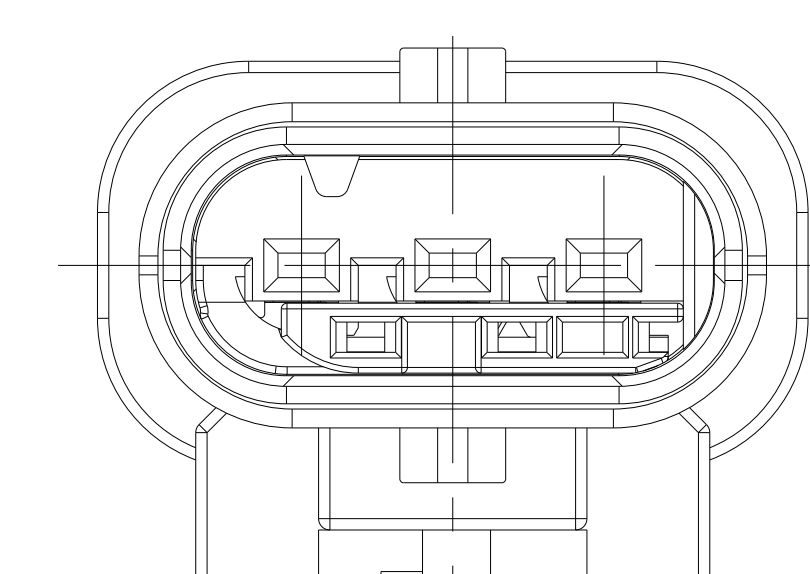
SHOWN 1-1703494-2



RETAINER IN PRE LOCKED POSITION
Kontaktsicherung in Vorraststellung

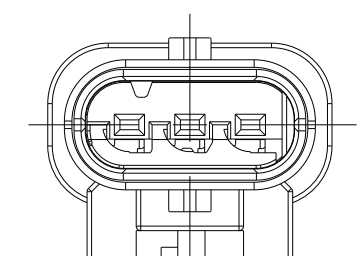
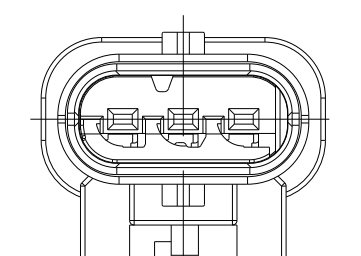
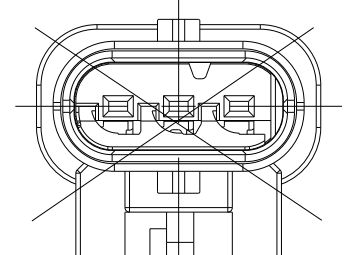
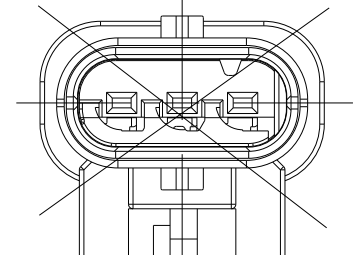
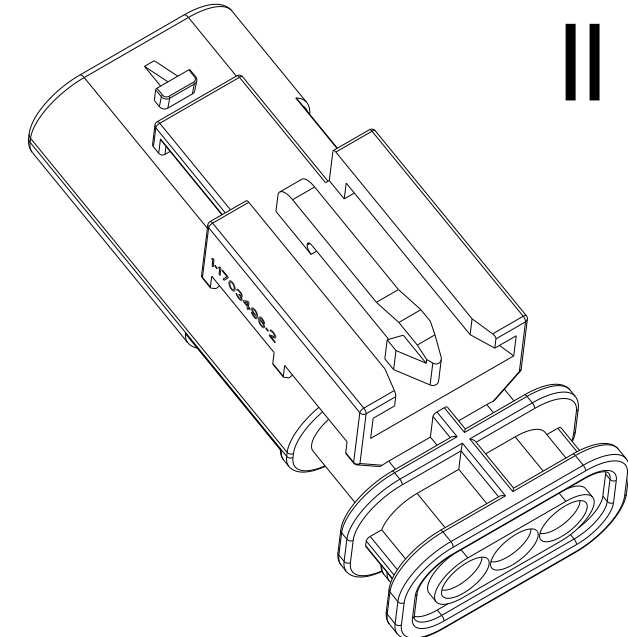


RETAINER IN FINAL LOCKED POSITION
2.Kontaktsicherung in Endraststellung



RETAINER MOVING DIRECTION
2.Kontaktsicherung Verschiebeweg

REVISIONS				
REV	DATE	DESCRIPTION	BY	APPD
B2	08NOV2010	PCN-E-10-022249	MT	HR
B4	02AUG2023	ECN-23-224821 (New dash variation added)	LSZ	SZN
B5	30MAY2024	New dash variation added: 5-1703494-1	GB	SZN

Coding	
A	 1-1703494-2 - BLACK
B	 2-1703494-2 - GREY
C	 3-1703494-2 - BLACK
D	 4-1703494-2 - BLACK
MOUNTING CLIP VERSION	 MOUNTING CLIP VERSION II

USED MCON 1.2mm LL MALE TERMINALS AND SEALS			
TE-PN. TERMINALS	WIRE RANGE	TE-PN. SINGLE WIRE SEAL	TE-PN. BLIND PLUG
1718756	0.14 - 0.22mm ²	967067-2	967056-1
1718758	0.25 - 0.35mm ²	967067-2	
1718760	0.5 - 0.75mm ²	967067-1	
1718762	1mm ²	967067-1	

TERMINAL TE-APPLICATION SPEC.: 114-18464.

TE	TE-SUITABLE FEMALE HSG. PASSENDE BUCHSENGEHOE	TE-BESTELL-NR. ORDER-NO.	TE-HOUSING M.HOUSING	ASSY REV.	REV.	M.CLIP VERS.	BENENNUNG TITLE	QTY	BENENNUNG Einzelteil TITLE	WERKSTOFF MATERIAL	OBERFLAECHE/FARBE SURFACE/C.OLOUR	POS. ITEM
-		4-1703494-2	B	D	II	Stiftgehaeuse 3pol. MALE HOUSING 3POS.	1 KONTAKTSICHERUNG RETAINER 1 STIFTGEHAUSE MALE HOUSING	1	PA66-GF35	violett/VIOLET	2	1d
-		3-1703494-2	B	C	II	Stiftgehaeuse 3pol. MALE HOUSING 3POS.	1 KONTAKTSICHERUNG RETAINER 1 STIFTGEHAUSE MALE HOUSING	1	PA66-GF35	violett/VIOLET	2	1c
2-1670917-1		2-1703494-2	1703494 (2-1703496-2)	B	B	II	Stiftgehaeuse 3pol. MALE HOUSING 3POS.	1 KONTAKTSICHERUNG RETAINER 1 STIFTGEHAUSE MALE HOUSING	PA66-GF35	violett/VIOLET	2	1b
1-1670917-1		1-1703494-2	1703494 (1-1703496-2)	B	A	II	Stiftgehaeuse 3pol. MALE HOUSING 3POS.	1 KONTAKTSICHERUNG RETAINER 1 STIFTGEHAUSE MALE HOUSING	PBT-GF30	grau/GREY	2	1a
2-1670917-1		6-1703494-1	1703494 (6-1703496-1)	B	B	I	Stiftgehaeuse 3pol. MALE HOUSING 3POS.	1 KONTAKTSICHERUNG RETAINER 1 STIFTGEHAUSE MALE HOUSING	PA66-GF35	violett/VIOLET	2	1
1-2463811-1		5-1703494-1	1703494 (5-1703496-1)	B	A	I	Stiftgehaeuse 3pol. MALE HOUSING 3POS.	1 KONTAKTSICHERUNG RETAINER 1 STIFTGEHAUSE MALE HOUSING	PA66-GF35	violett/VIOLET	2	1
2-1670917-1		2-1703494-4	1703494 (2-1703496-4)	B	B	I	Stiftgehaeuse 3pol. MALE HOUSING 3POS.	1 KONTAKTSICHERUNG RETAINER 1 STIFTGEHAUSE MALE HOUSING	PA66-GF35	violett/VIOLET	2	1
1-1670917-1		1-1703494-4	1703494 (1-1703496-4)	B	A	I	Stiftgehaeuse 3pol. MALE HOUSING 3POS.	1 KONTAKTSICHERUNG RETAINER 1 STIFTGEHAUSE MALE HOUSING	PBT-GF30	gelb/YELLOW	2	1b
-		4-1703494-1	B	D	I	Stiftgehaeuse 3pol. MALE HOUSING 3POS.	1 KONTAKTSICHERUNG RETAINER 1 STIFTGEHAUSE MALE HOUSING	1	PA66-GF35	violett/VIOLET	2	1d
-		3-1703494-1	B	C	I	Stiftgehaeuse 3pol. MALE HOUSING 3POS.	1 KONTAKTSICHERUNG RETAINER 1 STIFTGEHAUSE MALE HOUSING	1	PA66-GF35	violett/VIOLET	2	1c
2-1670917-1		2-1703494-1	1703494 (2-1703496-1)	B	B	I	Stiftgehaeuse 3pol. MALE HOUSING 3POS.	1 KONTAKTSICHERUNG RETAINER 1 STIFTGEHAUSE MALE HOUSING	PA66-GF35	violett/VIOLET	2	1b
1-1670917-1		1-1703494-1	1703494 (1-1703496-1)	B	A	I	Stiftgehaeuse 3pol. MALE HOUSING 3POS.	1 KONTAKTSICHERUNG RETAINER 1 STIFTGEHAUSE MALE HOUSING	PBT-GF30	grau/GREY	2	1a

THIS DRAWING IS A CONTROLLED DOCUMENT. DATE: 10MAY2007. CHG. RIDDER: 10MAY2007. G. NUMBER: 10MAY2007. PRODUCT SPEC: 108-94.177. APPLICATION SPEC: 114-18910-1. WEIGHT: 4.93g. MATERIAL: FINISH: ST. CUSTOMER DRAWING. SCALE: 5:1. SHEET: 1 OF 1. REV: B5.

STE TE Connectivity
MALE HOUSING, 3POS. MCON 1.2mm SEALED TOP / SIDE LATCH
Stiftgehaeuse, 3pol. MCON1.2mm gedichtet