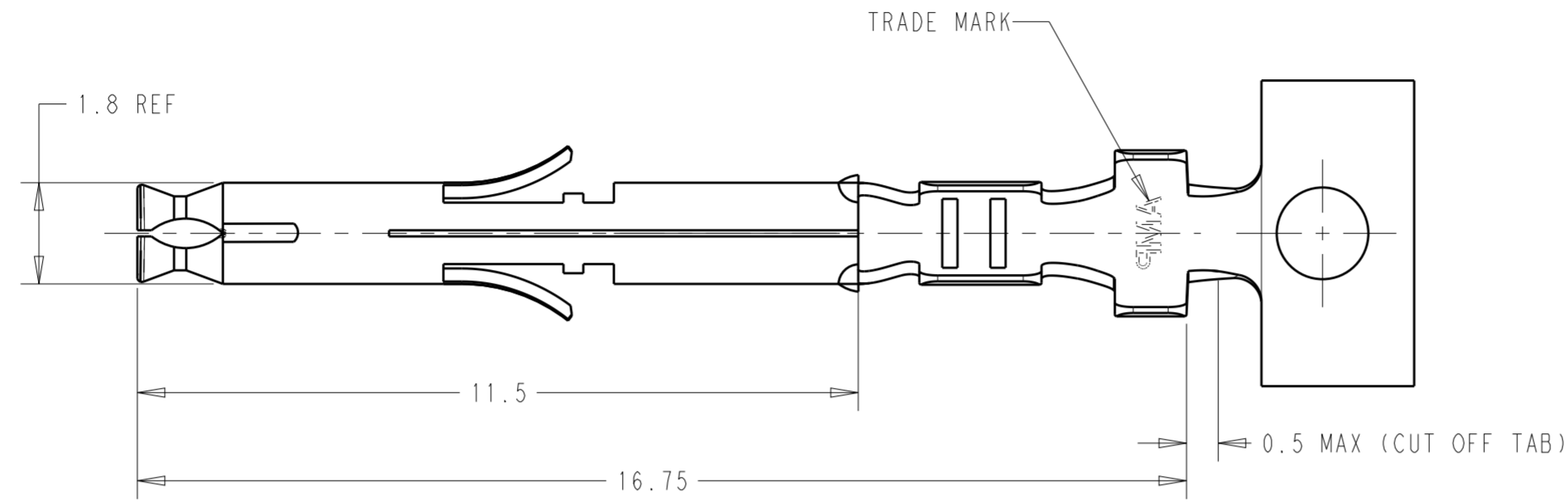
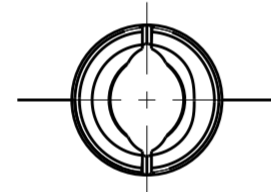


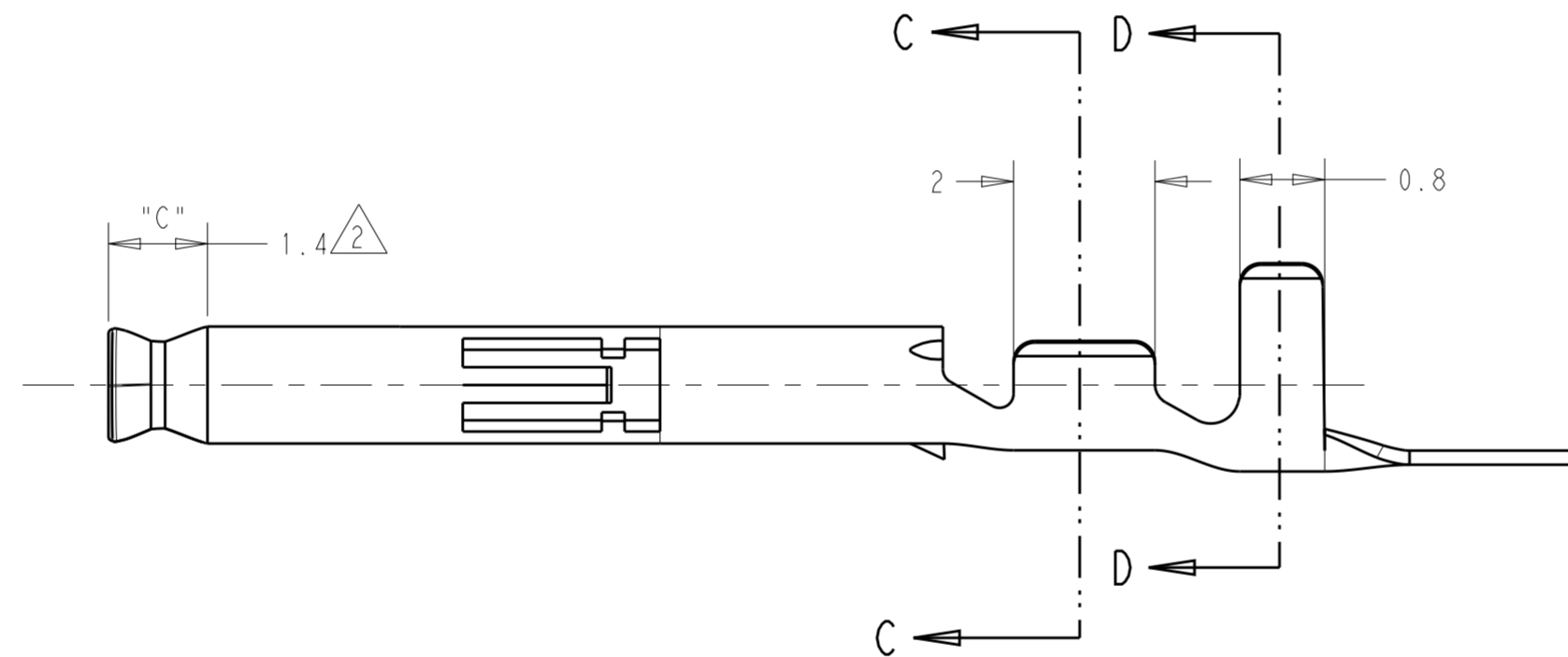
P	LTR	DESCRIPTION	DATE	DWN	APVD
F2		REVISED PER ECR-20-005023	24APR2020	BDA	SW
G		REVISED FOR ECR-20-100490	29SEP2020	PC	SW



- 1 APPLICABLE HOUSING: CAP AND PLUG.
- 2 SELECTIVE GOLD PLATED AREA "C" 0.0004mm MIN THICK OVER Ni PLATE ON INSIDE SURFACE.



SCALE 12:1



SECTION C-C  
SCALE 15:1

SECTION D-D  
SCALE 15:1

170359, 170360 170363, 170364	(PRE-TIN PHOZ BRO)	170365-4	170361-4
170359, 170360 170363, 170364	(GOLD PLATE) 2	170365-3	170361-3
170359, 170360 170363, 170364	(PRE-TIN BRASS)	170365-1	170361-1
MATING PART NUMBER	FINISH	LOOSE PIECE PART NUMBER	PART NUMBER

THIS DRAWING IS A CONTROLLED DOCUMENT.		DWN	-	TE Connectivity	
DIMENSIONS:		CHK	-		
mm		APVD	-		
TOLERANCES UNLESS OTHERWISE SPECIFIED:		PRODUCT SPEC		NAME	
0 PLC	±0.3	108-5138		MINI UNIVERSAL MATE-N-LOK	
1 PLC	±0.3	APPLICATION SPEC		SOCKET CONTACT	
2 PLC	±	114-5050		SIZE	A2
3 PLC	±	WEIGHT		CAGE CODE	00779
4 PLC	±	MATERIAL		DRAWING NO	C-170361
ANGLES	±	FINISH		RESTRICTED TO	-
FINISH	SEE TABLE	CUSTOMER DRAWING		SCALE	5:1
				SHEET	1 OF 1
				REV	G