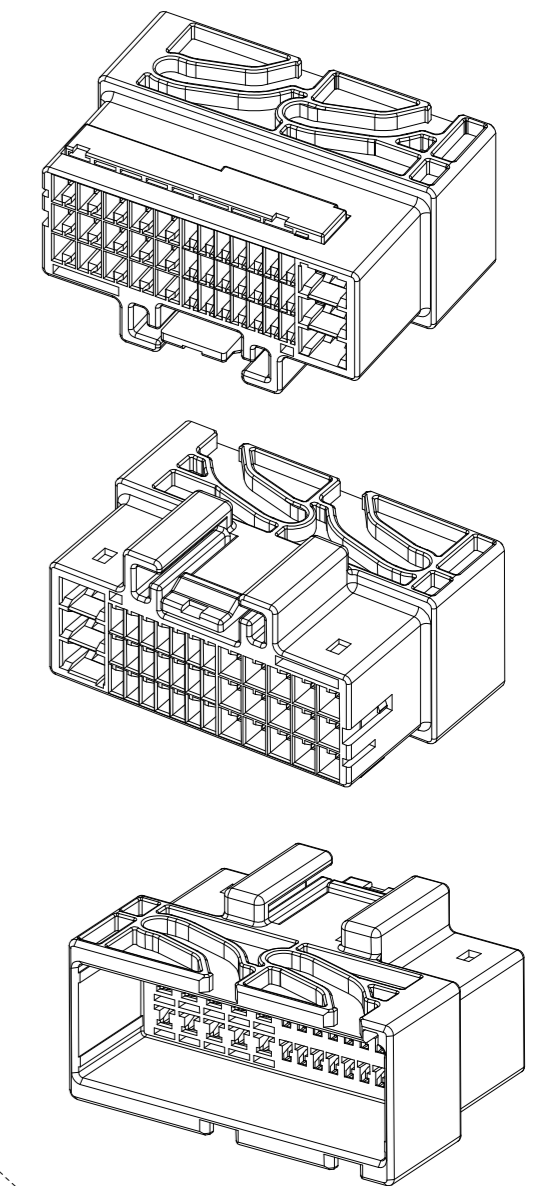
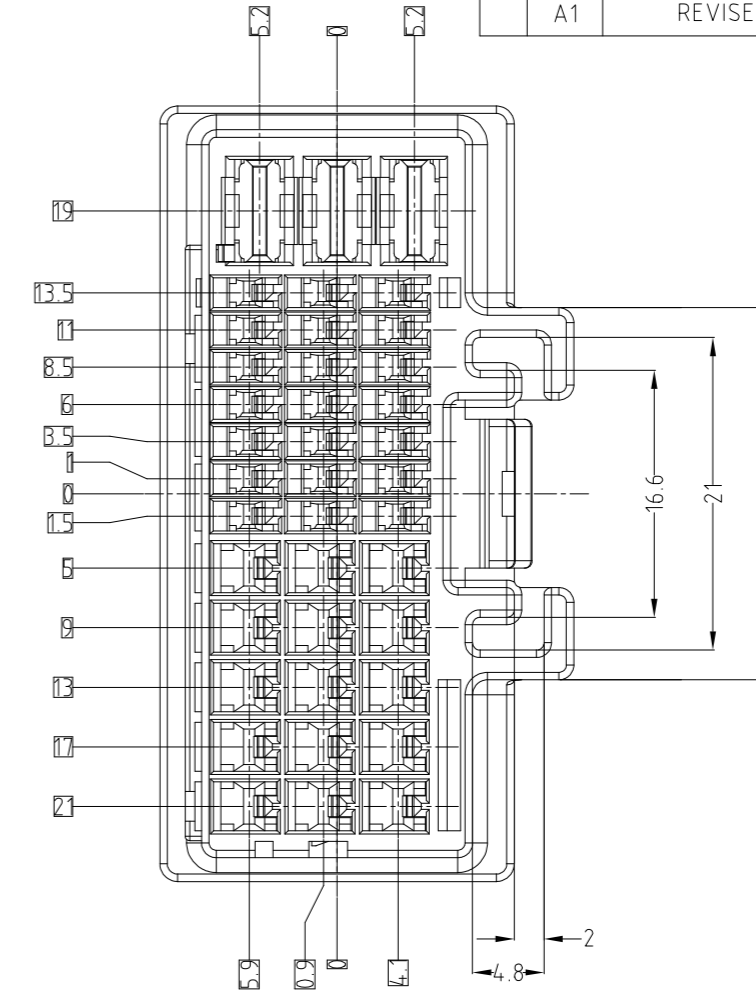
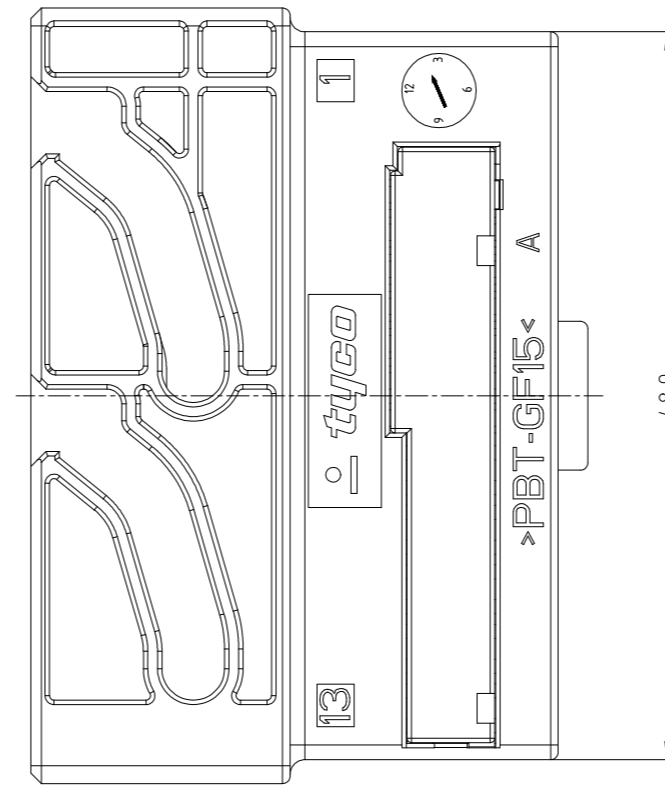
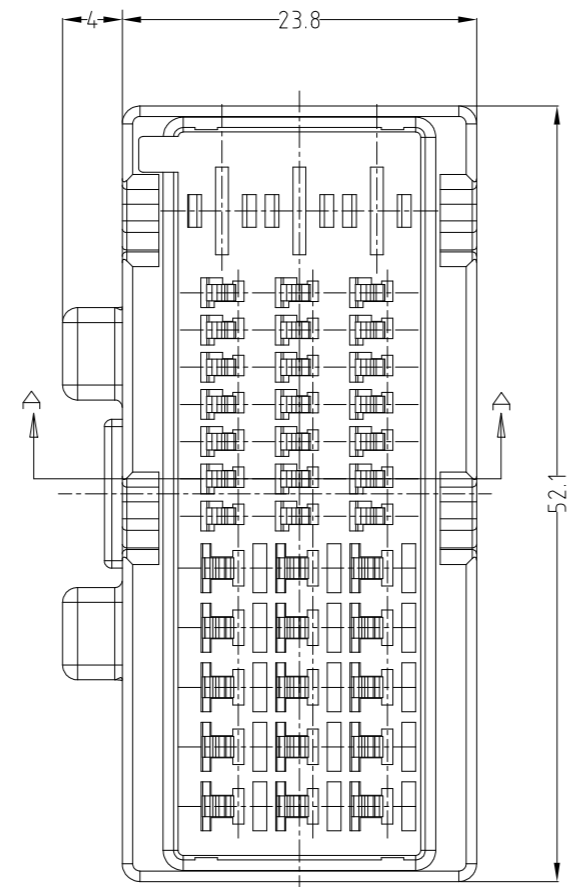
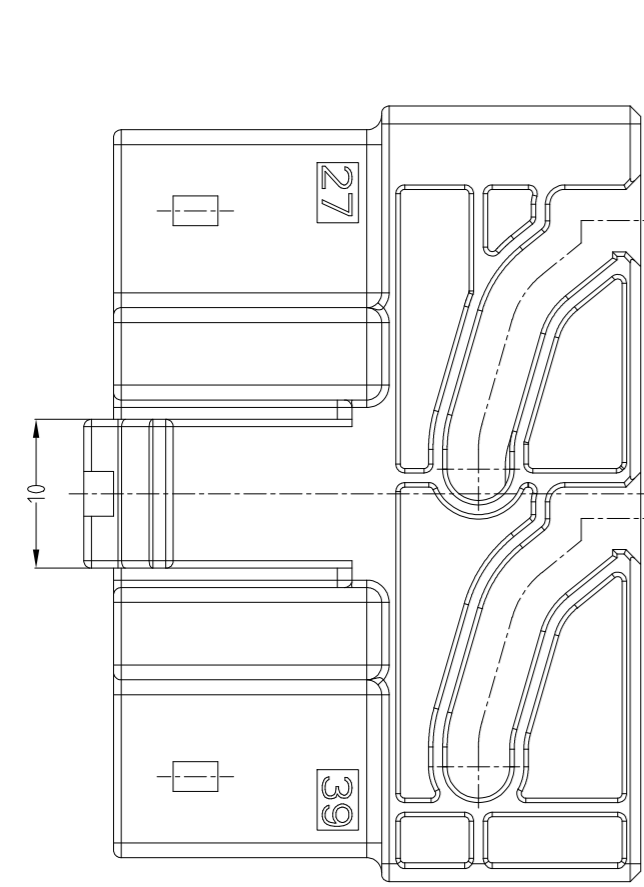


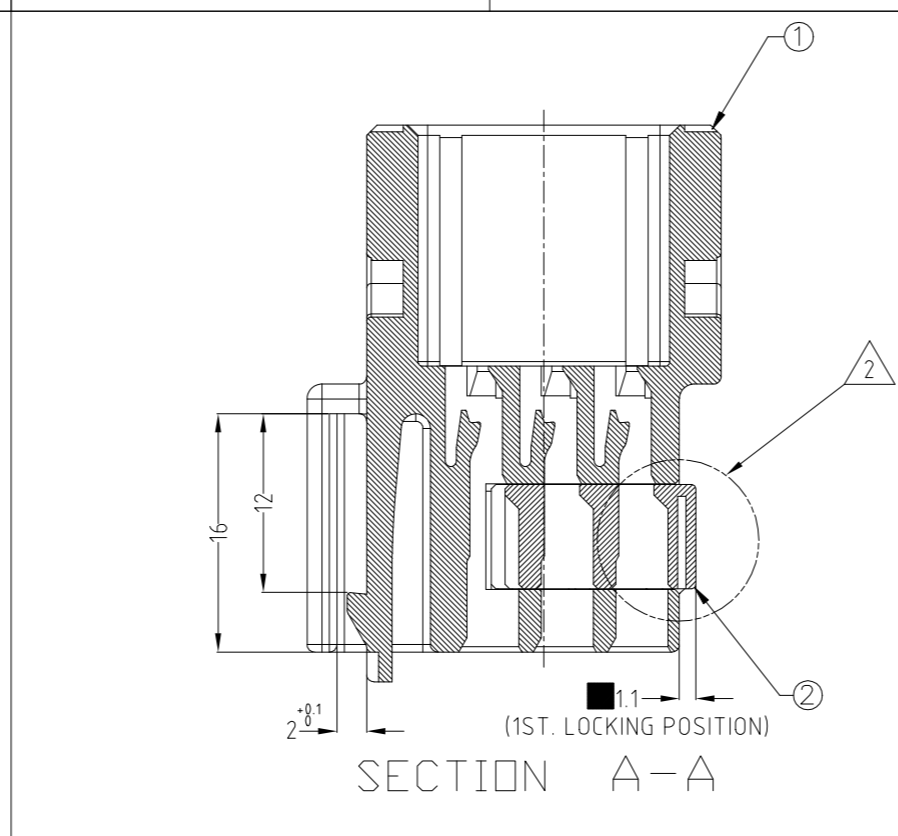
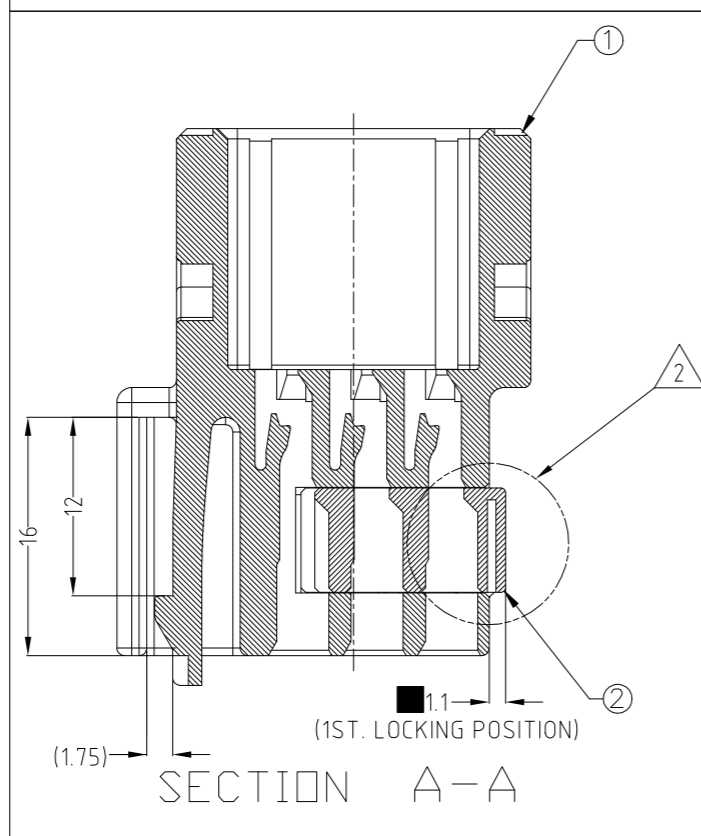
REVISIONS					
P	LTR	DESCRIPTION	DATE	DWN	APVD
0		RELEASE(FC00-0293-04)	30/NOV/04	YD.	CS
A		REVISED(ECR-06-028778)	11/DEC/06	SW	JK
A1		REVISED(ECR-17-017666)	25/JUL/18	YJ	YJ



(SCALE 1:1)

SHAPE OF CONVERSION TYPE

A1) 2-1743086-9(PURPLE)	0-1743086-2(BLACK)	1-1743086-3(GRAY)



- NOTES:
- GENERAL TOLERANCE IS  $\pm 0.3$
  - CONDITION OF DELIVERY :  
DBL IN 1ST LOCKING POSITION
  - APPLIED PLUG ASS'Y P/N: X-1743089-X
  - APPLIED TAB CONTACT P/N : TABLE 1

TABLE 1-

TYPE	Part NO.	WIRE SIZE(mm <sup>2</sup> )	MATERIAL/FINISH
.040	0-353537-1	0.3 - 0.85	COPPER ALLOY / PRE-TIN
.090	0-368088-1	0.3 - 0.5	COPPER ALLOY / 0--PRE-TIN / 1--GOLD
	1-368088-1		
	0-368087-1	2.0	
	1-368087-1		
	0-368086-1		
1-368086-1			
.250	0-964308-1	2.5 - 4.0	HIGH COPPER ALLOY / PRE-TIN

NO.	COLOR	MATERIAL	DESCRIPTION	P/N	ASS'Y P/NO.		
					2-1743086-9	1-1743086-3	0-1743086-2
②	NATURAL	PBT	DBL HSG	0-1743088-1	1	1	1
A1) ①	PURPLE	PBT-GF10	CAP HSG	2-1743087-9	1	-	-
①	GRAY	PBT-GF15	CAP HSG	1-1743087-3	-	1	-
①	BLACK	PBT-GF15	CAP HSG	0-1743087-2	-	-	1

THIS DRAWING IS A CONTROLLED DOCUMENT FOR TYCO ELECTRONICS CORPORATION. IT IS SUBJECT TO CHANGE AND THE CONTROLLING ENGINEERING ORGANIZATION SHOULD BE CONTACTED FOR THE LATEST REVISION.

DIMENSIONS: mm

TOLERANCES UNLESS OTHERWISE SPECIFIED:  
 0-XX-10  $\pm 0.2$   
 10-XX-30  $\pm 0.25$   
 30-XX  $\pm 0.3$   
 ANGLES  $\pm 3^\circ$

3rd ANGLE PROJECTION

MATERIAL: SEE TABLE

FINISH

DWN : SW NA  
 CHK : YM CHOI  
 APVD : JK SONG

PRODUCT SPEC  
 APPLICATION SPEC

WEIGHT

NAME: CAP ASSEMBLY CONNECTOR FOR HYB. 39POS (.040/.090/.250 SIZE "LIF")

SIZE: A2 CAGE CODE: 00779 DRAWING NO: 1743086 RESTRICTED TO

CUSTOMER DRAWING SCALE: 2/1 SHEET: 1 OF 1 REV: A1