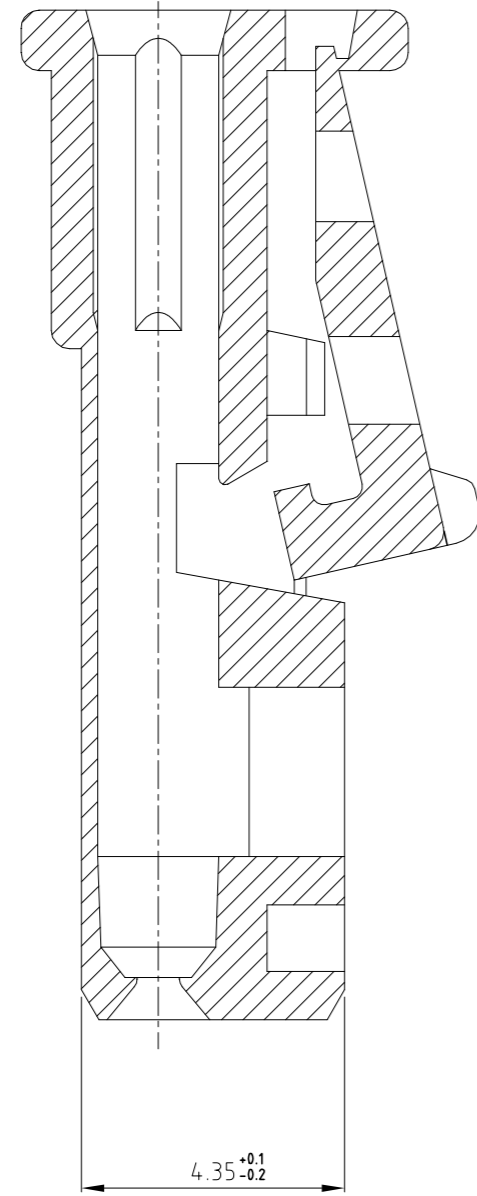
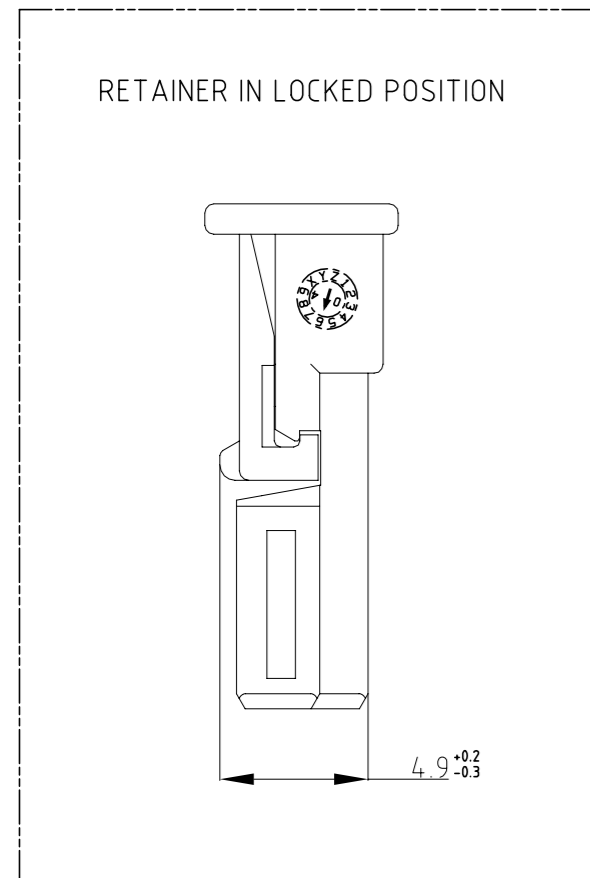
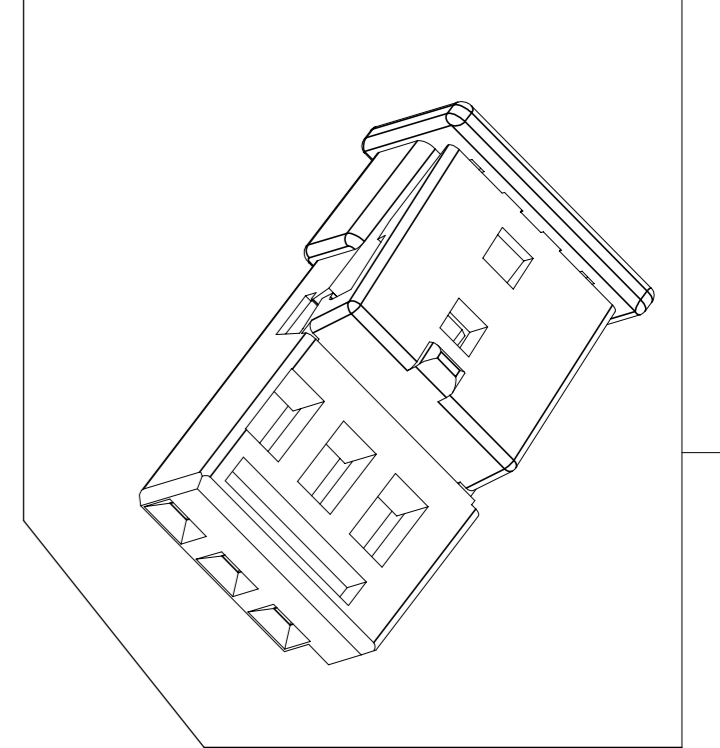
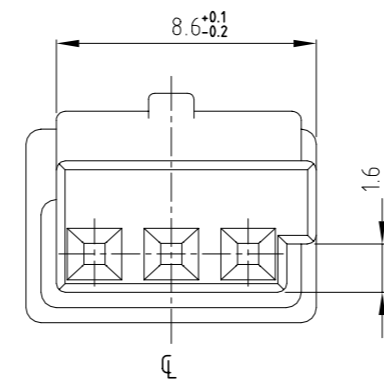
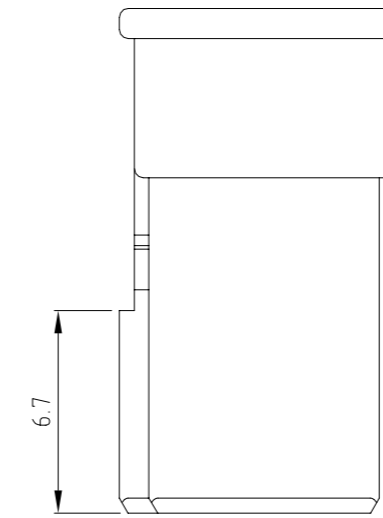
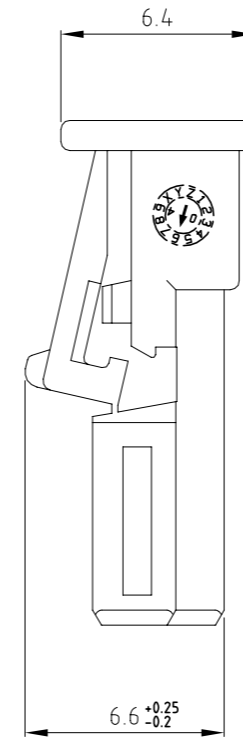
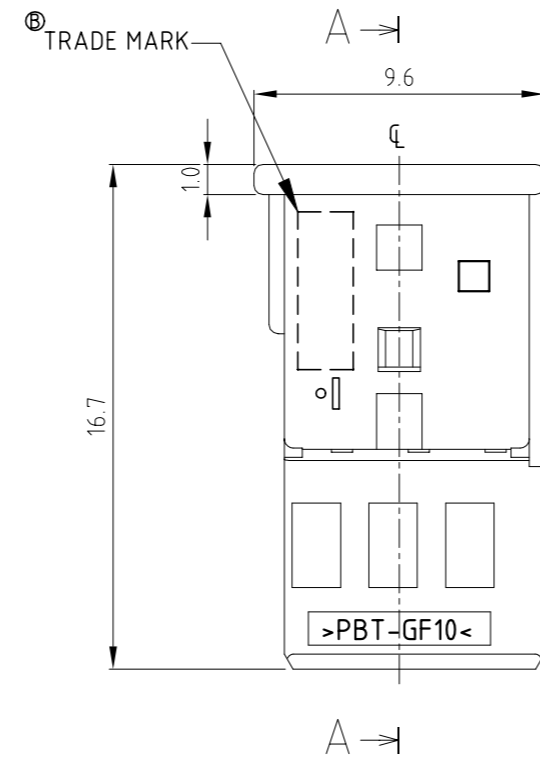
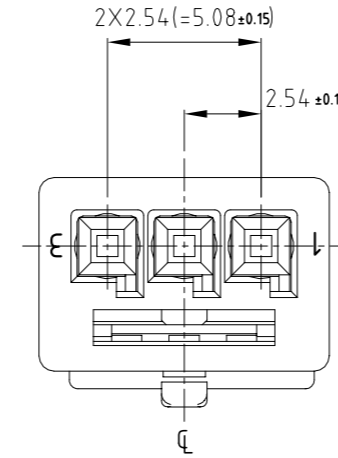


REVISIONS				
P	LTR	DESCRIPTION	DATE	APVD
A		REVISED (FC00-0030-05)	25JAN'05	YD CS
B		REVISED (ECR-10-024376)	08DEC'10	SJ HG
B1		REVISED (ECR-17-016653)	13NOV'17	HH YJ
B2		REVISED (ECR-22-150596)	26AUG'22	DG YJ



SECTION A-A
SCALE 8:1



RETAINER IN LOCKED POSITION

NOTES

1. GENERAL TOLERANCE : DIMENSION ±0.3 ANGLE ±3°
2. SUITABLE FOR WIRE SIZE RANGE : 0.2-0.75mm²
3. CONDITION AS DELIVERY : RETAINER IN PRE-LOCKED POSITION
4. SUITABLE FOR PIN HEADER ASS'Y HSG : P/N X-1743156-X
5. APPLICABLE RECEPTACLE CONTACT P/N ;

WIRE SIZE (mm ²)	0.2 - 0.5	0.75
(B2) PART NO.	5-928999-X	5-963715-X

(B1)	0-1743164-7	MQS PLUG HOUSING, 3POS	PBT-GF10	GREEN
	0-1743164-2	MQS PLUG HOUSING, 3POS	PBT-GF10	BLACK
(A)	0-1743164-1	MQS PLUG HOUSING, 3POS	PBT-GF10	NATURAL
	PART NO.	DESCRIPTION	MATERIAL	COLOR

THIS DRAWING IS A CONTROLLED DOCUMENT.		DWN S.J. CHOI	TE Connectivity		
DIMENSIONS: MM		CHK J.W. JUNG			
TOLERANCES UNLESS OTHERWISE SPECIFIED: SEE NOTES		APVD H.G. CHO	NAME MQS LUG HOUSING, 3POS		
MATERIAL SEE TABLE		FINISH -	SIZE A2	CAGE CODE 00779	DRAWING NO. C-1743164
		WEIGHT -	RESTRICTED TO -		SCALE 2:1
		CUSTOMER DRAWING	SHEET 1 OF 1	REV B2	