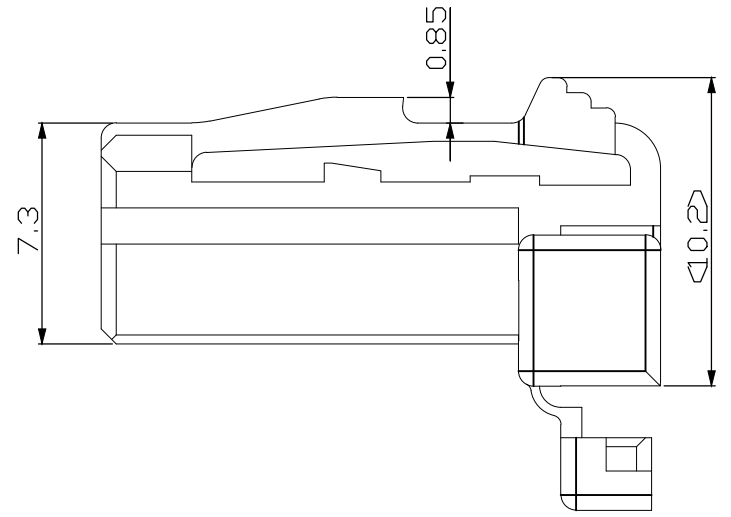
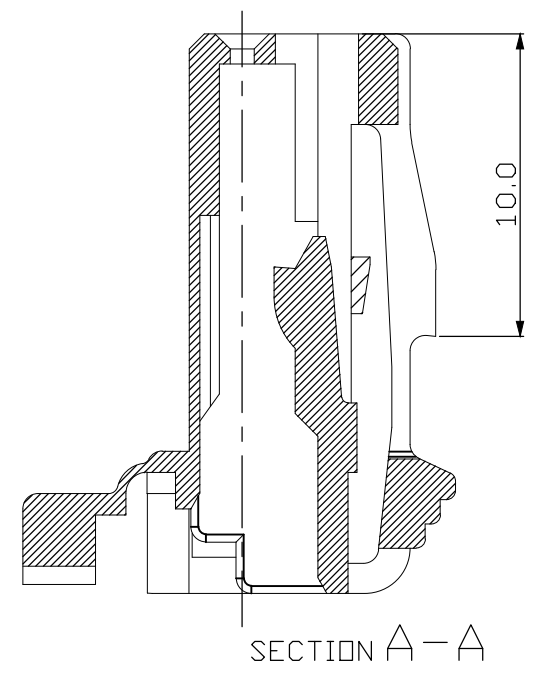
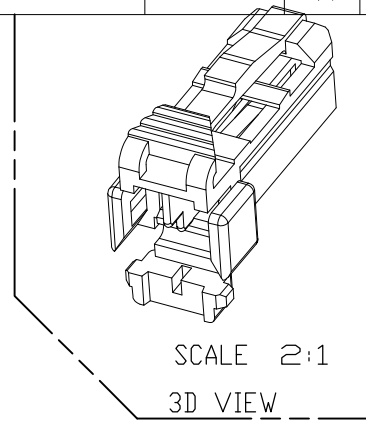
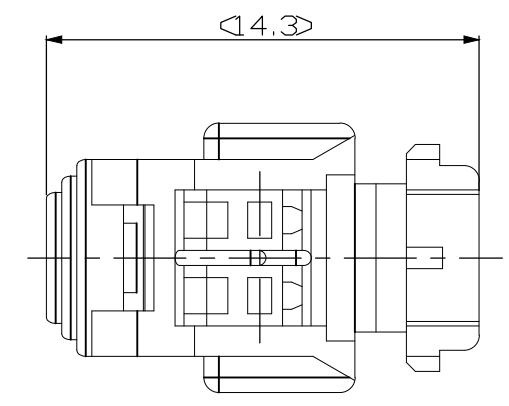
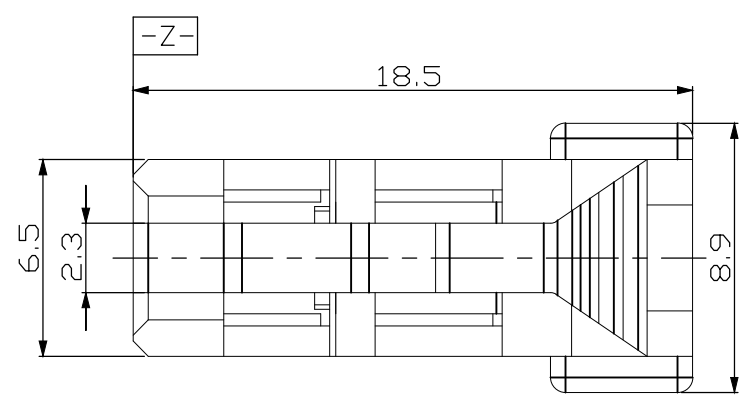
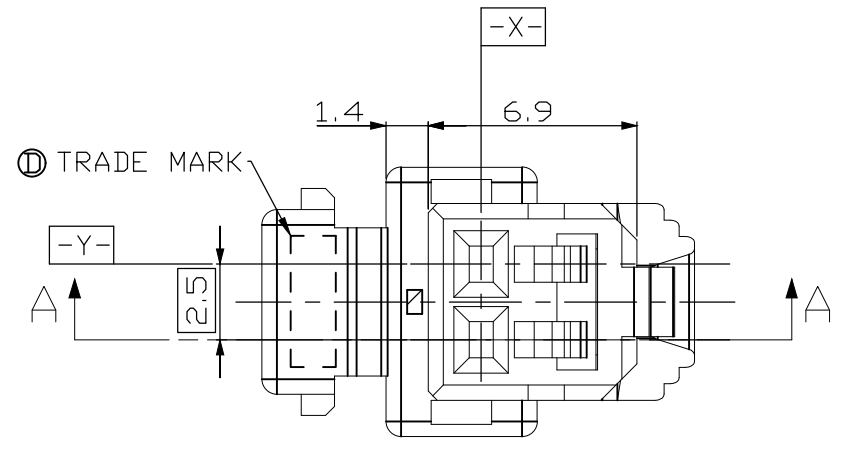


P	LTR	DESCRIPTION	DATE	DWN	APVD
D1		REVISED ECR-20-006478	08JUL2020	VI	SPB



NOTE

- 1 GENERAL TOLERANCES  $\pm 0.3$  ,  $\pm 3^\circ$
- 3 APPLIED REC. CONTACT P/N :

	PART NO.	WIRE SIZE (mm <sup>2</sup> )
040 REC	173681-1	0.3 ~ 0.55

OBSOLETE

BLACK	PBT	1743466-2
WHITE	PBT	1743466-1
COLOR	MATERIAL	P/N

THIS DRAWING IS A CONTROLLED DOCUMENT.		DWN JH CHO	TE Connectivity Ltd.			
DIMENSIONS: mm		CHK KT LIM				NAME 040 MK-1 2P PLUG HSG FOR DOOR LOCK S/W
TOLERANCES UNLESS OTHERWISE SPECIFIED:		APVD HG CHO	PRODUCT SPEC			
0 PLC $\pm -$ 1 PLC $\pm -$ 2 PLC $\pm -$ 3 PLC $\pm -$ 4 PLC $\pm -$ ANGLES $\pm -$		APPLICATION SPEC	RESTRICTED TO			
MATERIAL SEE NOTE		FINISH	WEIGHT 0	SIZE A3	CAGE CODE 00779	DRAWING NO C-1743466
CUSTOMER DRAWING			SCALE 1:1	SHEET 1 OF 1	REV D1	