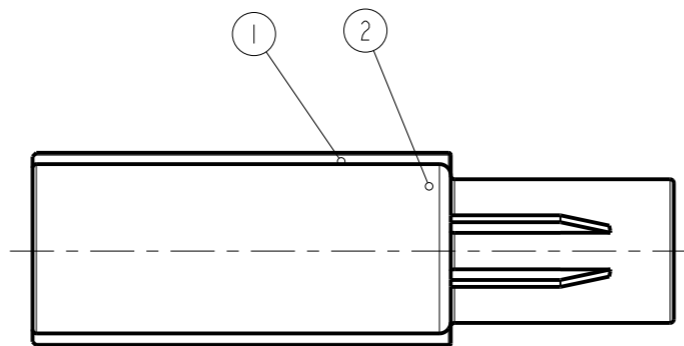
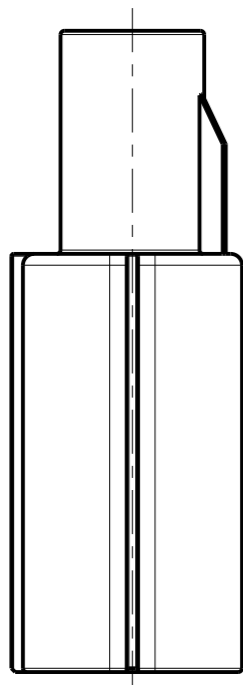
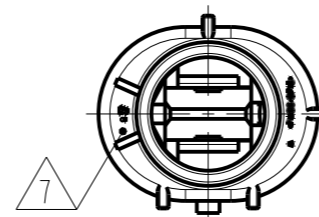
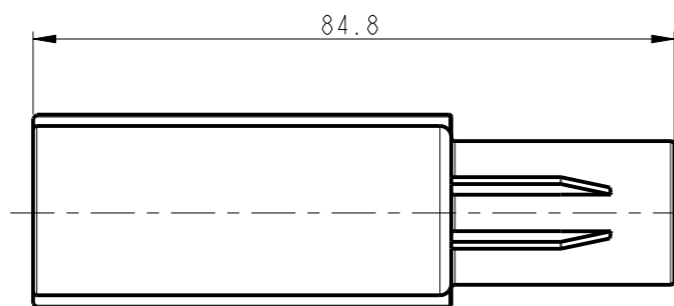
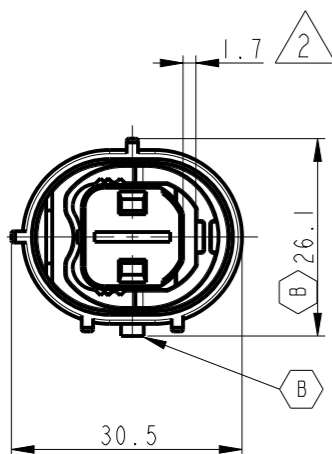
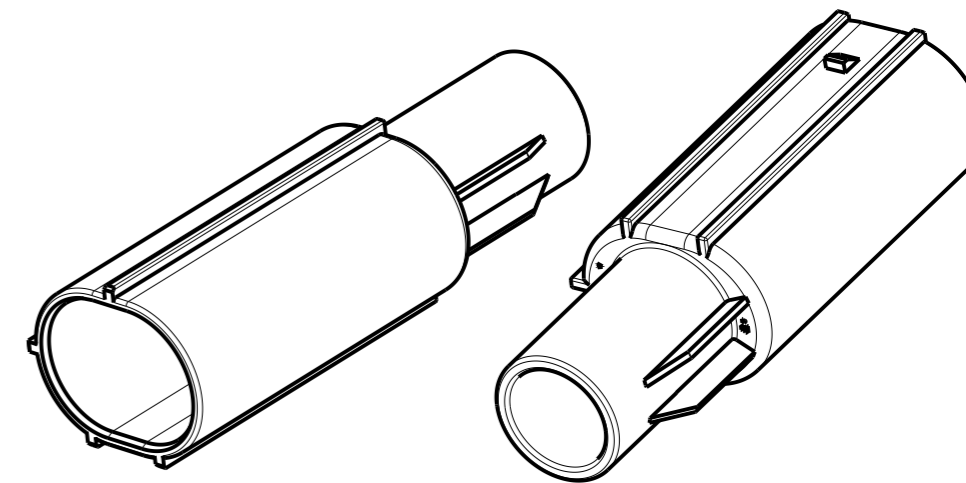


REVISIONS

P	LTR	DESCRIPTION	DATE	DWN	APVD
	A4	REVISED (ECR-20-001845)	07FEB2020	JH	YJ
	B	REVISED (ECR-20-015966)	04JAN2021	YH	YJ



SCALE 1:1



NOTES

- 1. GENERAL TOLERANCE : ± 0.5 , $\pm 3^\circ$
- 2. CONDITION OF DELIVERY : DBL PLATE IN OPEN POSITION.
- 3. APPLICABLE CONTACT P/N : 963774
- A4 4. APPLICABLE SINGLE WIRE SEAL P/N : 1355437-2(COLOR : BLUE)
INSULATION DIAMETER : 5.8~6.6mm
- 5. APPLICABLE PLUG ASS'Y P/N : 1743793
- A2 6. INSERTION FORCE BETWEEN CONTACT AND HSG : MAX 7.5Kgf
- A2 7. TE LOGO

ASS'Y P/N	1743797-1
-----------	-----------

NO	FINISH/ COLOR	MATERIAL	DESCRIPTION	Q'TY
2	NATURAL	PA66-GF15	DBL HSG	1
1	BLACK	PA66-GF15	CAP HSG	1

THIS DRAWING IS A CONTROLLED DOCUMENT.		DWN	YH MA														
DIMENSIONS: mm		CHK	YD LEE														
TOLERANCES UNLESS OTHERWISE SPECIFIED:		APVD	YJ YOUN	NAME													
<table border="1"> <tr> <td>0 PLC</td> <td>±</td> </tr> <tr> <td>1 PLC</td> <td>±</td> </tr> <tr> <td>2 PLC</td> <td>±</td> </tr> <tr> <td>3 PLC</td> <td>±</td> </tr> <tr> <td>4 PLC</td> <td>±</td> </tr> <tr> <td>ANGLES</td> <td>±</td> </tr> </table>		0 PLC	±	1 PLC	±	2 PLC	±	3 PLC	±	4 PLC	±	ANGLES	±	PRODUCT SPEC	108-61137 (A1)	MCP 9.5mm IP CAP ASS'Y	
0 PLC	±																
1 PLC	±																
2 PLC	±																
3 PLC	±																
4 PLC	±																
ANGLES	±																
3rd ANGLE PROJECTION		APPLICATION SPEC	411-61066 (A3)	SIZE	A3												
MATERIAL SEE TABLE		WEIGHT	-	CAGE CODE	00779												
FINISH		CUSTOMER DRAWING		DRAWING NO	C=1743797												
		SCALE 1:1		RESTRICTED TO	-												
		SHEET 1 OF 1		REV	B												