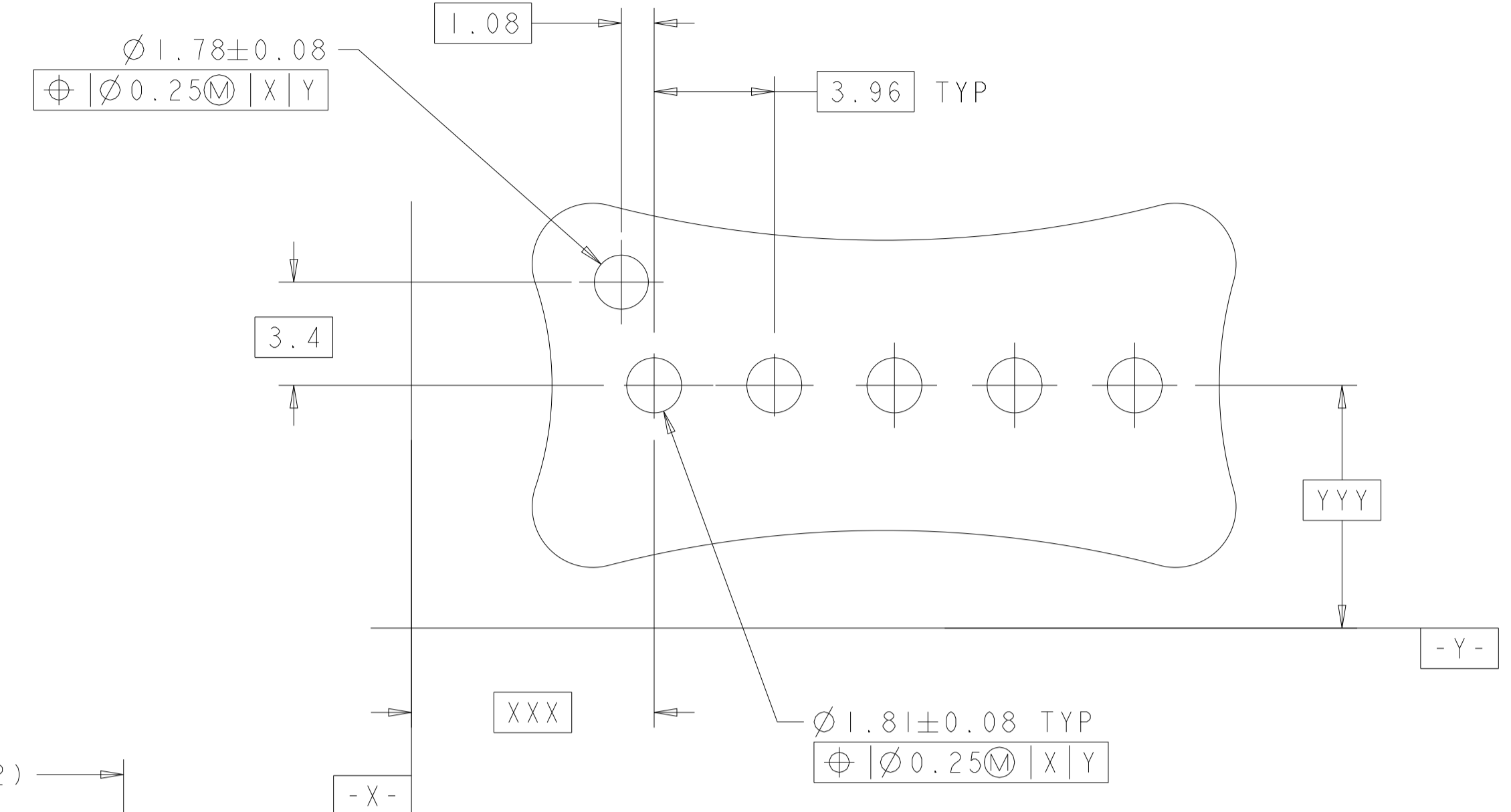
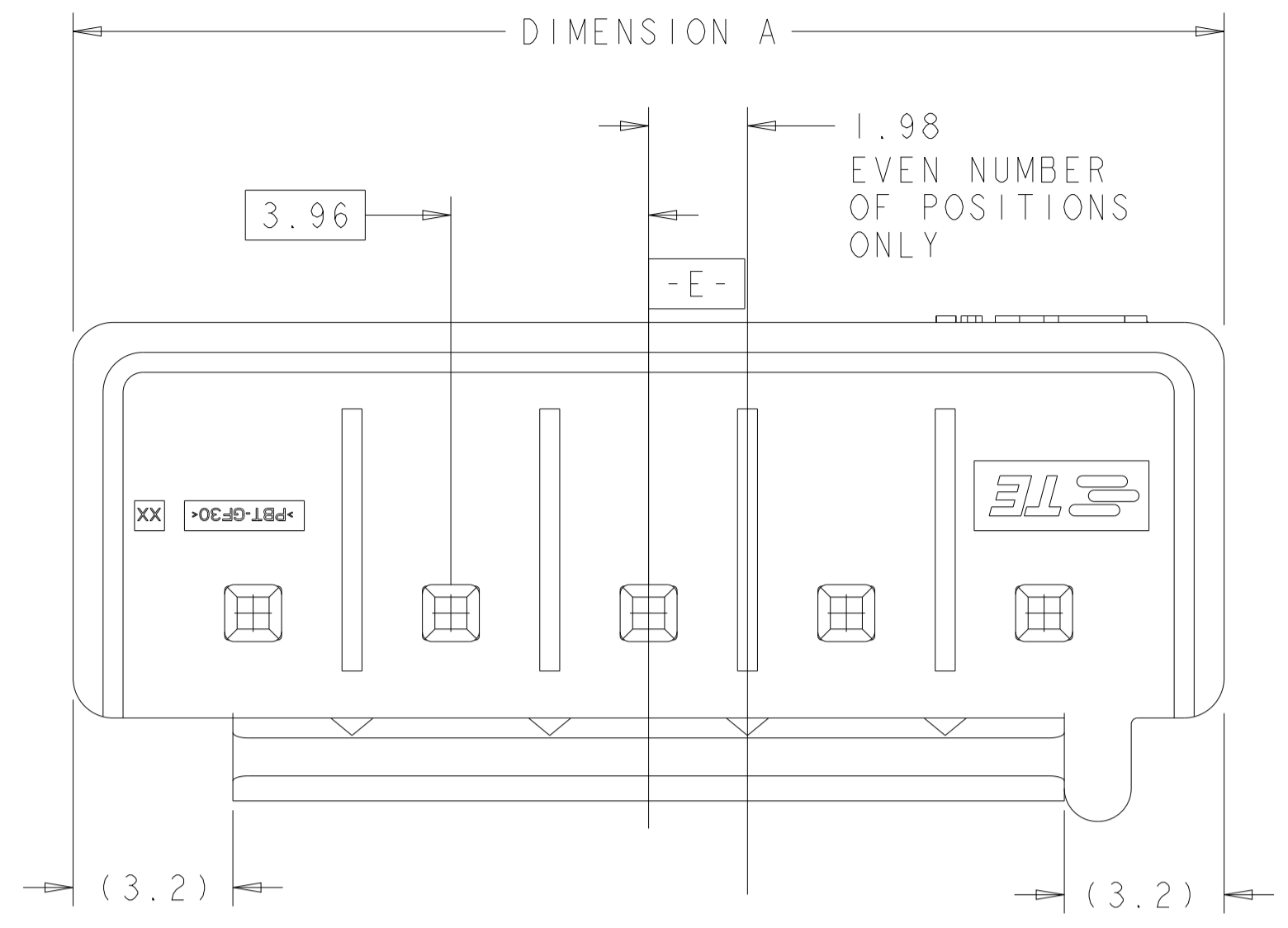
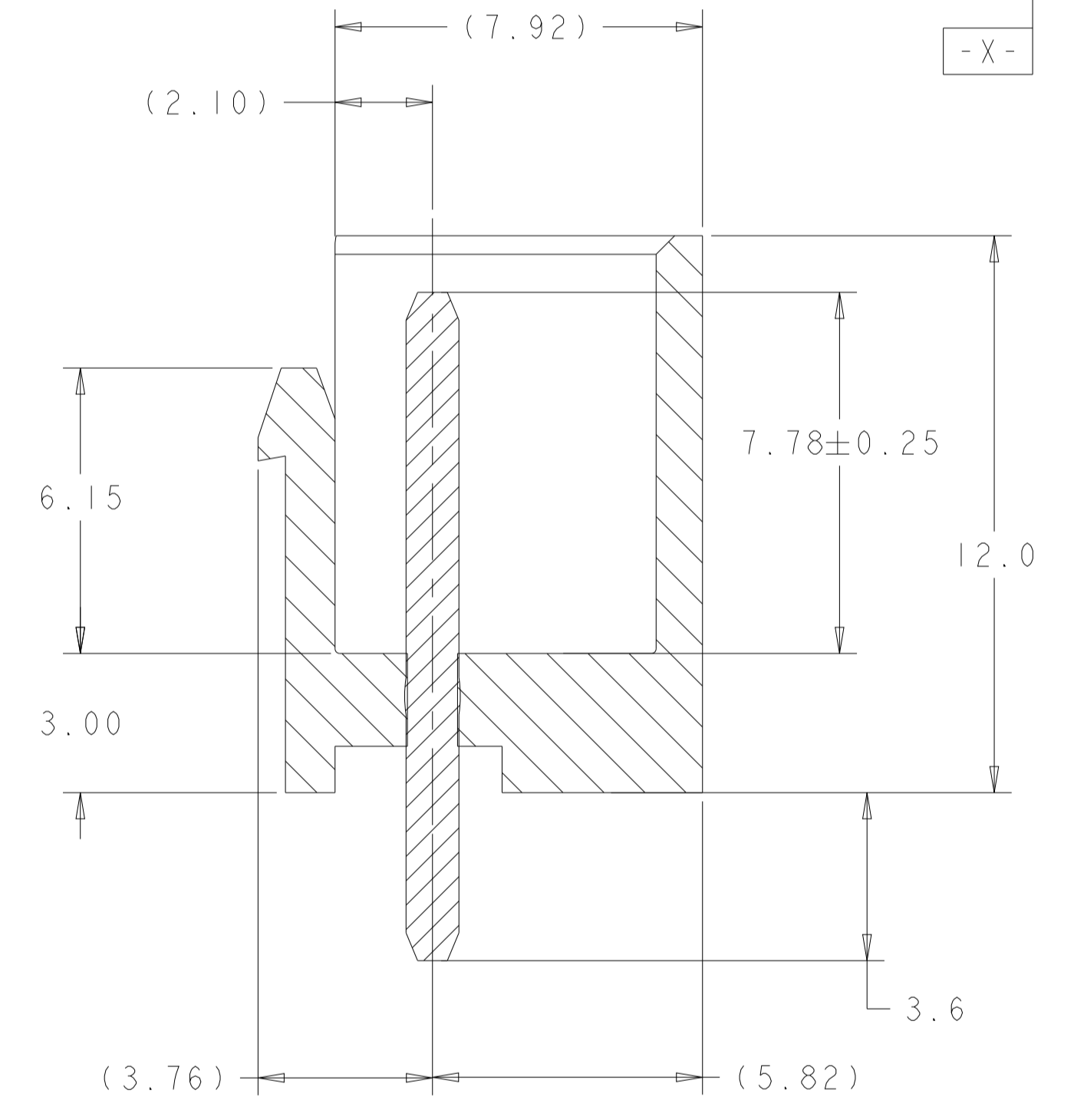
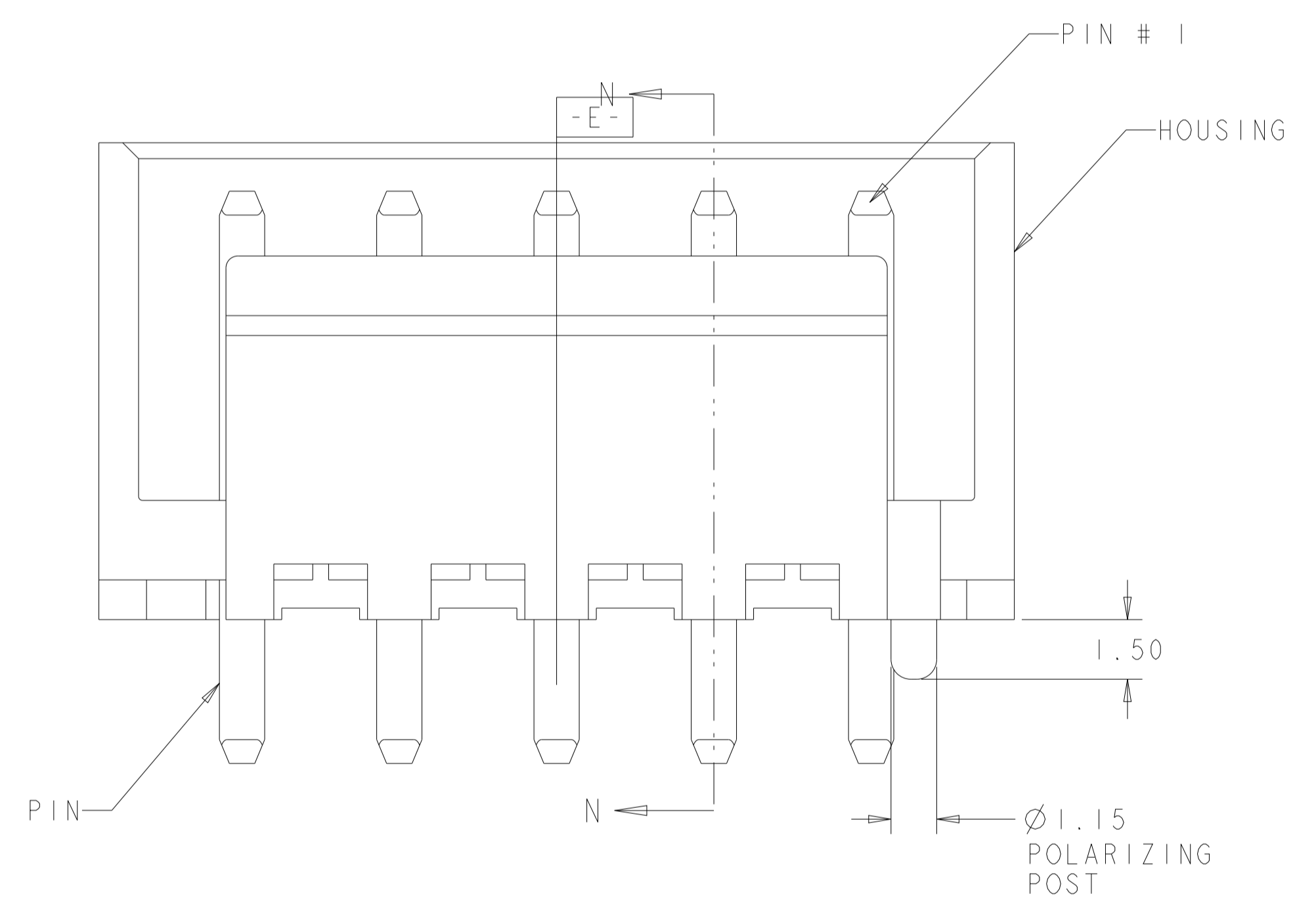


LOC		DIST		REVISIONS			
P	LTN	DESCRIPTION	DATE	DWN	APVD		
A		REVISED PER ECR-14-002687	07MAR2014	NK	TM		
B		REVISED PER ECR-24-212470	05JUL2024	AN	NH		

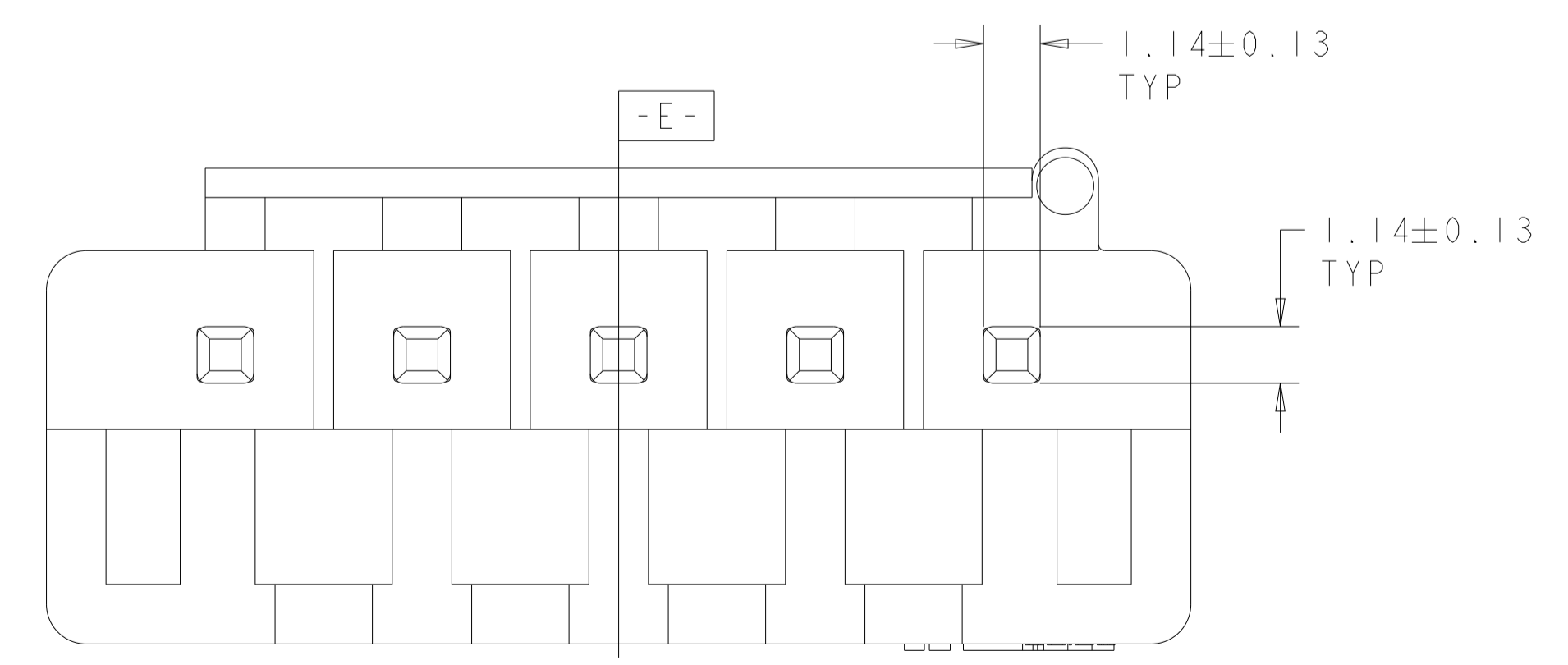


RECOMMENDED PCB LAYOUT  
SCALE 6:1

- ⚠ MATERIAL: HOUSING; PBT GLASS FILLED UL94V-0  
PIN; BRASS, GREEN
- ⚠ FINISH: PIN, 1.0µm MIN TIN OVER 0.8µm MIN NICKEL.



SECTION N-N



50.77	12	1-1744485-2
46.81	11	1-1744485-1
42.85	10	1-1744485-0
38.89	9	1744485-9
34.93	8	1744485-8
30.97	7	1744485-7
27.01	6	1744485-6
23.05	5	1744485-5
19.09	4	1744485-4
15.13	3	1744485-3
11.17	2	1744485-2
DIM A	POS	ASSEMBLY PART NO.

THIS DRAWING IS A CONTROLLED DOCUMENT.		DWN: KIRAN HOLAL 11AUG2012	TE Connectivity SHROUDED HEADER ASSEMBLY, SINGLE LATCH, 3.96mm PITCH, ECONOMY POWER (EP), GREEN
DIMENSIONS: mm		CHK: MACE SAM 11AUG2012	
TOLERANCES UNLESS OTHERWISE SPECIFIED: 0 PLC ±.50 1 PLC ±.30 2 PLC ±.25 3 PLC ±.20 4 PLC ±.15 ANGLES ° ±.1 FINISH ±.05		APVD: MACE SAM 11AUG2012 NAME: PRODUCT SPEC 108-5609 APPLICATION SPEC	
MATERIAL: ⚠		WEIGHT: -	SIZE: A1 CAGE CODE: 00779 DRAWING NO: C=1744485 RESTRICTED TO: - Customer Drawing SCALE 8:1 SHEET 1 OF 1 REV B