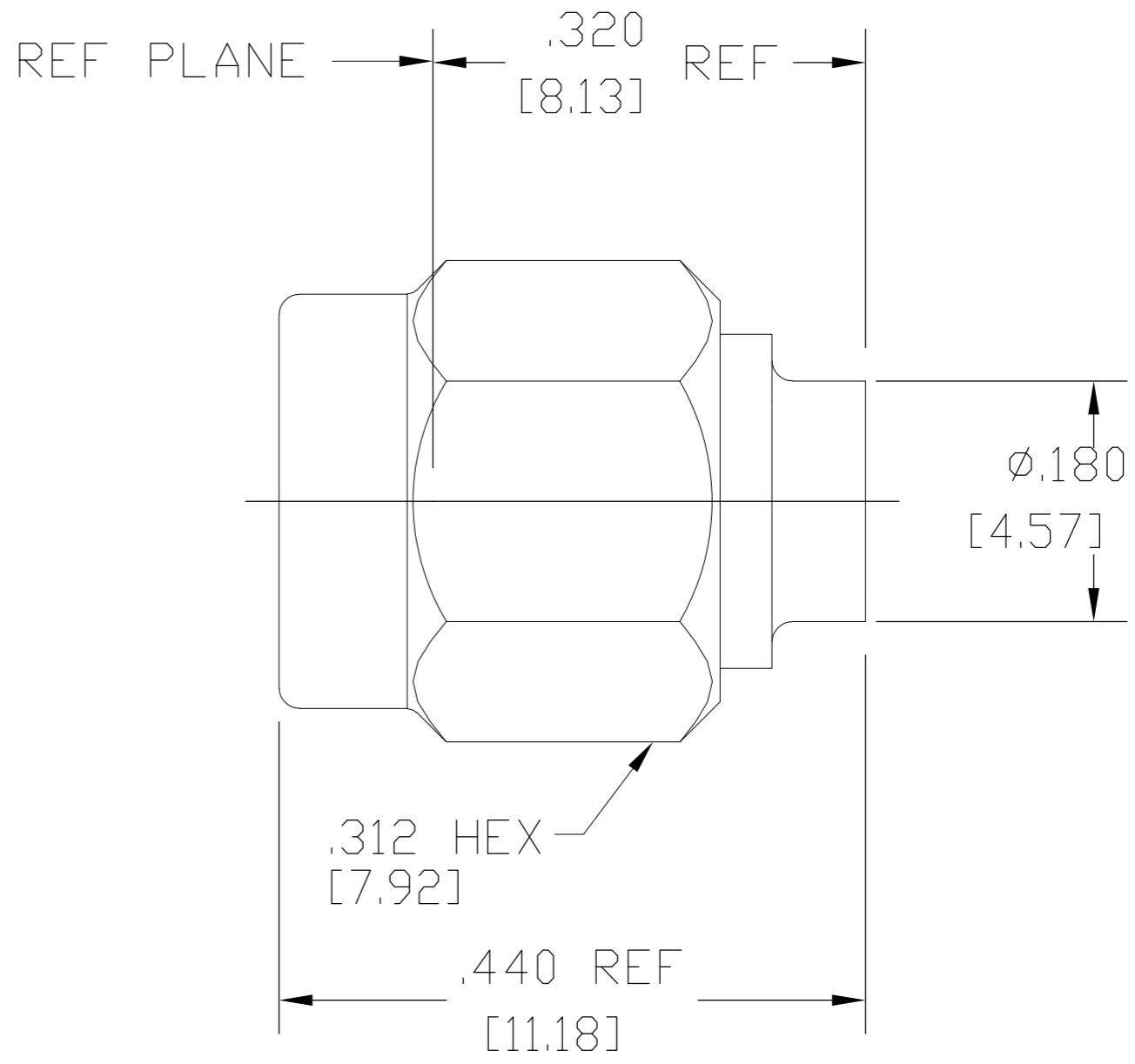


THIS DRAWING IS UNPUBLISHED.		RELEASED FOR PUBLICATION	
© COPYRIGHT - By -		ALL RIGHTS RESERVED.	
HOUSING	STAINLESS STEEL PER ASTM-A484 AND ASTM-A582, TYPE 303	GOLD PLATE PER ASTM B-488 OVER NICKEL PLATE PER AMS-QQ-N-290	
COUPLING NUT	STAINLESS STEEL PER ASTM-A484 AND ASTM-A582, TYPE 303	PASSIVATE PER ASTM-A-380	
DIELECTRIC	TFE FLUOROCARBON PER ASTM-D-1457	N/A	
CENTER CONTACT	BERYLLIUM COPPER PER ASTM B 196, ALLOY C17300, CONDITION H OR BRASS PER ASTM-B-16	GOLD PLATE PER ASTM B-488 OVER COPPER PLATE PER MIL-C-14550	
RETAINING RING	BERYLLIUM COPPER PER ASTM B 194, ALLOY C17200, CONDITION H	N/A	
GASKET	SILICONE RUBBER PER ZZ-R-765	N/A	
COMPONENT	MATERIAL	FINISH	

LOC		DIST		REVISIONS			
-	-	P	LTR	DESCRIPTION	DATE	DWN	APVD
		A		RELEASED PER ECO 12-020172	11-16-12	CT	DW



ELECTRICAL	MECHANICAL	ENVIRONMENTAL
Nominal Impedance (Ohms) 50	Interface Dimensions MIL-STD-348, Fig. 310.1	TEMPERATURE RATING -65°C TO +125°C
Frequency Range (GHz) DC to 18.0	Recommended Mating Torque 7 to 10 in-LBs	Vibration MIL-STD-202, Method 204, Condition D
Volt Rating (VRMS MAX) @ Sea Level 500	Mating Characteristics: Insertion (MAX Lbs) N/A	Shock MIL-STD-202, Method 213, Condition I
VSWR 1.05 + .008f(GHz)	Withdrawal (MIN Oz) N/A	Thermal Shock MIL-STD-202, Method 107, Condition B,
Insertion Loss (dB MAX) .03 √f(GHz)	Force to Engage and Disengage (In/Lbs MAX) 2.0	Moisture Resistance MIL-STD-202, Method 106,
RF Leakage (dB MIN) -(90-f(GHz))	Center Contact Captivation Axial (Lbs) N/A	Corrosion - MIL-STD-202, Method 101, Condition B, 5% salt spray
Corona, 70,000 Ft (VRMS MIN) 375	Cable Retention Axial Force (Lbs) 60	
Dielectric Withstanding Voltage (VRMS MIN) @ Sea Level 1000	Torque (In/Oz) 55	
Contact Resistance (Milliohms MAX) Center Contact 3.0	Weight (Grams) T.B.D.	
Outer Contact 2.0		
Cable to Housing 0.5		
RF High Potential @ Sea Level (VRMS MIN @ 5 MHz) 1000		
I.R.(Megohms MIN) 5,000		

DESIGNED FOR USE WITH .141 DIA S.R. CABLE

CABLE ENTRY DIAMETER MINIMUM

CONTACT .039 [0.99]

HOUSING .144 [3.66]

THIS DRAWING IS A CONTROLLED DOCUMENT.		DWN C.C.THOMAS 11-16-12		
DIMENSIONS: INCHES [mm]		CHK D.WILSON 11-16-12		
TOLERANCES UNLESS OTHERWISE SPECIFIED:		APVD D.WILSON 11-16-12	NAME SMA STRAIGHT CABLE PLUG DIRECT SOLDER ATTACHMENT	
0 PLC ± -	1 PLC ± -	PRODUCT SPEC	SIZE A2	CAGE CODE 00779
2 PLC ± -	3 PLC ± .005 [0.13]	APPLICATION SPEC	DRAWING NO C=1757734	RESTRICTED TO
4 PLC ± -	ANGLES ± 1°	WEIGHT -	SCALE 8:1	SHEET 1 of 1
MATERIAL SEE TABLE	FINISH SEE TABLE	CUSTOMER DRAWING	REV A	

1757734-1

PART NUMBER