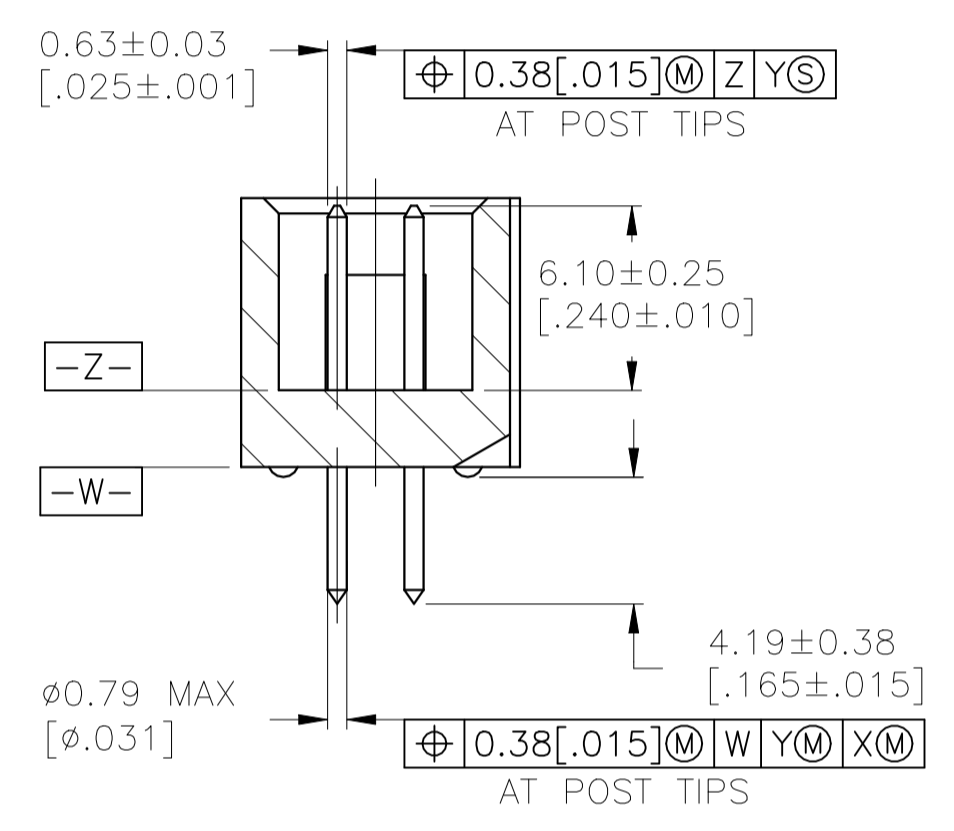
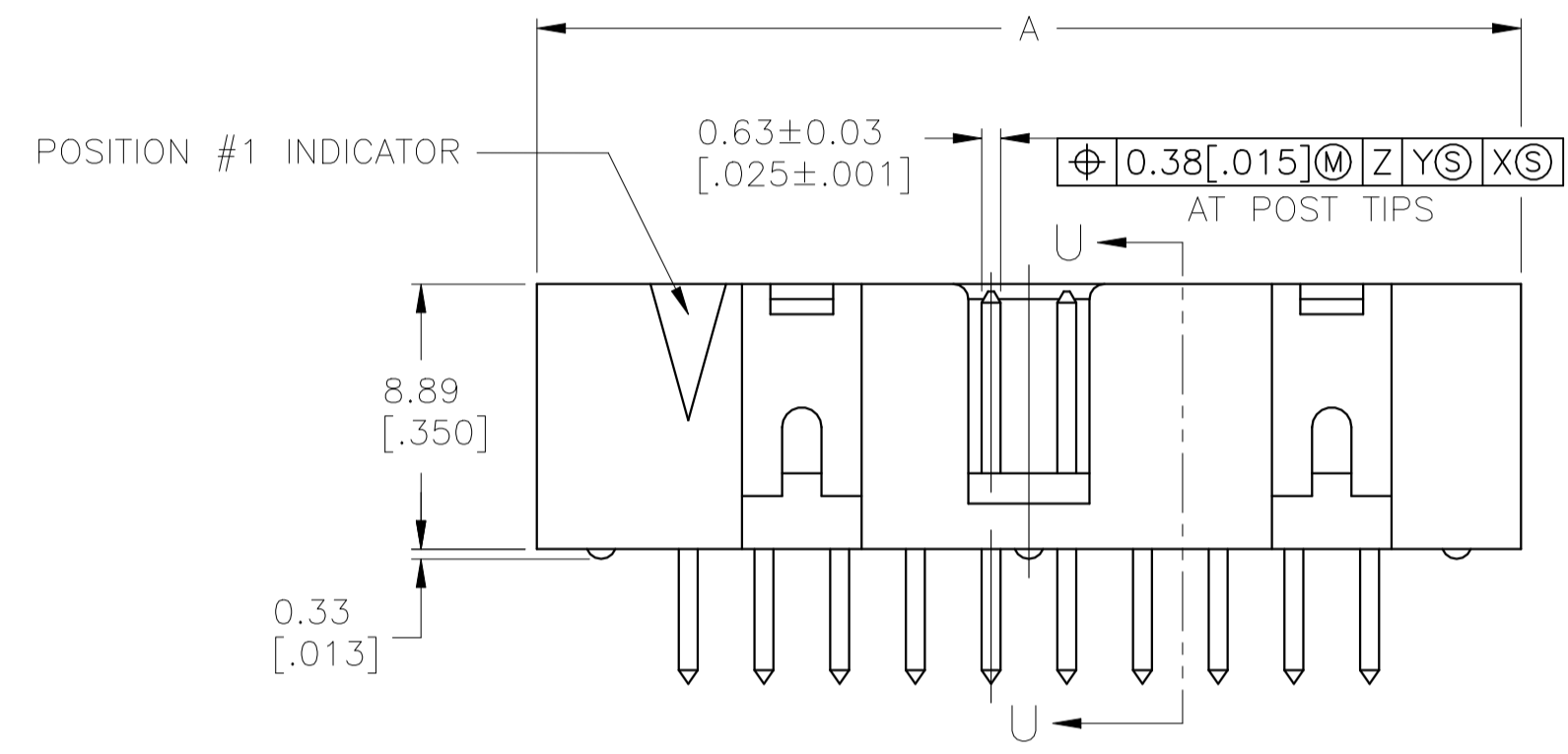
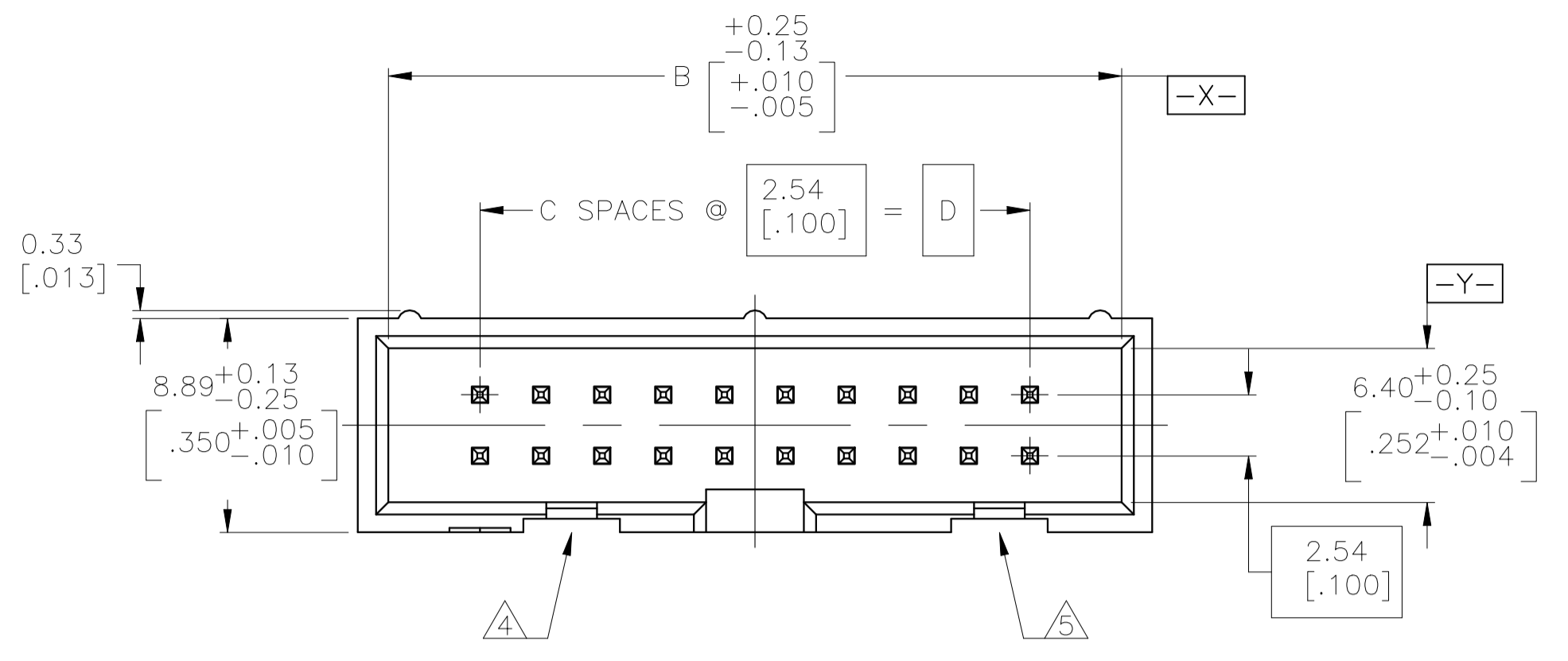
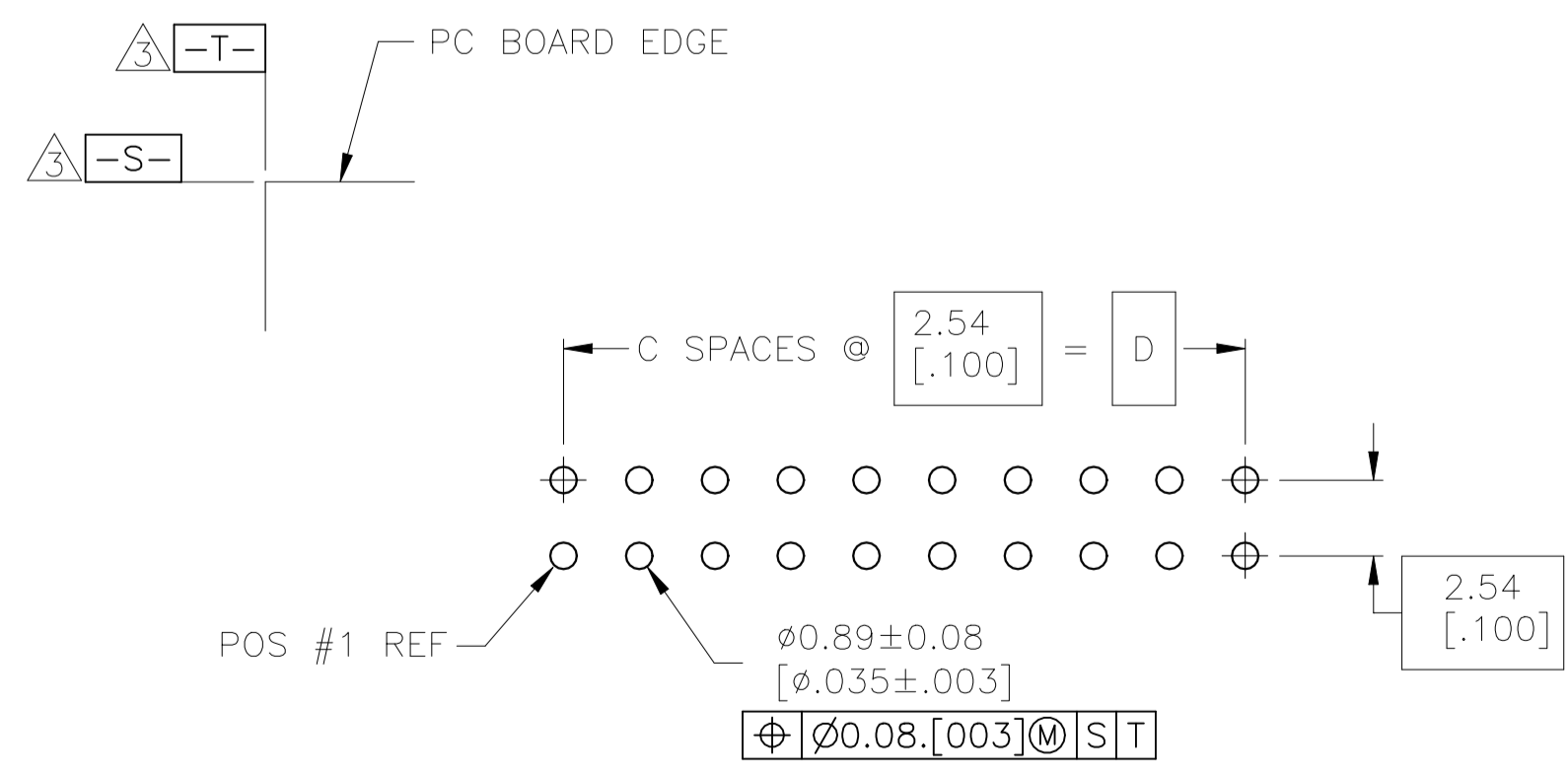


REVISIONS					
REV	DATE	DESCRIPTION	BY	CHK	APP'D
B2	24MAR2023	REVISED PER ECR-22-161539	GC	WH	



SECTION U-U

- △ HOUSING: PBT, UL94V-0, COLOR: (SEE TABLE).
- △ POSTS: PHOSPHOR BRONZE/BRASS
- △ POSTS: 0.00076[.000030] MIN GOLD ON MATING AREA, 0.00254[.000100] MIN TIN ON SOLDER END, ALL OVER 0.00127[.000050] MIN NICKEL ON ENTIRE POST.
- △ DATUMS S & T TO BE ESTABLISHED BY CUSTOMER.
- △ NO KEYING SLOT ON THIS END FOR 6, 10 & 14 POSITION ASSEMBLIES.
- △ NO KEYING SLOT ON THIS END FOR 6 & 10 POSITION ASSEMBLIES.



RECOMMENDED PC BOARD LAYOUT
(VIEWED FROM CONNECTOR SIDE)

HOUSING COLOR	D	C	B	A	NO OF POS	PART NUMBER
OBSOLETE	78.74 [3.100]	31	86.36 [3.400]	88.90 [3.500]	64	3-1761679-7
	73.66 [2.900]	29	81.28 [3.200]	83.82 [3.300]	60	3-1761679-6
	60.96 [2.400]	24	68.58 [2.700]	71.12 [2.800]	50	3-1761679-5
	48.26 [1.900]	19	55.88 [2.200]	58.42 [2.300]	40	3-1761679-3
	43.18 [1.700]	17	50.80 [2.000]	53.34 [2.100]	36	3-1761679-2
	40.64 [1.600]	16	48.26 [1.900]	50.80 [2.000]	34	3-1761679-1
	30.48 [1.200]	12	38.10 [1.500]	40.64 [1.600]	26	2-1761679-9
	27.94 [1.100]	11	35.56 [1.400]	38.10 [1.500]	24	2-1761679-8
	22.86 [0.900]	9	30.48 [1.200]	33.02 [1.300]	20	2-1761679-7
	17.78 [0.700]	7	25.40 [1.000]	27.94 [1.100]	16	2-1761679-6
OBSOLETE	15.24 [0.600]	6	22.86 [0.900]	25.40 [1.000]	14	2-1761679-5
	10.16 [0.400]	4	17.78 [0.700]	20.32 [0.800]	10	2-1761679-3
	5.08 [0.200]	2	12.70 [0.500]	15.24 [0.600]	6	2-1761679-1
BLACK	30.48 [1.200]	12	38.10 [1.500]	40.64 [1.600]	26	1761679-9
	10.16 [0.400]	4	17.78 [0.700]	20.32 [0.800]	10	1761679-3

THIS DRAWING IS A CONTROLLED DOCUMENT.

DIN B. CRISAMORE/DJI 23MAY05
CHK S. BOLASH 23MAY05
APP'D M. WALMSLEY 23MAY05

TE Connectivity

NAME: HEADER ASSEMBLY, VERTICAL, LOW PROFILE, IDC

PRODUCT SPEC: PRODUCT SPEC

APPLICATION SPEC: APPLICATION SPEC

SIZE: A1 CAGE CODE: 00779 DRAWING NO: 1761679

WEIGHT: 0.000000

CUSTOMER DRAWING

SCALE: 4:1 SHEET 1 OF 1 REV B2