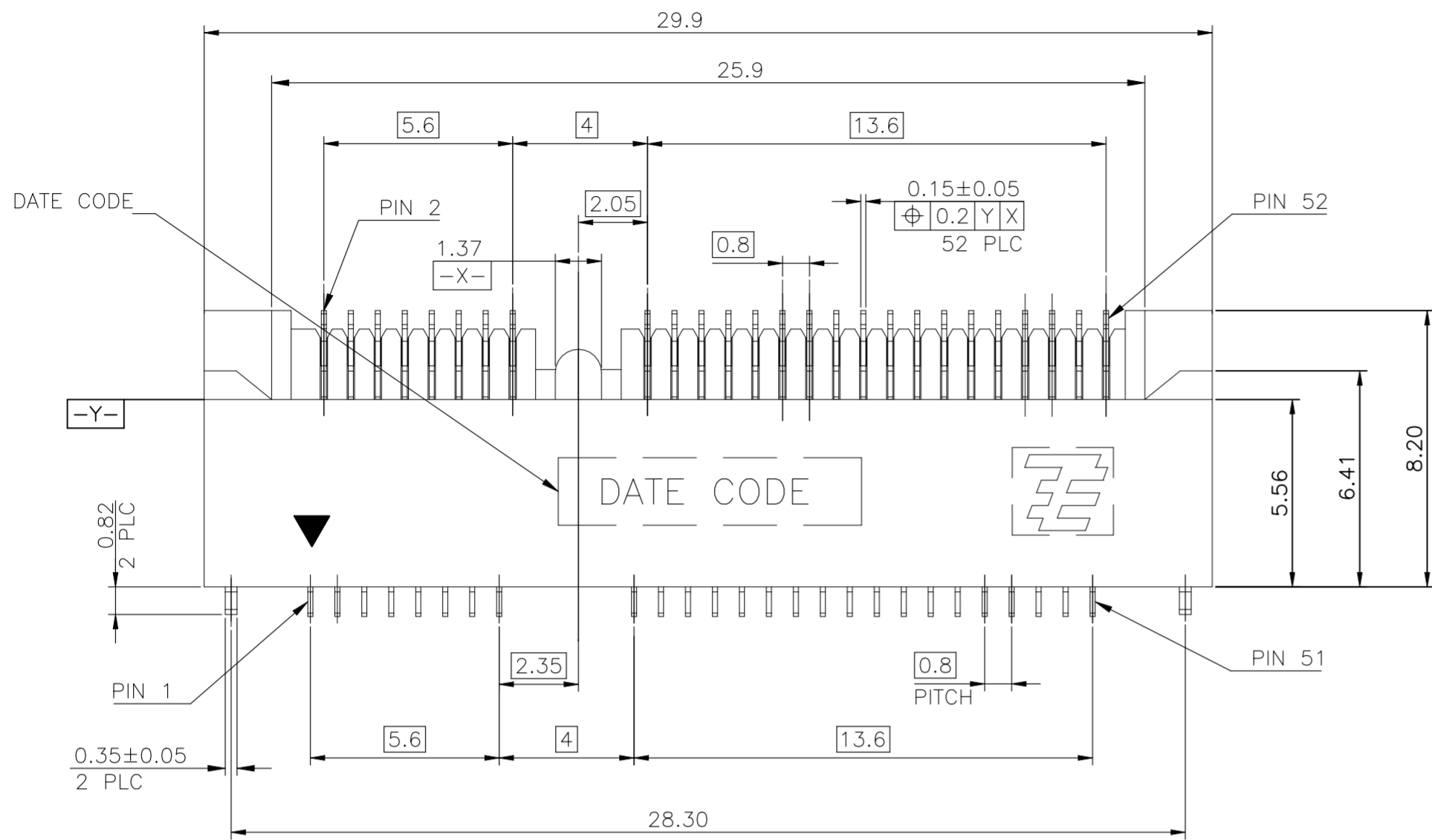


THIS DRAWING IS UNPUBLISHED. RELEASED FOR PUBLICATION  
 © COPYRIGHT 2011 BY TE CONNECTIVITY. ALL RIGHTS RESERVED.

REVISIONS					
P	LTR	DESCRIPTION	DATE	DWN	APVD
J1		REVISED PER ECR-23-183121	30AUG2023	SSM	WH

NOTES:

- MATERIAL:  
HOUSING: LCP WITH 30% GF, UL94 V-0, BLACK COLOR.  
CONTACTS: PHOSPHOR BRONZE.  
PEGS: BRASS.
- FINISH:  
CONTACTS: (SEE TABLE) GOLD PLATED ON CONTACT AREA, GOLD FLASH ON SOLDER AREA, WITH ENTIRE CONTACT UNDERPLATED 1.27µm [50µ"] MIN. NICKEL.  
PEGS: 3.048µm [120µ"] MIN. MATTE-TIN OVER 1.27µm [50µ"] MIN. NICKEL.
- REFLOW SOLDER CAPABLE TO 260° PER TEC-109-201, CONDITION B.



PCI-E MINI CARD CONNECTOR SIGNAL ASSIGNMENTS

PIN#	NAME	PIN#	NAME
51	Reserved	52	+3.3Vaux
49	Reserved	50	GND
47	Reserved	48	+1.5V
45	Reserved	46	LED_WPAN#
43	GND	44	LED_WLAN#
41	+3.3Vaux	42	LED_WWAN#
39	+3.3Vaux	40	GND
37	GND	38	USB_D+
35	GND	36	USB_D-
33	PETp0	34	GND
31	PETn0	32	SMB_DATA
29	GND	30	SMB_CLK
27	GND	28	+1.5V
25	PERp0	26	GND
23	PERn0	24	+3.3Vaux
21	GND	22	PERST#
19	Reserved* (UIM_C4)	20	W_DISABLE#
17	Reserved* (UIM_C8)	18	GND

MECHANICAL KEY

PIN#	NAME	PIN#	NAME
15	GND	16	UIM_VPP
13	REFCLK+	14	UIM_RESET
11	REFCLK-	12	UIM_CLK
9	GND	10	UIM_DATA
7	CLKREQ#	8	UIM_PWR
5	COEX2	6	1.5V
3	COEX1	4	GND
1	WAKE#	2	3.3Vaux

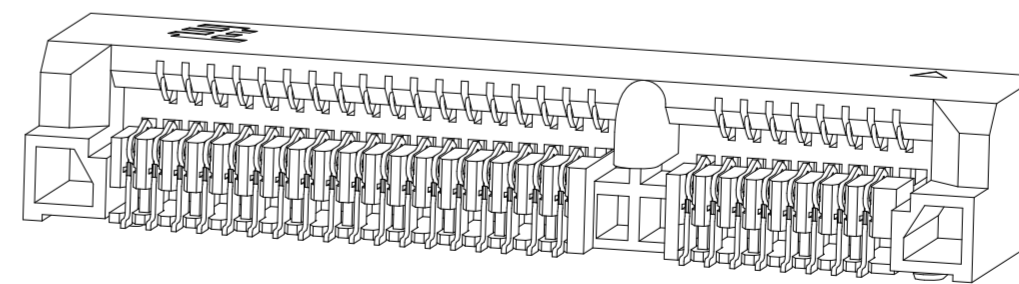
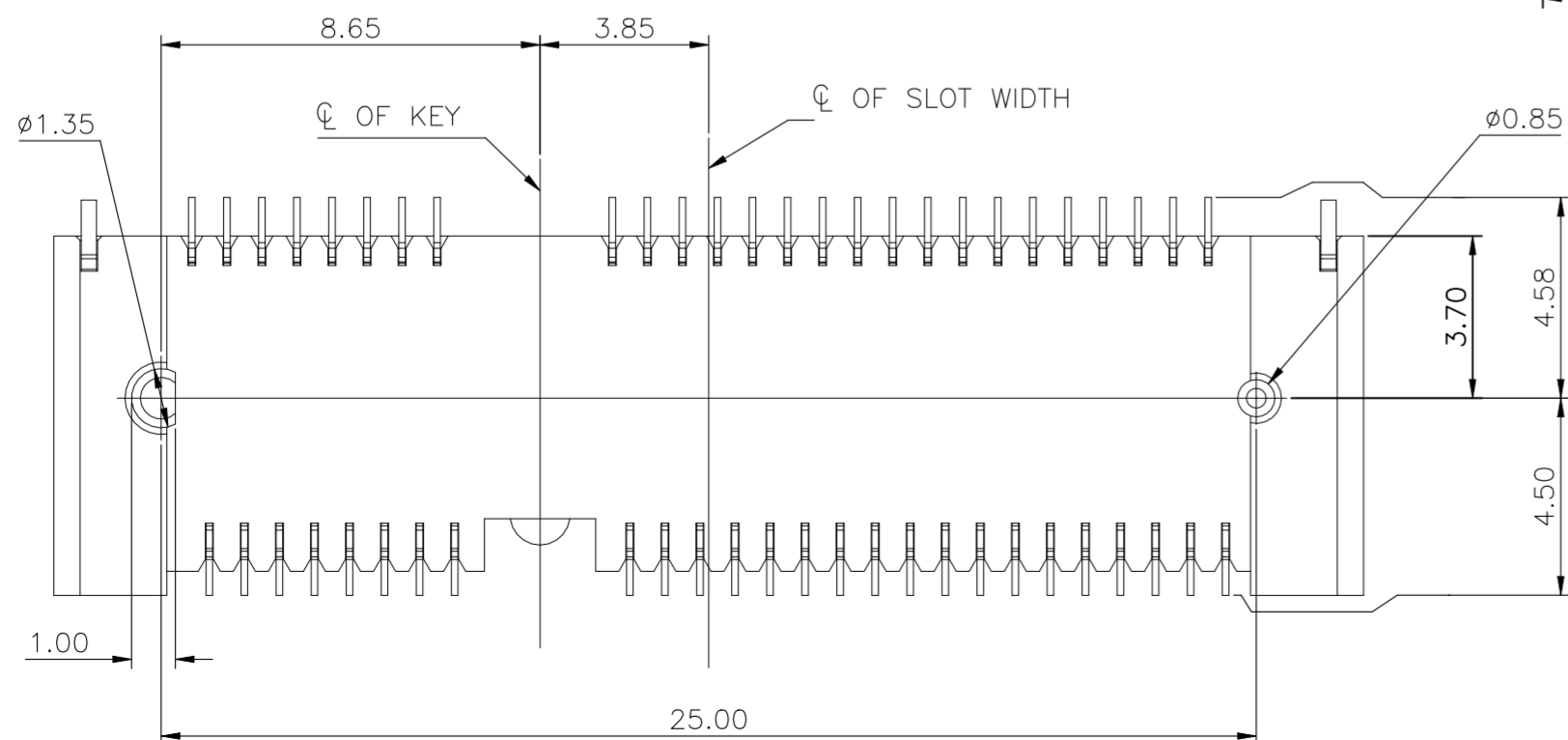
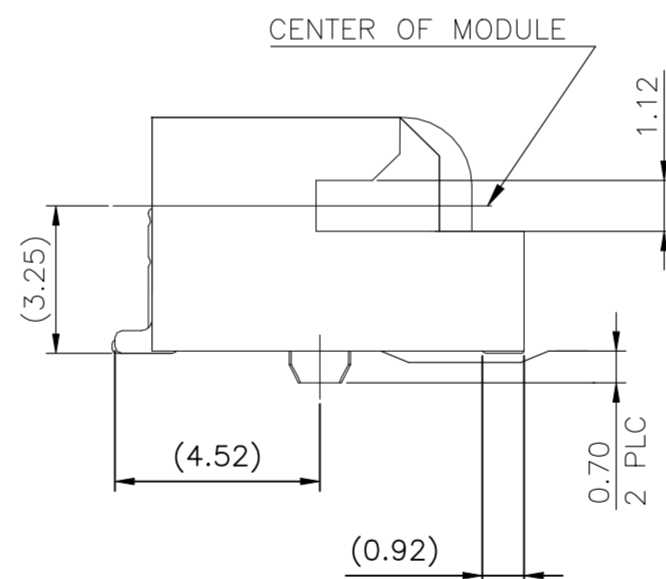
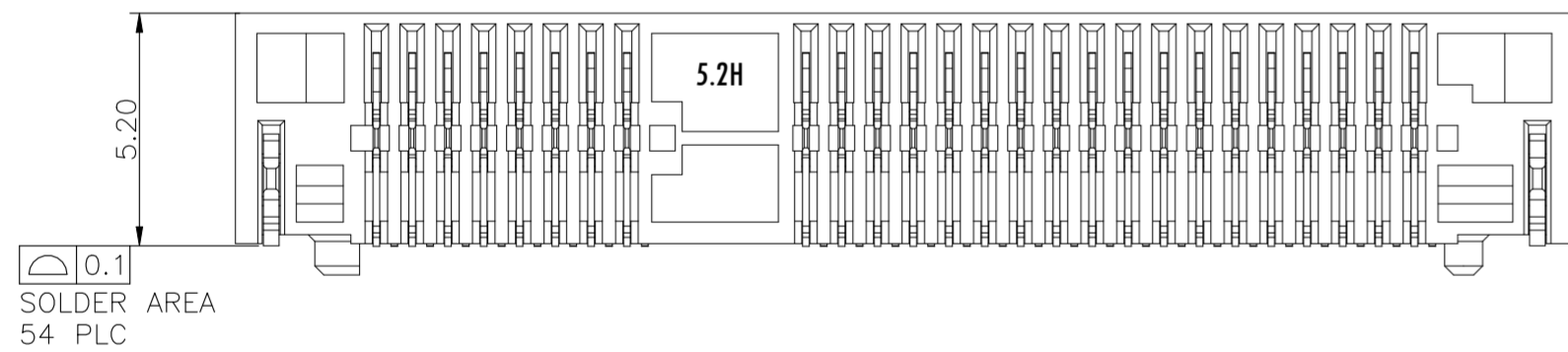
mSATA CONNECTOR SIGNAL ASSIGNMENTS

PIN#	NAME	PIN#	NAME
51	Presence Detection	52	+3.3V
49	DA/DSS	50	GND
47	Vendor	48	+1.5V
45	Vendor	46	Reserved
43	No Connect	44	Reserved
41	+3.3V	42	Reserved
39	+3.3V	40	GND
37	GND	38	Reserved
35	GND	36	Reserved
33	+A	34	GND
31	-A	32	Two Wire Interface
29	GND	30	Two Wire Interface
27	GND	28	+1.5V
25	-B	26	GND
23	+B	24	+3.3V
21	GND	22	Reserved
19	Reserved	20	Reserved
17	Reserved	18	GND

MECHANICAL KEY

PIN#	NAME	PIN#	NAME
15	GND	16	Reserved
13	Reserved	14	Reserved
11	Reserved	12	Reserved
9	GND	10	Reserved
7	Reserved	8	Reserved
5	Reserved	6	+1.5V
3	Reserved	4	GND
1	Reserved	2	+3.3V

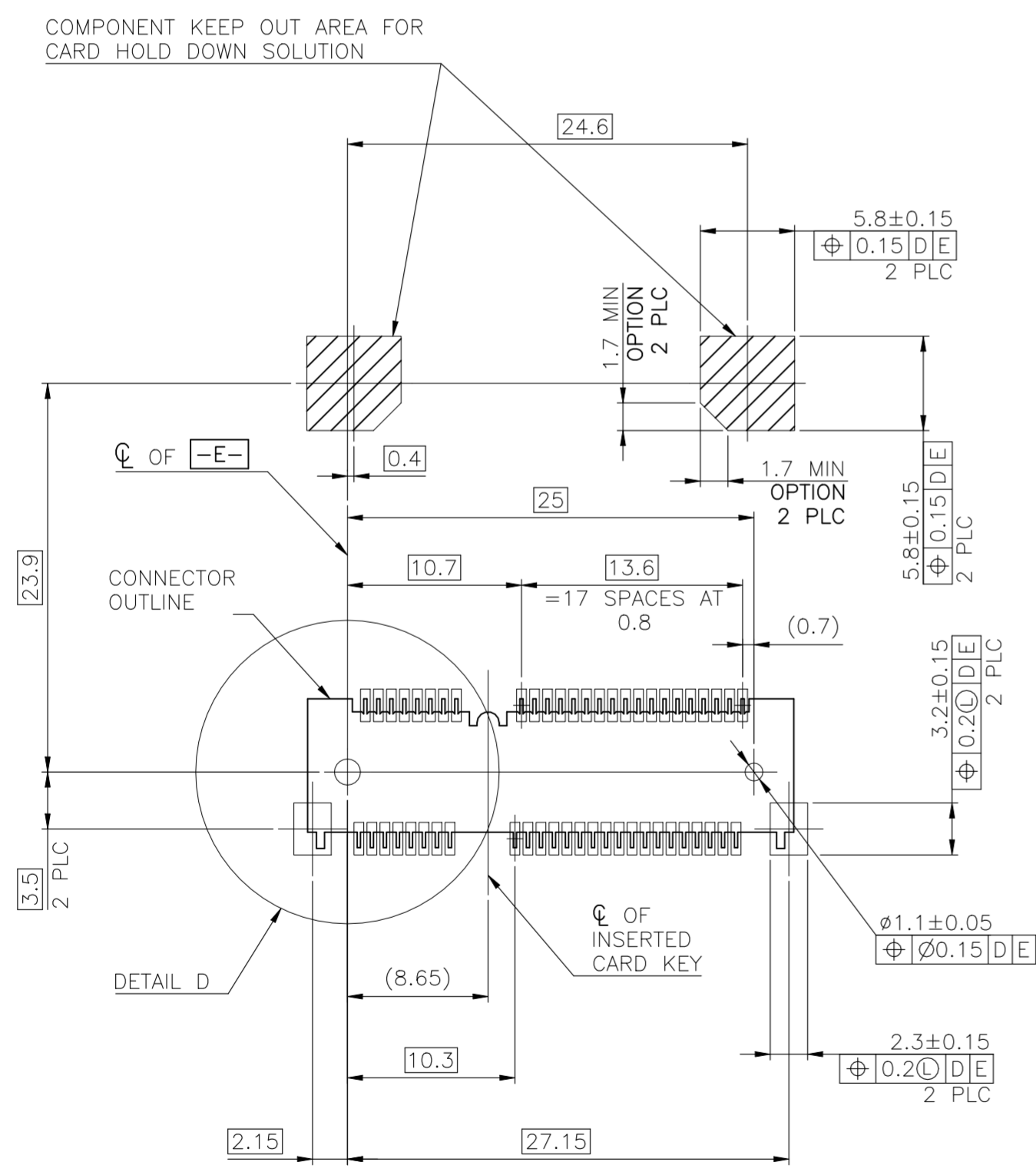
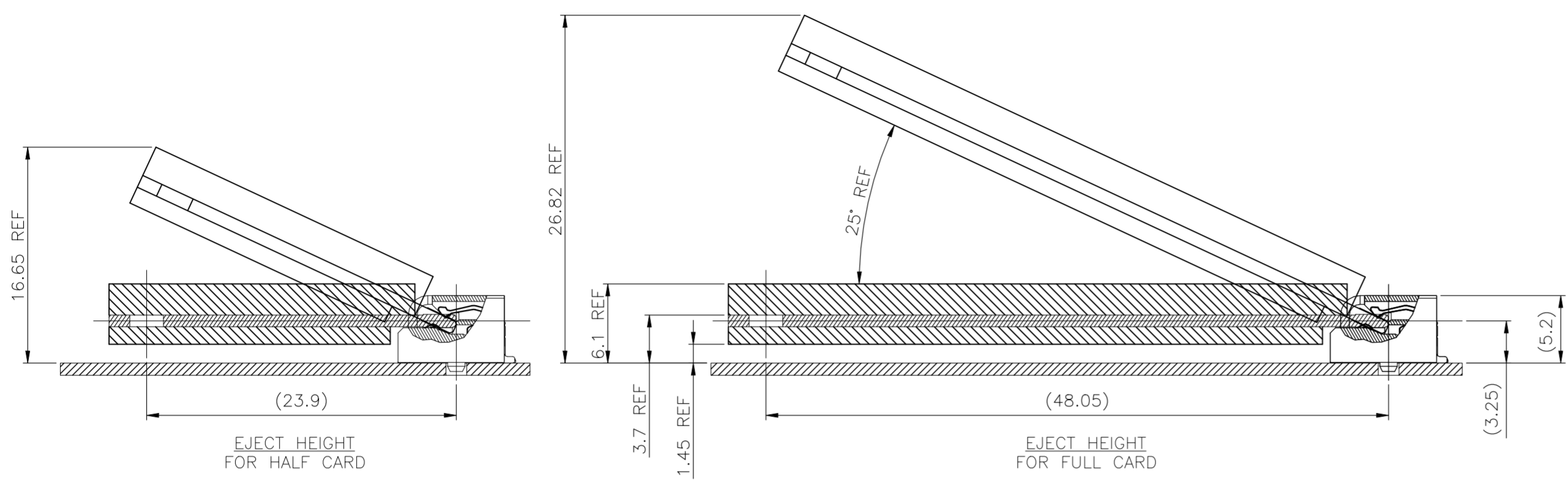
\* Reserved for future UIM interface (if needed)



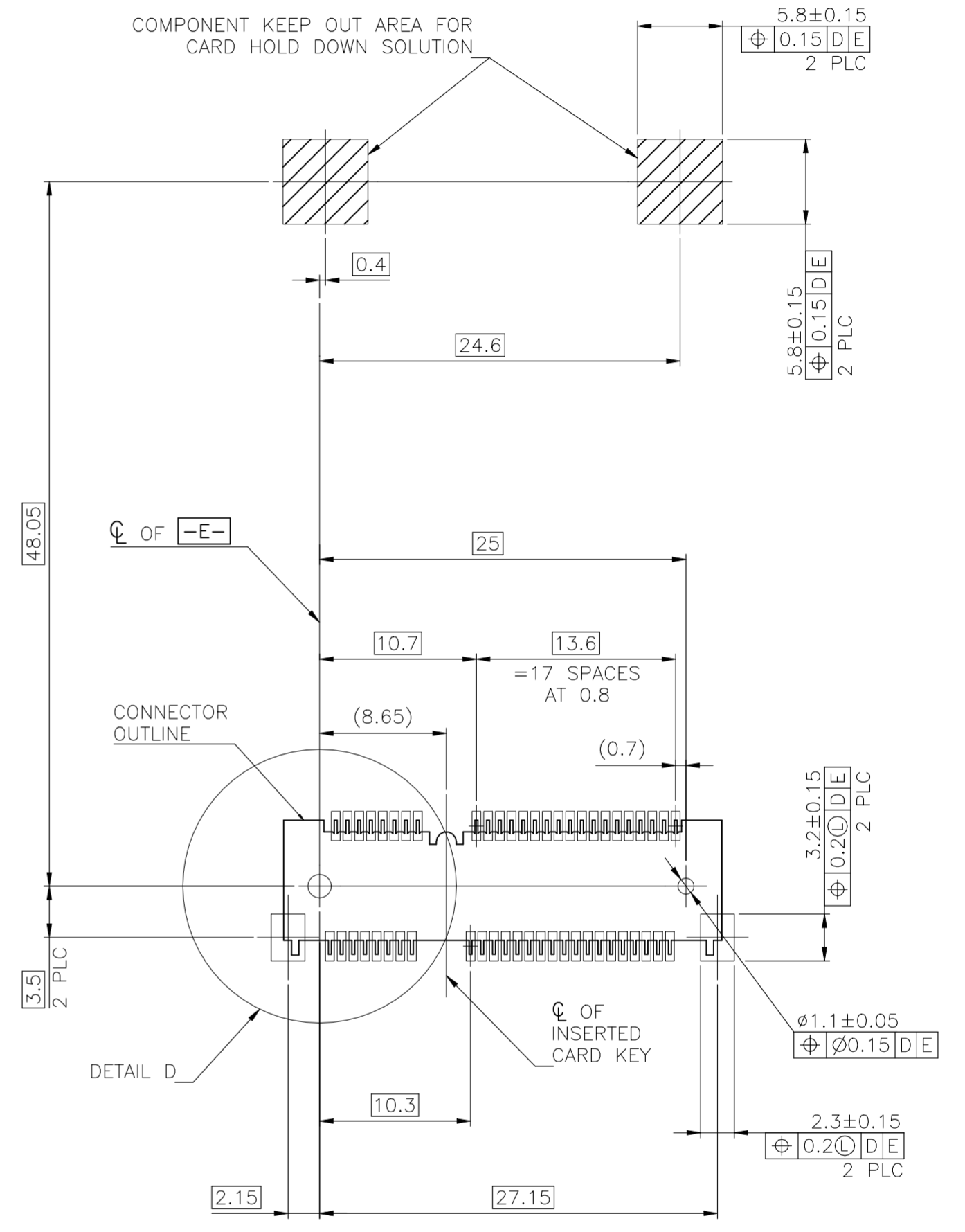
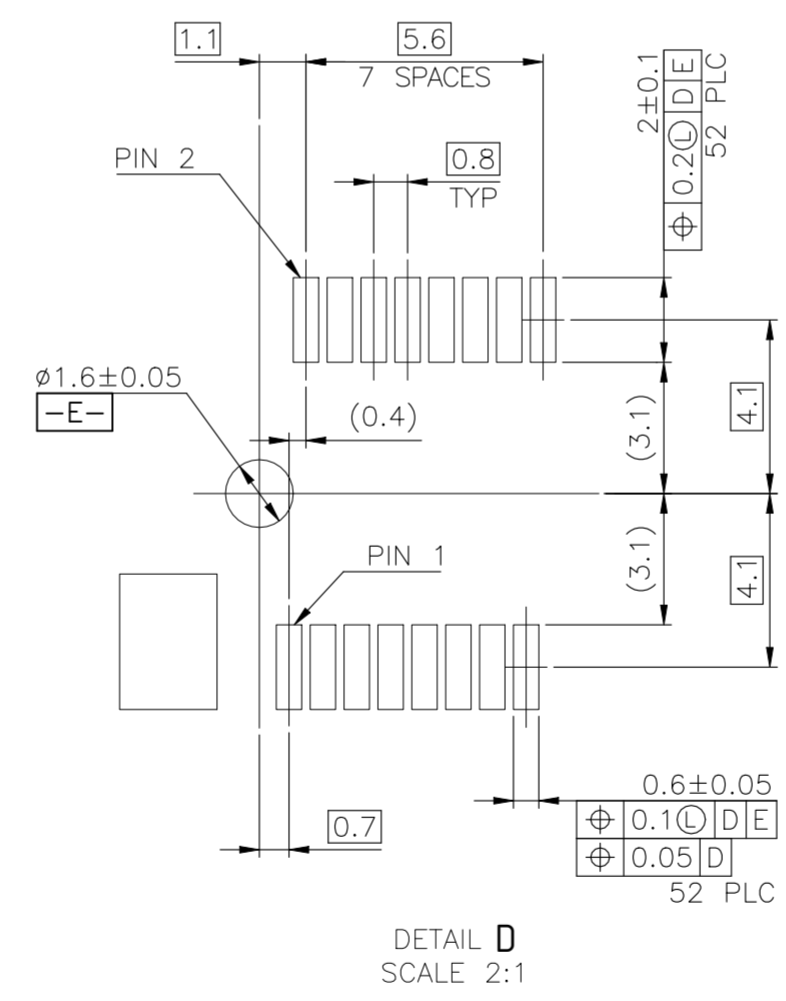
OBsolete	TYPE	FINISH	PART NUMBER
OBsolete	TYPE II	GOLD FLASH 0.254µm [10µ"]	1-1775862-2
OBsolete	TYPE I	GOLD FLASH 0.127µm [5µ"]	1-1775862-1
OBsolete	TYPE I	GOLD FLASH 0.254µm [10µ"]	1775862-2
OBsolete	TYPE I	GOLD FLASH 0.254µm [10µ"]	1775862-1

THIS DRAWING IS A CONTROLLED DOCUMENT.		DWN A. WU 02APR2009	TE Connectivity	
DIMENSIONS: mm		CHK S. CHIEN 02APR2009	2 IN 1 mSATA & PCI EXPRESS MINI CARD CONNECTOR, 5.2 MM HEIGHT	
TOLERANCES UNLESS OTHERWISE SPECIFIED: 0 PLC ± - 1 PLC ± 0.3 2 PLC ± 0.2 3 PLC ± - 4 PLC ± - ANGLES ± 3°		APVD W. KODAMA 02APR2009	SIZE A2	
MATERIAL SEE NOTE		FINISH SEE NOTE	CAGE CODE 00779	
		PRODUCT SPEC 108-99102	DRAWING NO C=1775862	
		APPLICATION SPEC -	RESTRICTED TO -	
		WEIGHT 1.54 GRAMS	SCALE -	
		CUSTOMER DRAWING	SHEET 1 of 5	
			REV J1	

REVISIONS					
P	LTR	DESCRIPTION	DATE	DWN	APVD
-	-	SEE SHEET 1	-	-	-



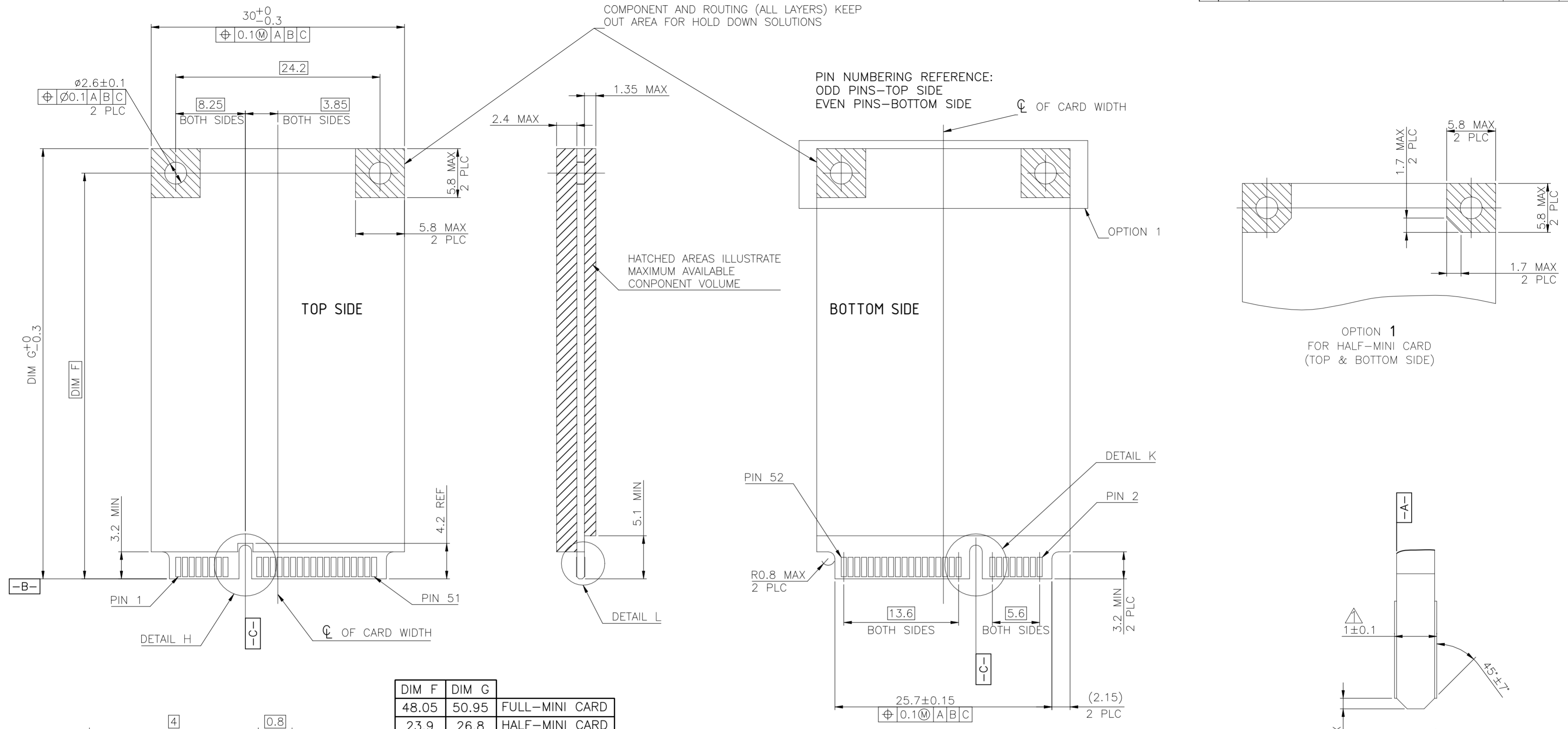
-D- IS THE TOP SURFACE OF PCB.  
 RECOMMENDED P.C. BOARD PATTERN LAYOUT FOR HALF CARD CONNECTOR (TOP VIEW)



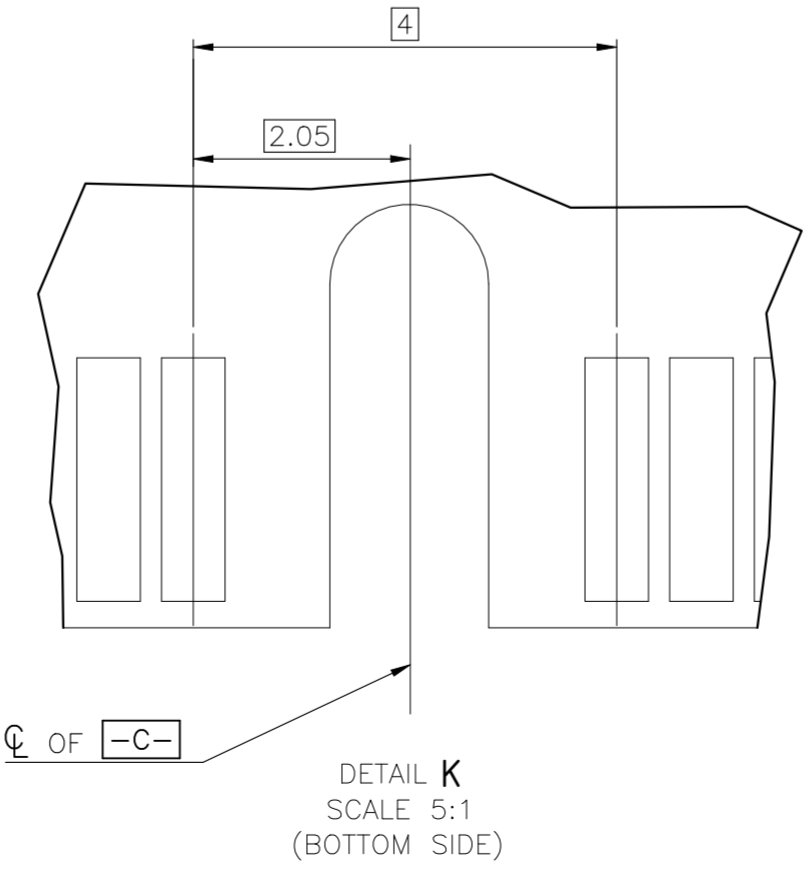
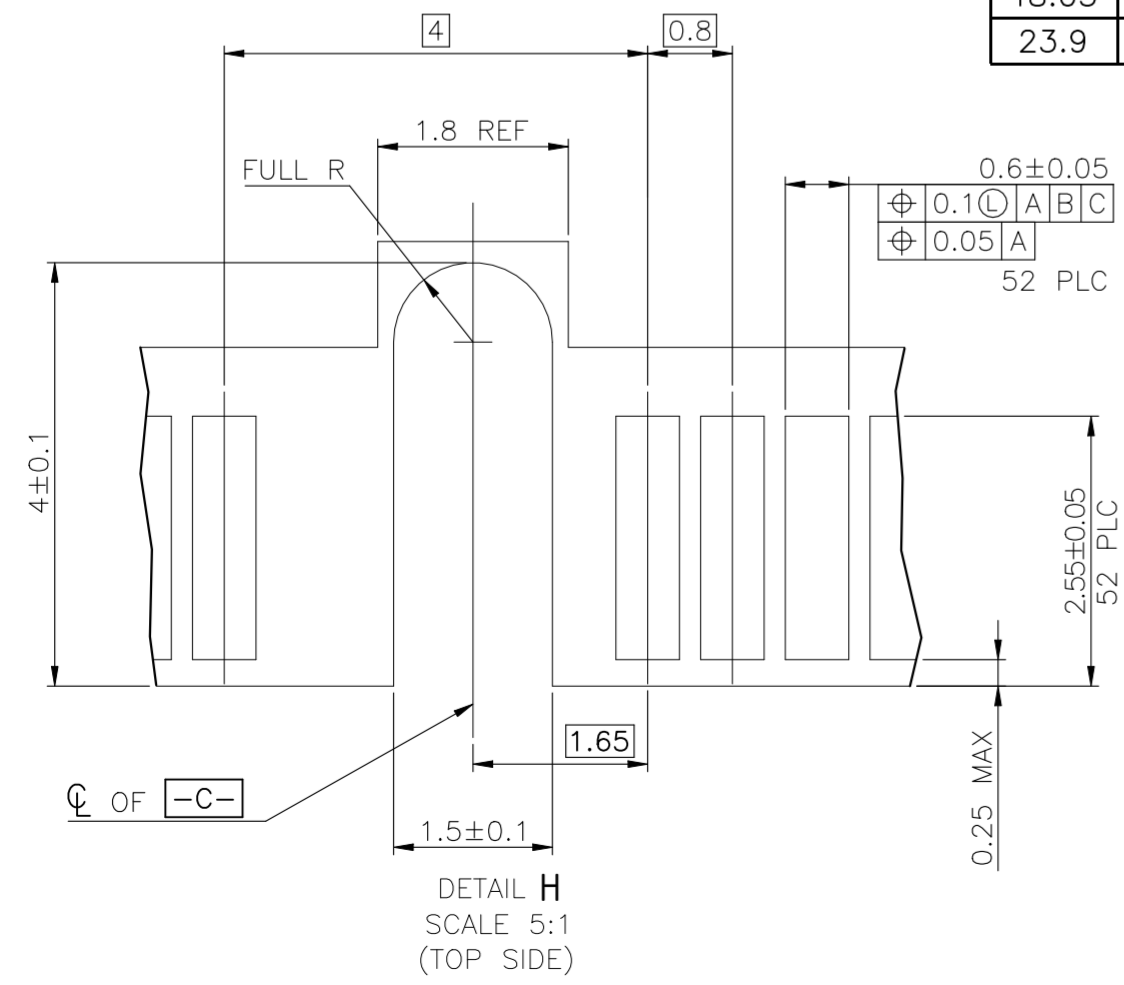
-D- IS THE TOP SURFACE OF PCB.  
 RECOMMENDED P.C. BOARD PATTERN LAYOUT FOR FULL CARD CONNECTOR (TOP VIEW)

THIS DRAWING IS A CONTROLLED DOCUMENT.		DWN	02JUN2016		TE Connectivity
DIMENSIONS: mm		CHK			
TOLERANCES UNLESS OTHERWISE SPECIFIED:		APVD			NAME
0 PLC	± -	PRODUCT SPEC			2 IN 1 mSATA & PCI EXPRESS MINI CARD CONNECTOR, 5.2 MM HEIGHT
1 PLC	± -	APPLICATION SPEC			SIZE
2 PLC	± -				CAGE CODE
3 PLC	± -				DRAWING NO
4 PLC	± -				RESTRICTED TO
ANGLES	± -	WEIGHT			A2 00779 C=1775862
MATERIAL	FINISH	CUSTOMER DRAWING	SCALE	SHEET	2 OF 5
				REV	J1

REVISIONS					
P	LTR	DESCRIPTION	DATE	DWN	APVD
-	-	SEE SHEET 1	-	-	-



DIM F	DIM G	
48.05	50.95	FULL-MINI CARD
23.9	26.8	HALF-MINI CARD



- NOTES:
- CARD THICKNESS APPLIES ACROSS TABS AND INCLUDES PLATING AND/OR METALLIZATION.
  - EDGE BEVEL MUST BE PRESENT AND FREE OF CUTTING BURRS FROM PCB AND CONTACT MATERIALS.

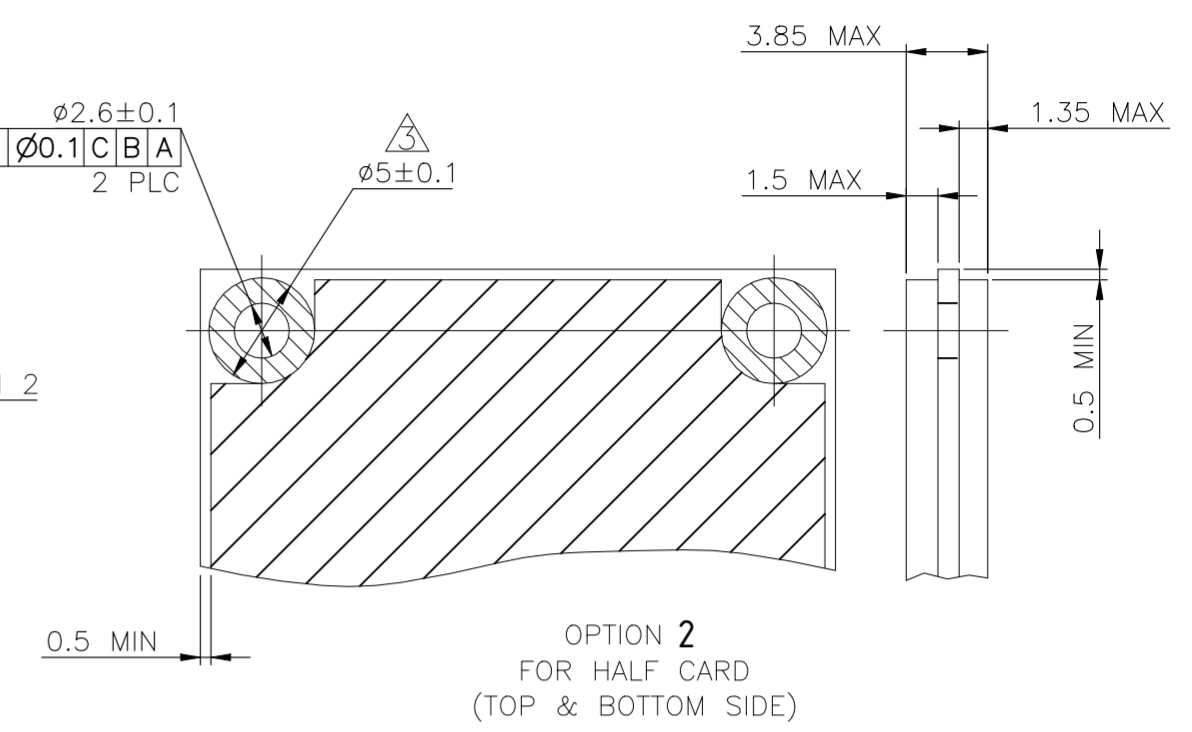
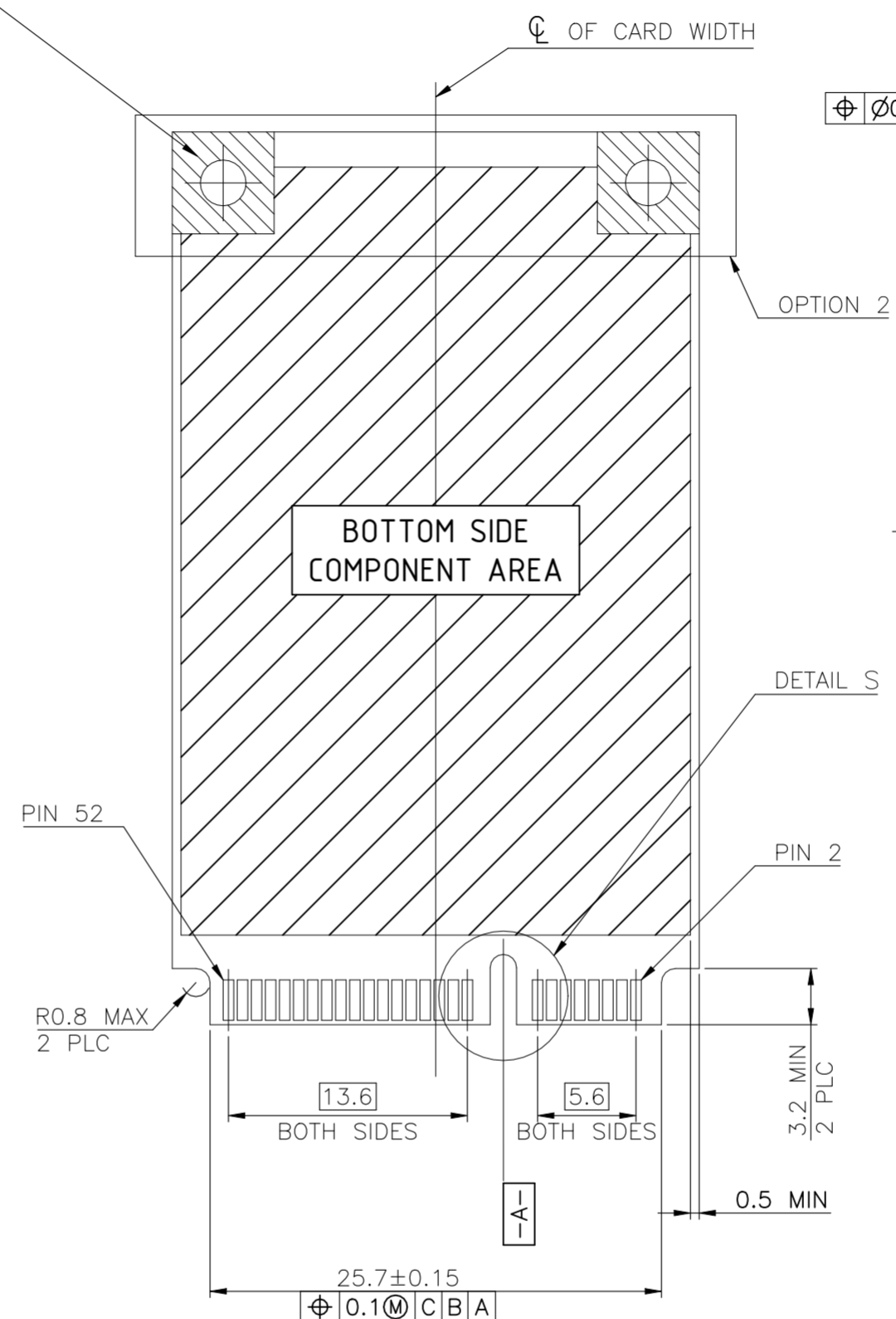
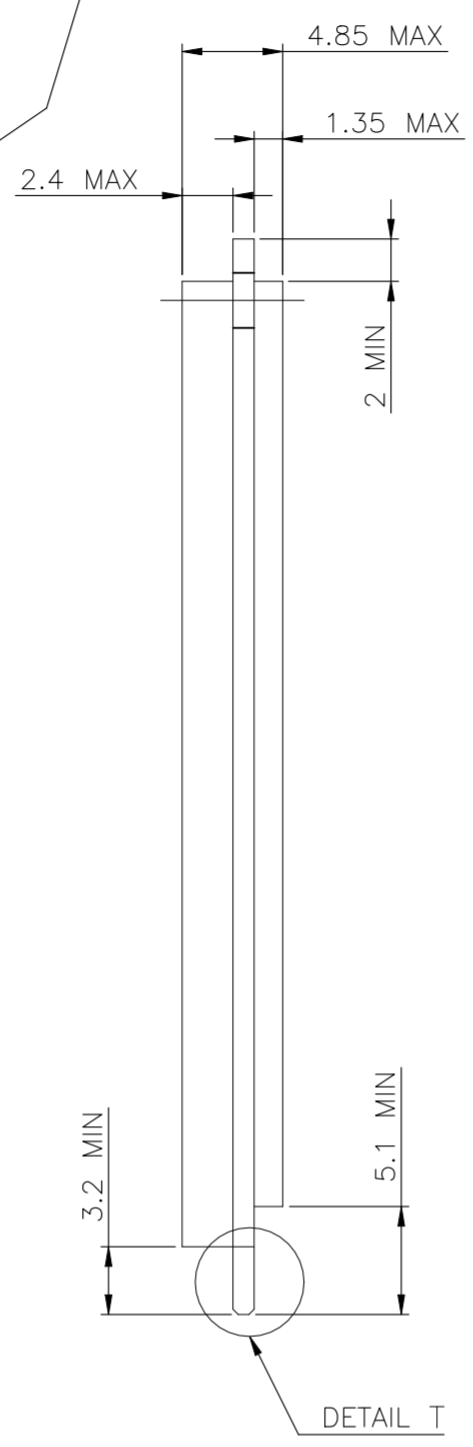
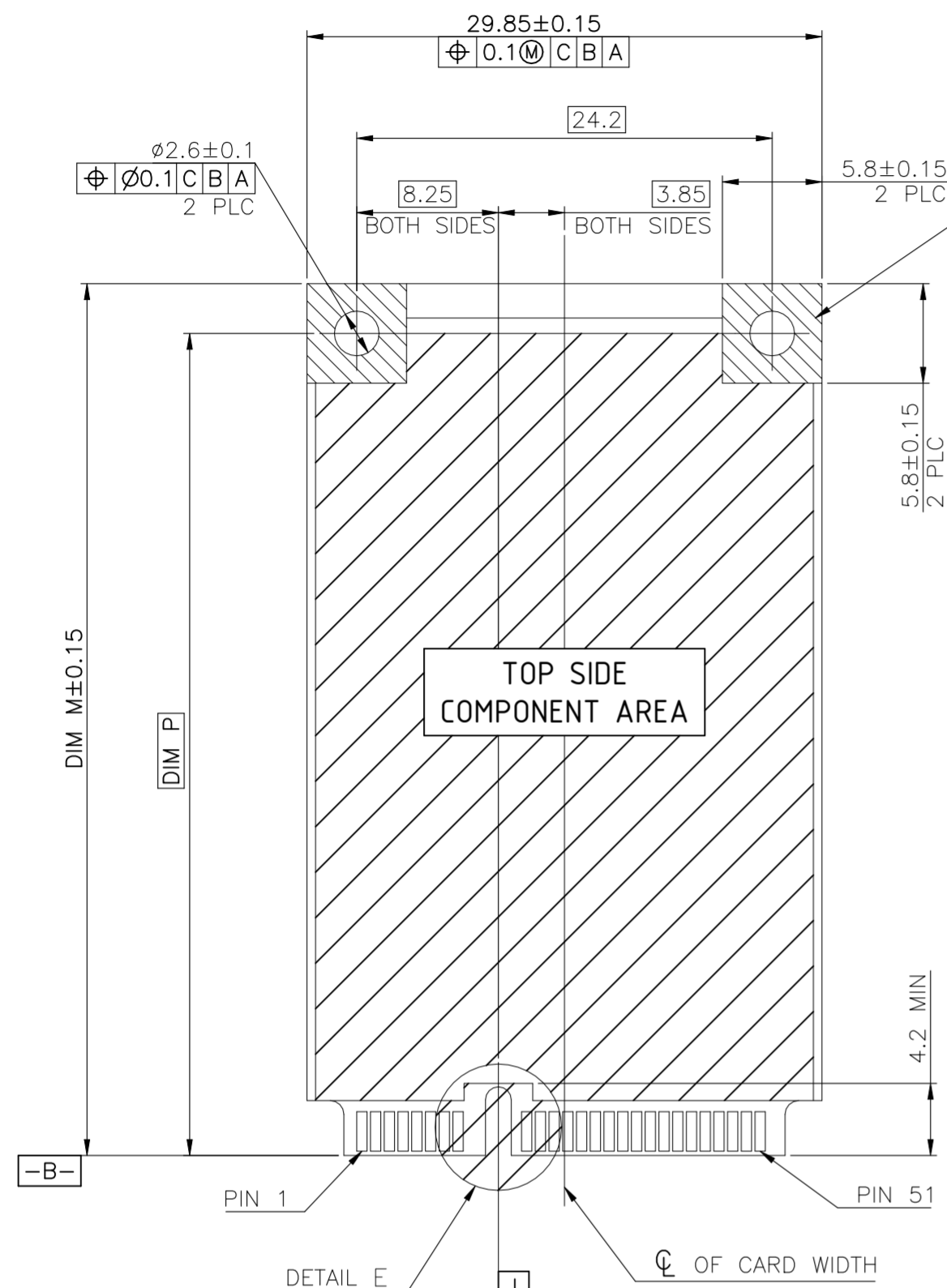
FOR PCI EXPRESS MINI CARD

THIS DRAWING IS A CONTROLLED DOCUMENT.		DWN	02JUN2016		
DIMENSIONS: mm		CHK	-		
TOLERANCES UNLESS OTHERWISE SPECIFIED:		APVD	-	NAME	
0 PLC	$\pm$ -	PRODUCT SPEC		2 IN 1 mSATA & PCI EXPRESS MINI CARD CONNECTOR, 5.2 MM HEIGHT	
1 PLC	$\pm$ -	APPLICATION SPEC		SIZE	A2
2 PLC	$\pm$ -	WEIGHT	-	CAGE CODE	00779
3 PLC	$\pm$ -	MATERIAL		DRAWING NO	C=1775862
4 PLC	$\pm$ -	FINISH		RESTRICTED TO	-
ANGLES	$\pm$ -	CUSTOMER DRAWING		SCALE	-
		SHEET		3	OF 5
		REV		J1	

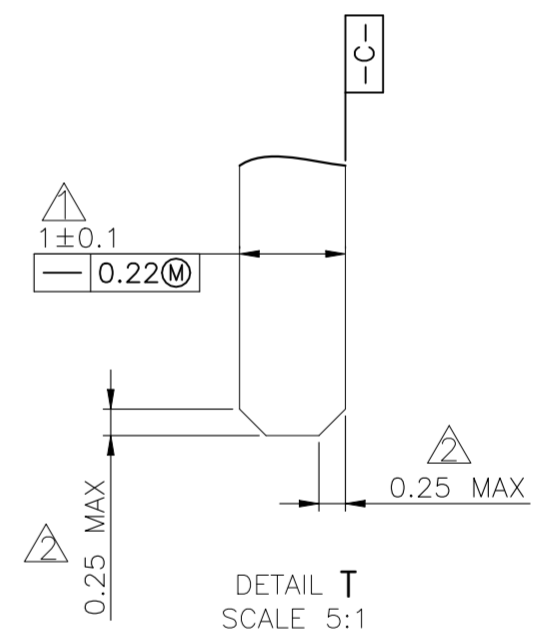
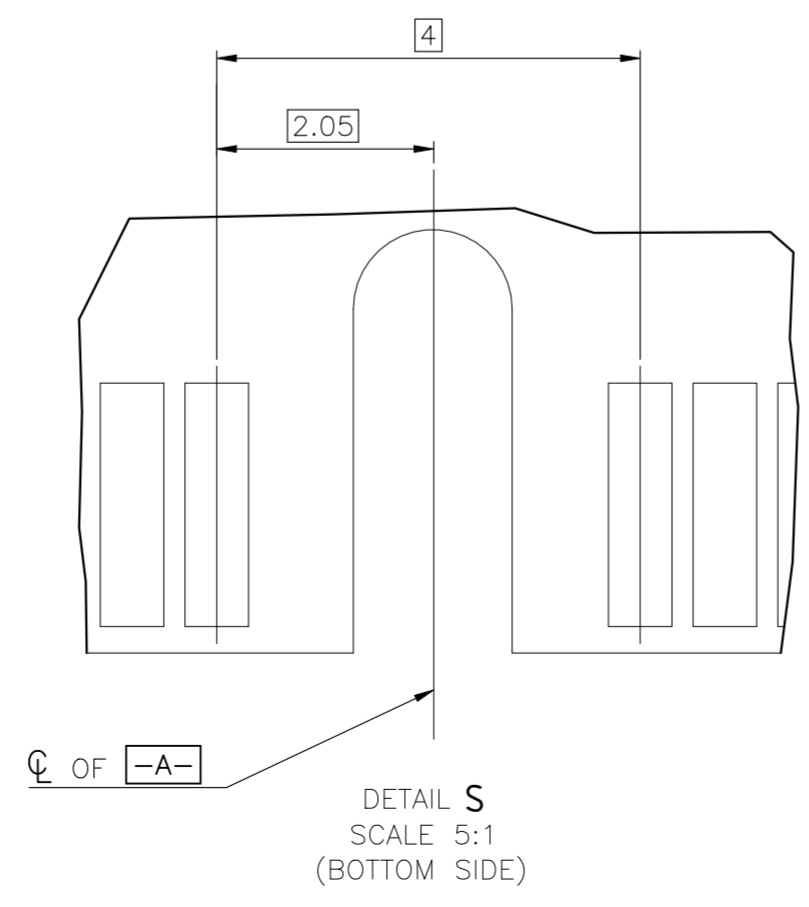
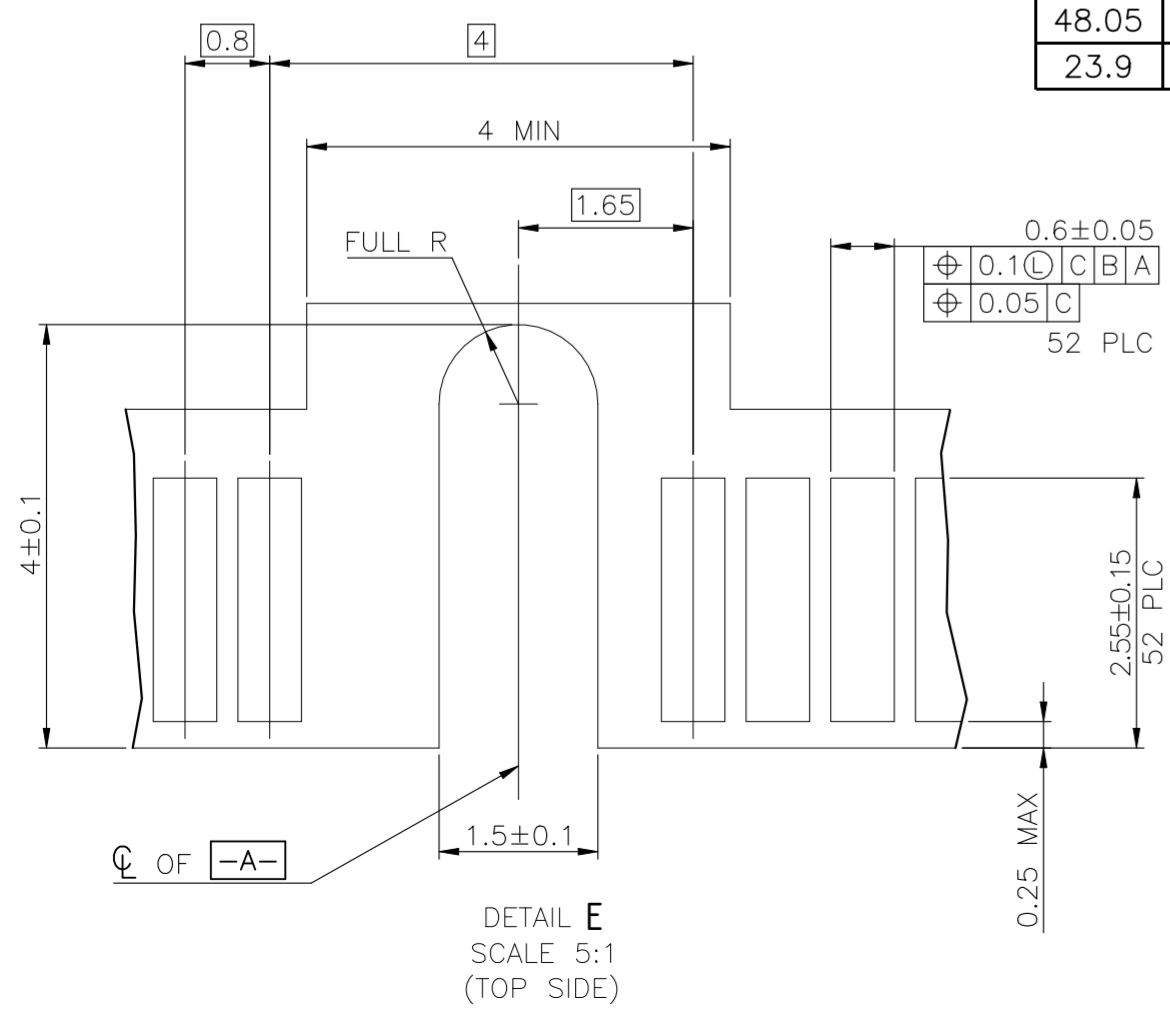
THIS DRAWING IS UNPUBLISHED. RELEASED FOR PUBLICATION  
 © COPYRIGHT 2011 BY TE CONNECTIVITY. ALL RIGHTS RESERVED.

REVISIONS					
P	LTR	DESCRIPTION	DATE	DWN	APVD
-	-	SEE SHEET 1	-	-	-

COMPONENT AND ROUTING (ALL LAYERS) KEEP OUT AREA FOR HOLD DOWN SOLUTIONS



DIM P	DIM M	
48.05	50.8	FULL CARD
23.9	26.8	HALF CARD



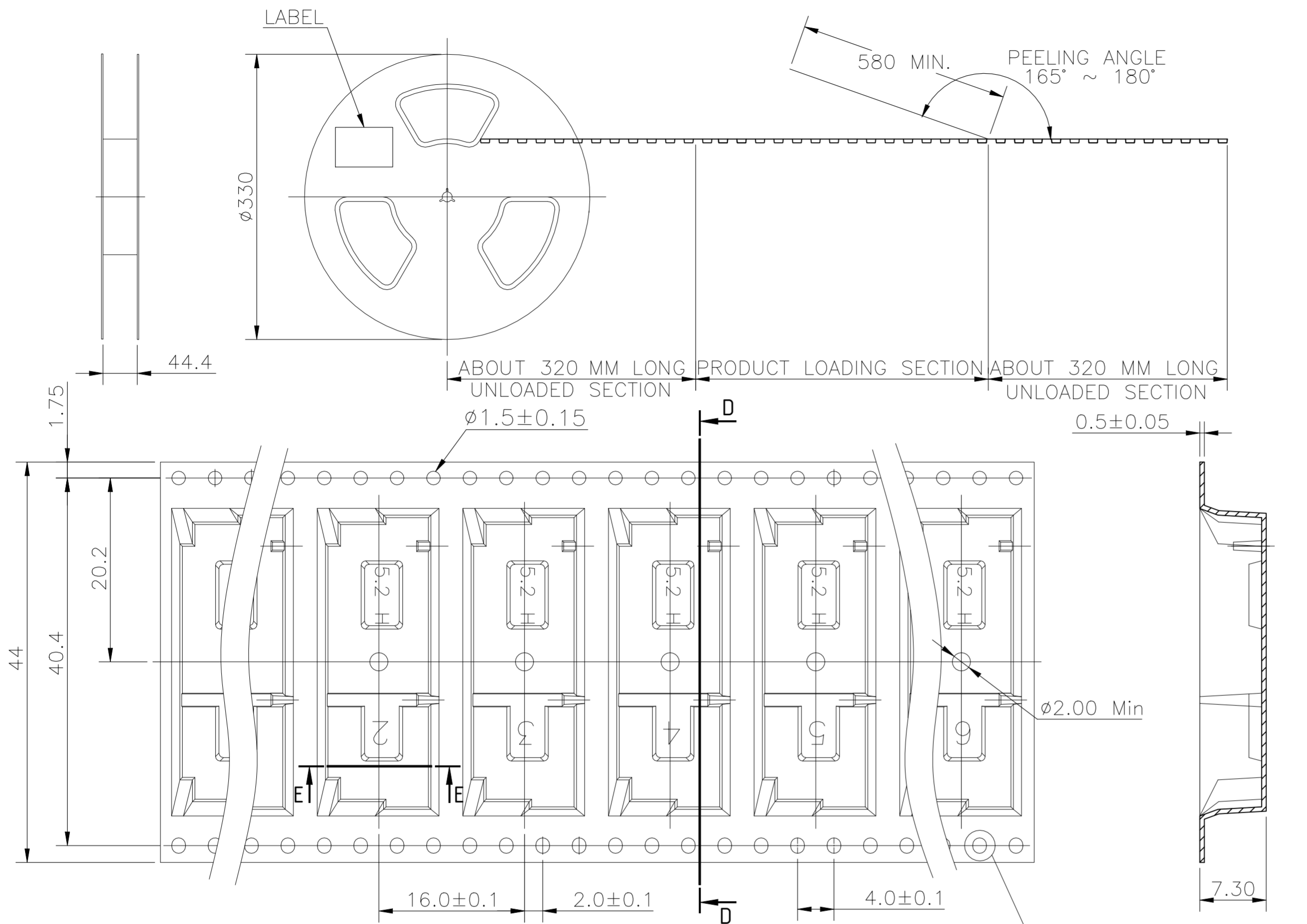
- NOTES:
- CARD THICKNESS APPLIES ACROSS TABS AND INCLUDES PLATING AND/OR METALLIZATION.
  - EDGE BEVEL MUST BE PRESENT AND FREE OF CUTTING BURRS FROM PCB AND CONTACT MATERIALS.
  - COMPONENT AND ROUTING (TOP/BOTTOM LAYER) KEEP OUT AREA FOR HOLD DOWN SOLUTIONS.

FOR mSATA

THIS DRAWING IS A CONTROLLED DOCUMENT.		DWN	02JUN2016	<b>TE</b> TE Connectivity	
DIMENSIONS: mm		CHK	-		
TOLERANCES UNLESS OTHERWISE SPECIFIED:		APVD	-	NAME	
0 PLC	± -	PRODUCT SPEC		2 IN 1 mSATA & PCI EXPRESS MINI CARD CONNECTOR, 5.2 MM HEIGHT	
1 PLC	± -	APPLICATION SPEC		SIZE	A2
2 PLC	± -	MATERIAL		CAGE CODE	00779
3 PLC	± -	FINISH		DRAWING NO	C=1775862
4 PLC	± -	WEIGHT		RESTRICTED TO	-
ANGLES	± -	CUSTOMER DRAWING		SCALE	-
MATERIAL		SHEET		4 OF 5	
FINISH		REV		J1	

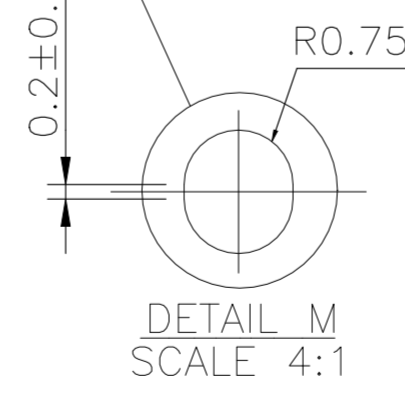
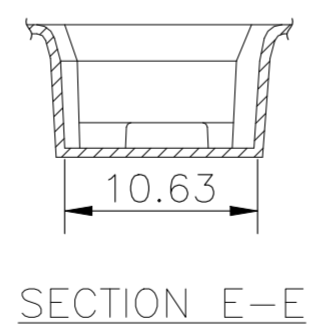
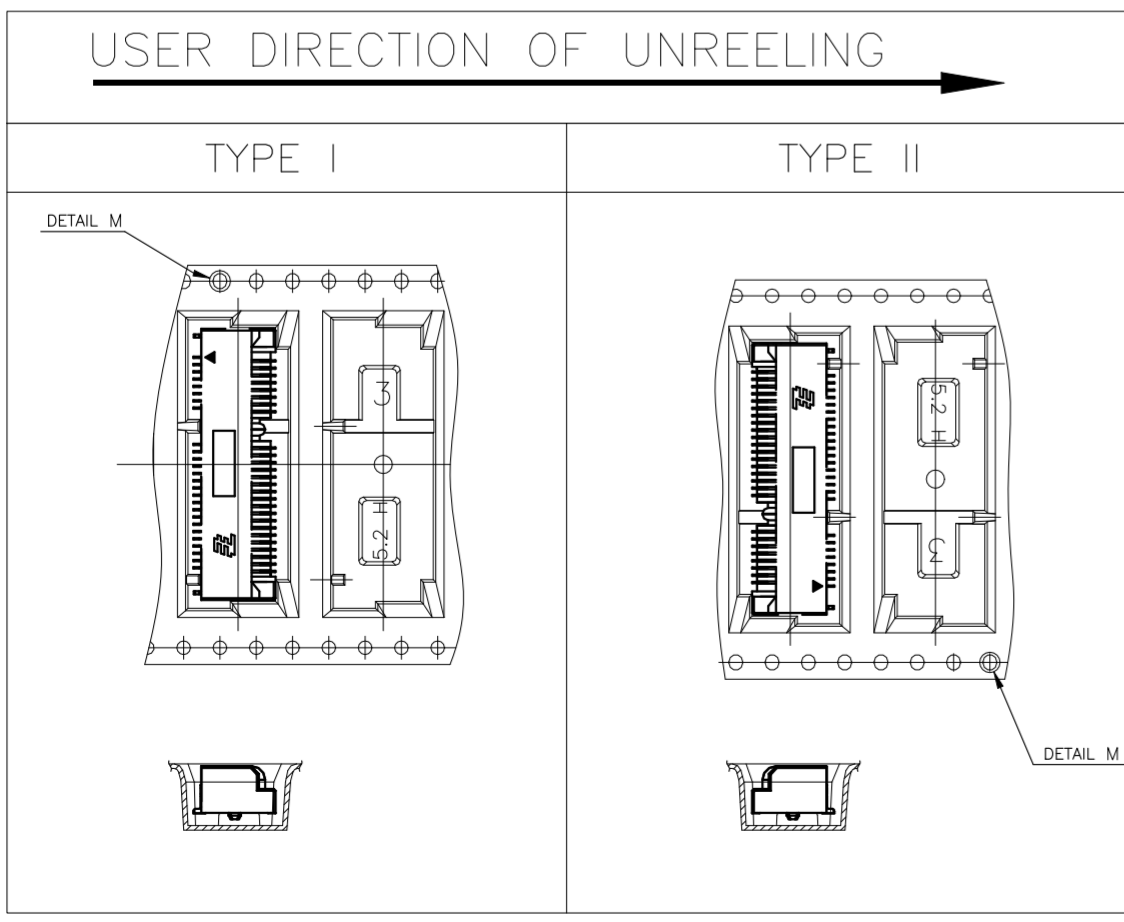
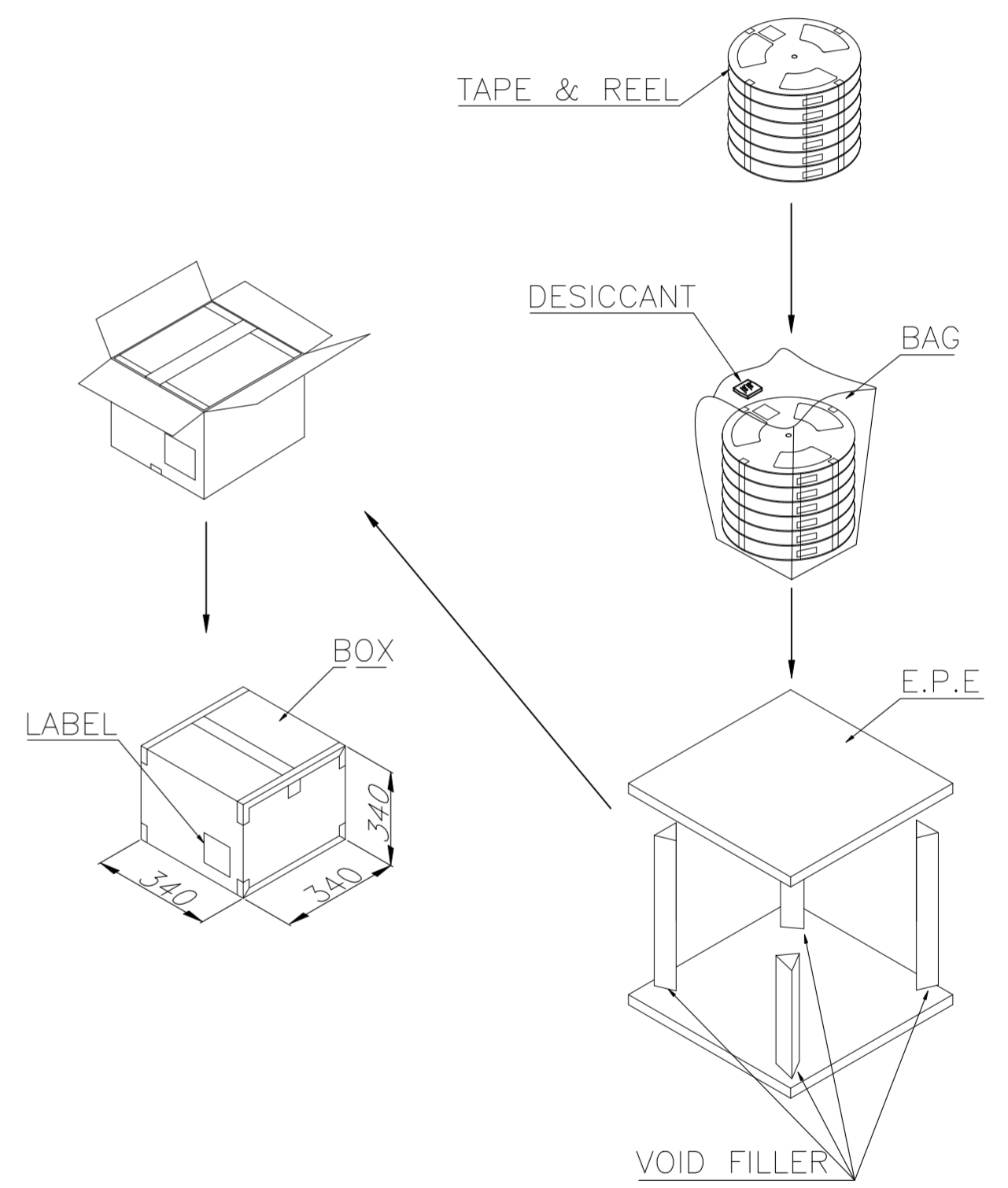
THIS DRAWING IS UNPUBLISHED. RELEASED FOR PUBLICATION  
 © COPYRIGHT 2011 BY TE CONNECTIVITY. ALL RIGHTS RESERVED.

REVISIONS				
P	LTR	DESCRIPTION	DATE	APVD
-	-	SEE SHEET 1	-	-



NOTES:

- MATERIAL:  
 BOX: FIBREBOARD, CORRUGATED, DOUBLE WALL.  
 COVER TAPE: POLYSTYRENES, TRANSPARENT COLOR.  
 CARRIER TAPE: POLYSTYRENES, TRANSPARENT COLOR.  
 REEL: HIPS, BLUE COLOR.  
 BAG: POLYETHYLENES, TRANSPARENT COLOR.
- EACH BAG SHALL BE INCLUDED DESICCANT.
- PEELING STRENGTH: 0.1 ~ 1.3 N (10 ~ 130 GRAMS).
- PEELING SPEED: 300 mm/min.



SECTION D-D

SECTION E-E

DETAIL M SCALE 4:1

3300 PCS	550	6	9.96	5.08
QUANTITY	PCS/TAPE	REELS/BOX	G/W(Kg)	N/W(Kg)

THIS DRAWING IS A CONTROLLED DOCUMENT.		DWN	02JUN2016	TE Connectivity	
DIMENSIONS: mm		CHK	-	NAME	
TOLERANCES UNLESS OTHERWISE SPECIFIED:		APVD	-	2 IN 1 mSATA & PCI EXPRESS MINI CARD CONNECTOR, 5.2 MM HEIGHT	
0 PLC	± -	PRODUCT SPEC	-	SIZE	CAGE CODE
1 PLC	± -	APPLICATION SPEC	-	A2	00779
2 PLC	± -	WEIGHT	-	DRAWING NO	C=1775862
3 PLC	± -	CUSTOMER DRAWING	-	RESTRICTED TO	-
4 PLC	± -	SCALE	-	SHEET	5 of 5
ANGLES	± -	REV	J1		
FINISH	-				