

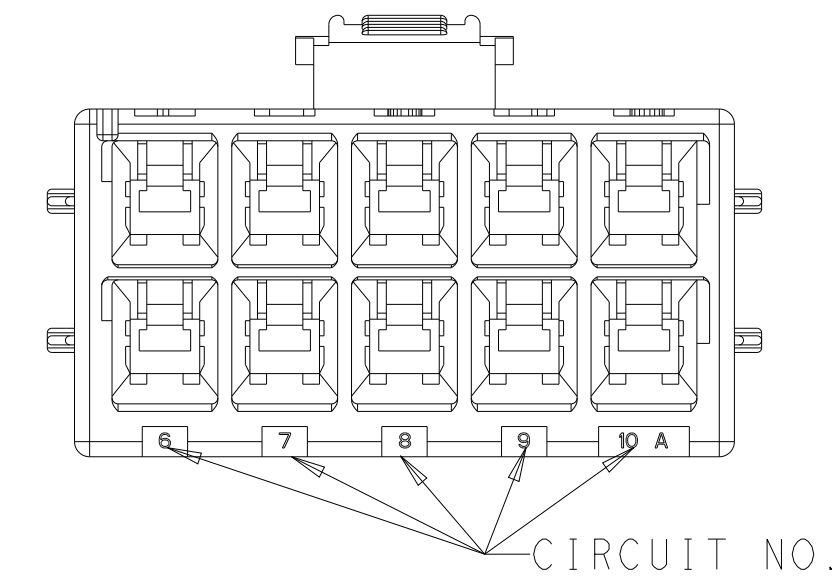
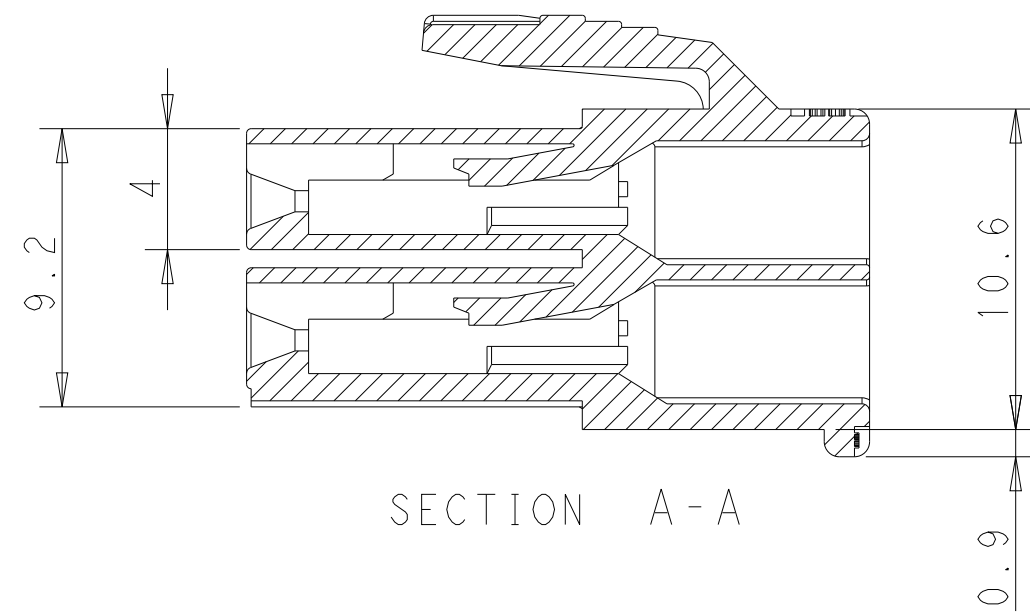
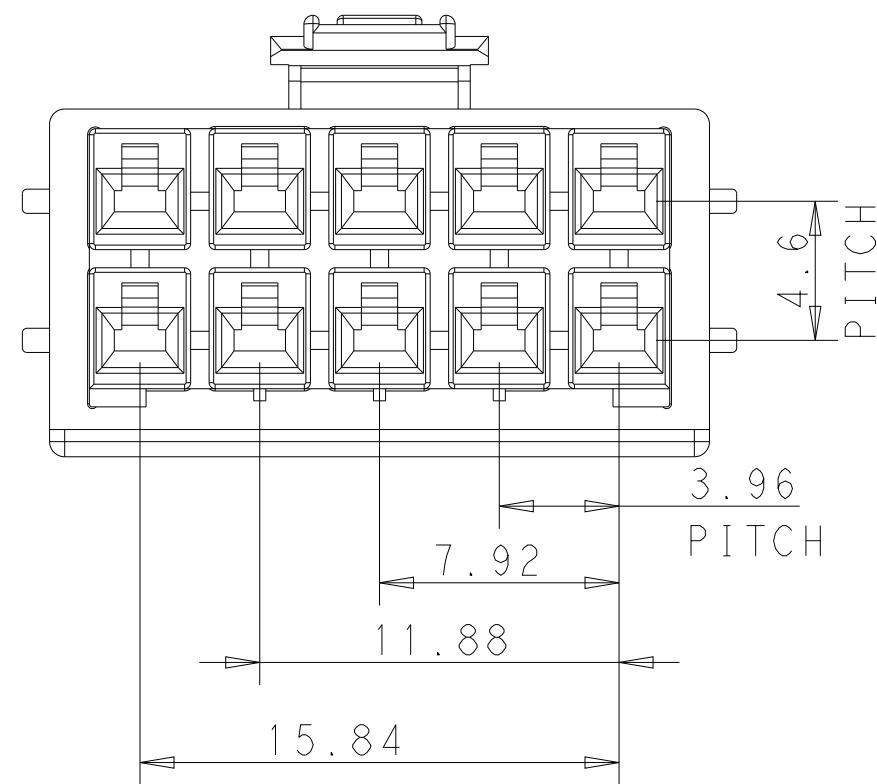
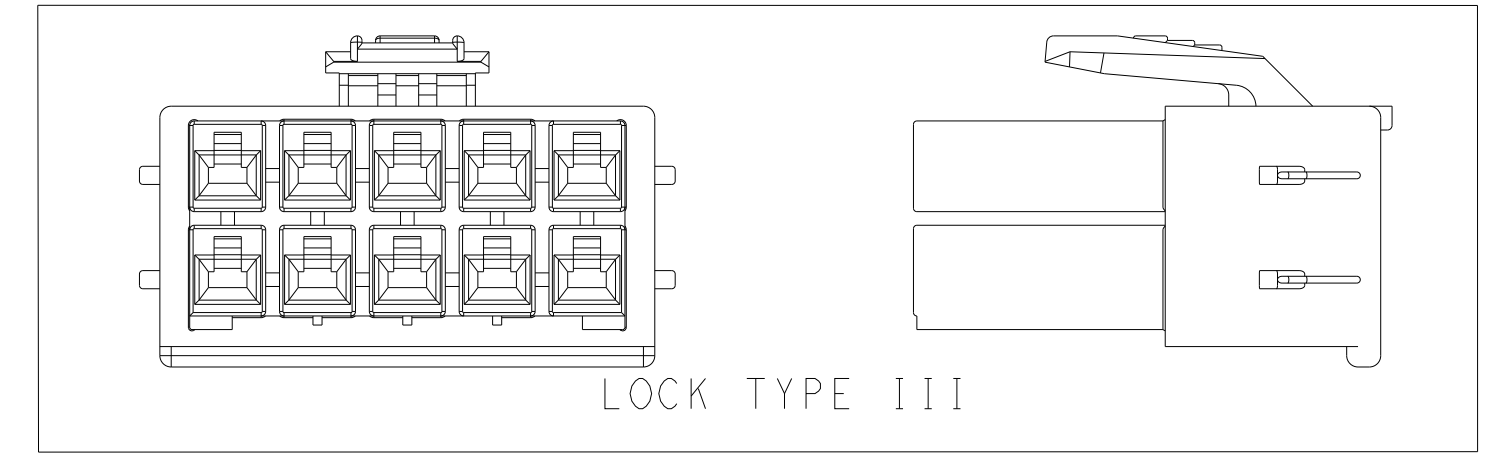
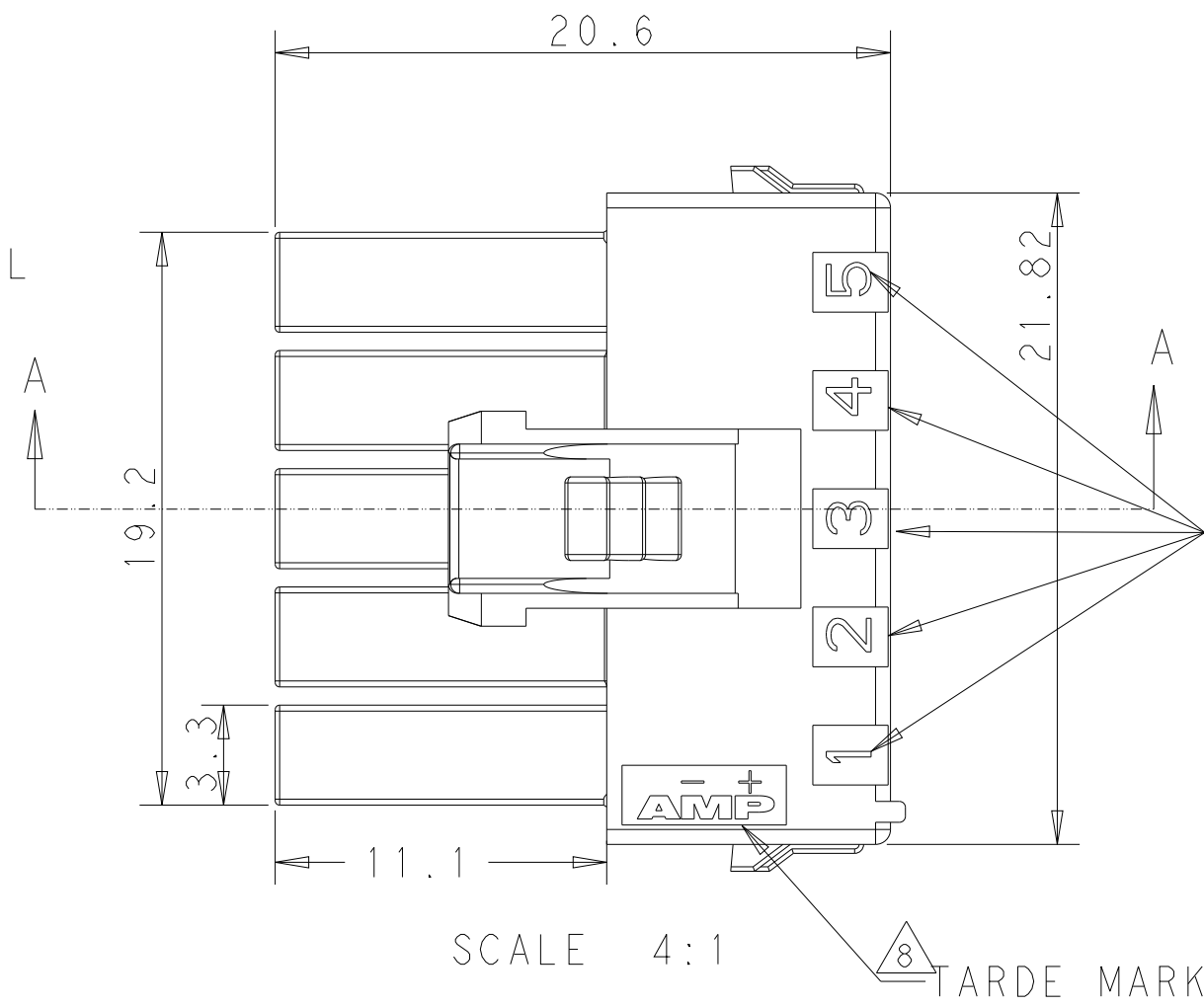
THIS DRAWING IS UNPUBLISHED. RELEASED FOR PUBLICATION  
 © COPYRIGHT copyright.d8te- ALL RIGHTS RESERVED.

REVISIONS				
P	LTR	DESCRIPTION	DATE	APVD
C4		REVISED ECR-23-169773	21AUG2023	M.G D.Z

1. APPLICABLE CONTACT P/N  
REC CONTACT: 177915-(20-16AWG)  
177914-(26-22AWG)
2. MATING CONN. P/N  
CAP HSG: 177912-(PANEL MOUNT)  
TAB CONTACT: 177917-(20-16AWG)  
177916-(26-22AWG)
3. APPLICABLE PLATE P/N: 177921
4. INSTRUCTION SHEET: 411-5638

5. PART 6-177904-1 COMPLY WITH GLOW WIRE REQUIREMENT FOR PARTS OF NON-METALLIC MATERIAL SUPPORTING A CURRENT-CARRYING CONNECTION DETAILED IN IEC 60335-1, SECTION 30(GWT)  
 6. PART 177904-7 COMPLY WITH HOT WIRE REQUIREMENT, PA66, UL 94V-0, HOT WIRE IGNITION (HWI) VERSION ARE MOLDED IN A RESIN THAT COMPLIES WITH THE HOT WIRE IGNITION TEST 109-32026 AND ARE RECOMMENDED FOR USE WITH HWI HOUSING THAT ALSO COMPLY  
 7. TOLERANCE REQUEST

- <10 ±0.2
  - 10-30 ±0.25
  - >30 ±0.3
- 8 SEE TABLE 1



9 TABLE 1

TRADE MARK	MANUFACTURING PLACE
—AMP OR AMP	JAPAN
-+AMP OR AMP	CHINA
AMP OR AMP	KOREA

LOCK TYPE III	NATURAL	10	5-177904-1
LOCK TYPE I	NATURAL	10	177904-7
LOCK TYPE I	NATURAL	10	6-177904-1
	BLUE	10	177904-6
	YELLOW	10	177904-4
LOCK TYPE	NATURAL	10	177904-1
	HOUSING COLOR	POS.	P/N

THIS DRAWING IS A CONTROLLED DOCUMENT.

DIMENSIONS: mm	TOLERANCES UNLESS OTHERWISE SPECIFIED: 0 PLC ± 1 PLC ± 2 PLC ± 3 PLC ± 4 PLC ± ANGLES ± FINISH	DWN N. YAMASAKI 22.NOV'95	TE Connectivity AMP PDL CONN. 3.96MM PITCH PLUG HOUSING 10 POS (DBL ROW)
		CHK M. SHINDO 22.NOV'95	
MATERIAL 6/6 NYLON (UL94V-0)		APVD H. TAGUCHI 22.NOV'95	NAME
		PRODUCT SPEC 108-5410	SIZE A2
CUSTOMER DRAWING		APPLICATION SPEC 114-5175	DRAWING NO. C-177904
		WEIGHT -	RESTRICTED TO -
		SCALE 3:1	SHEET 1 OF 1
			REV C4