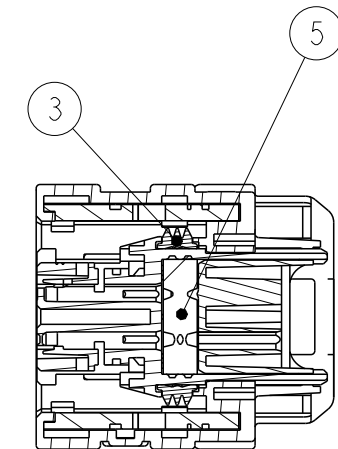
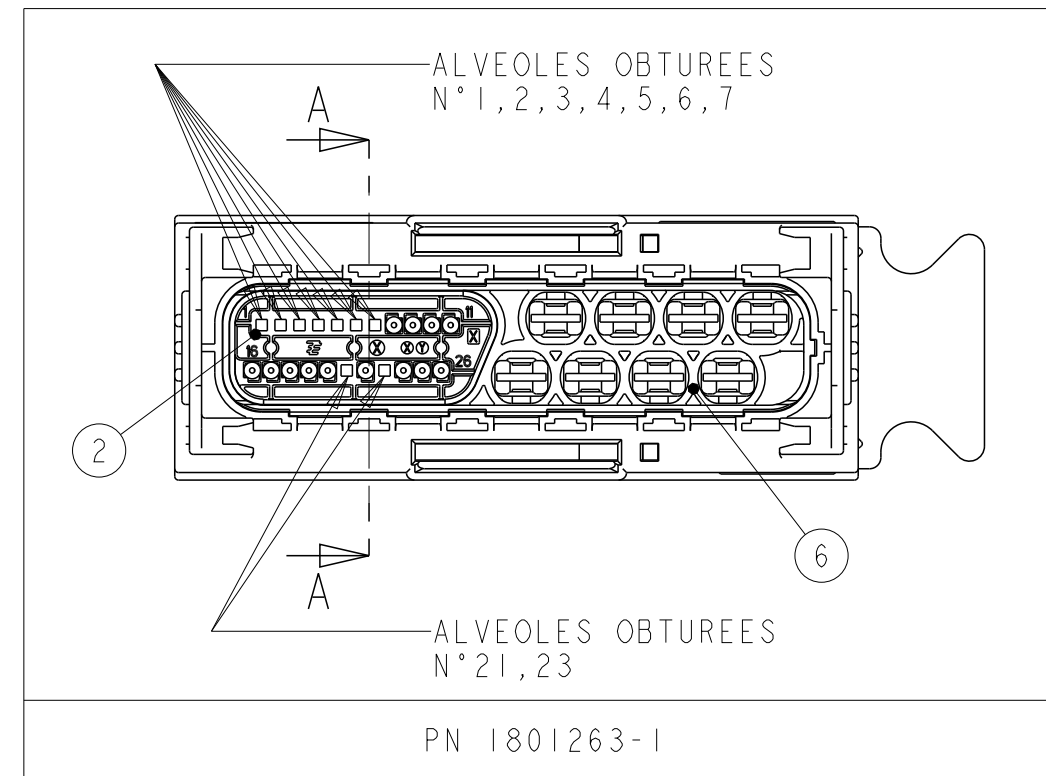
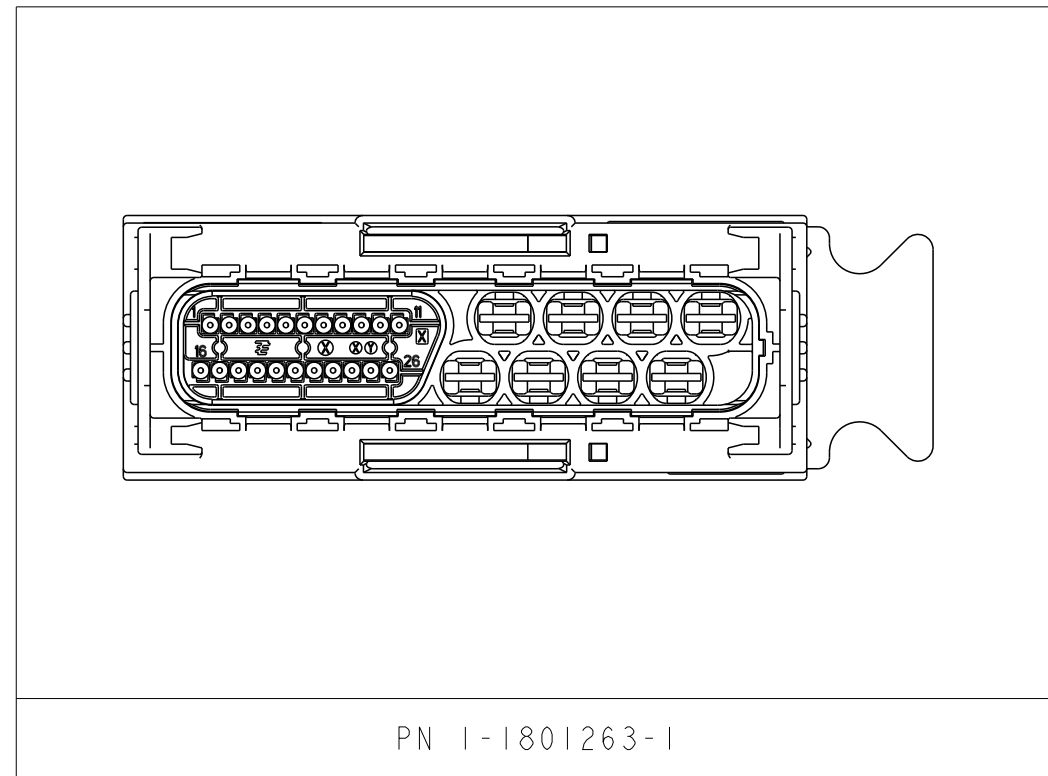
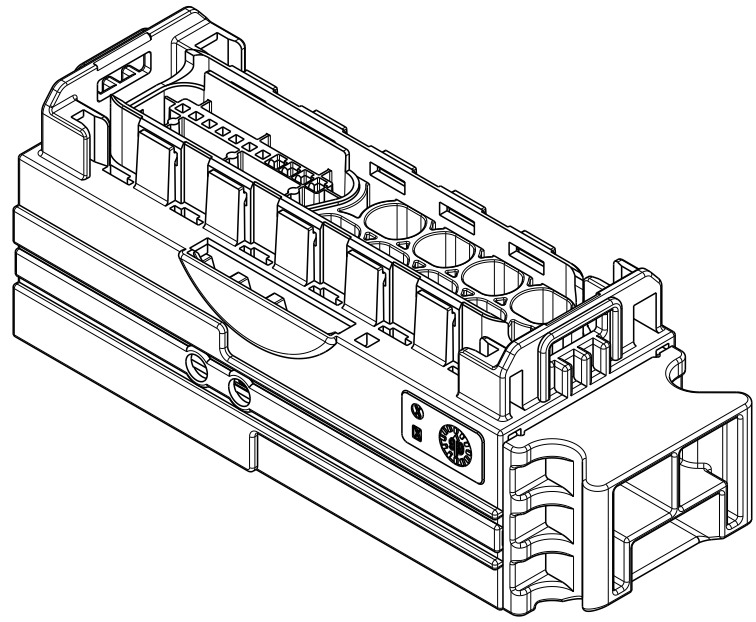


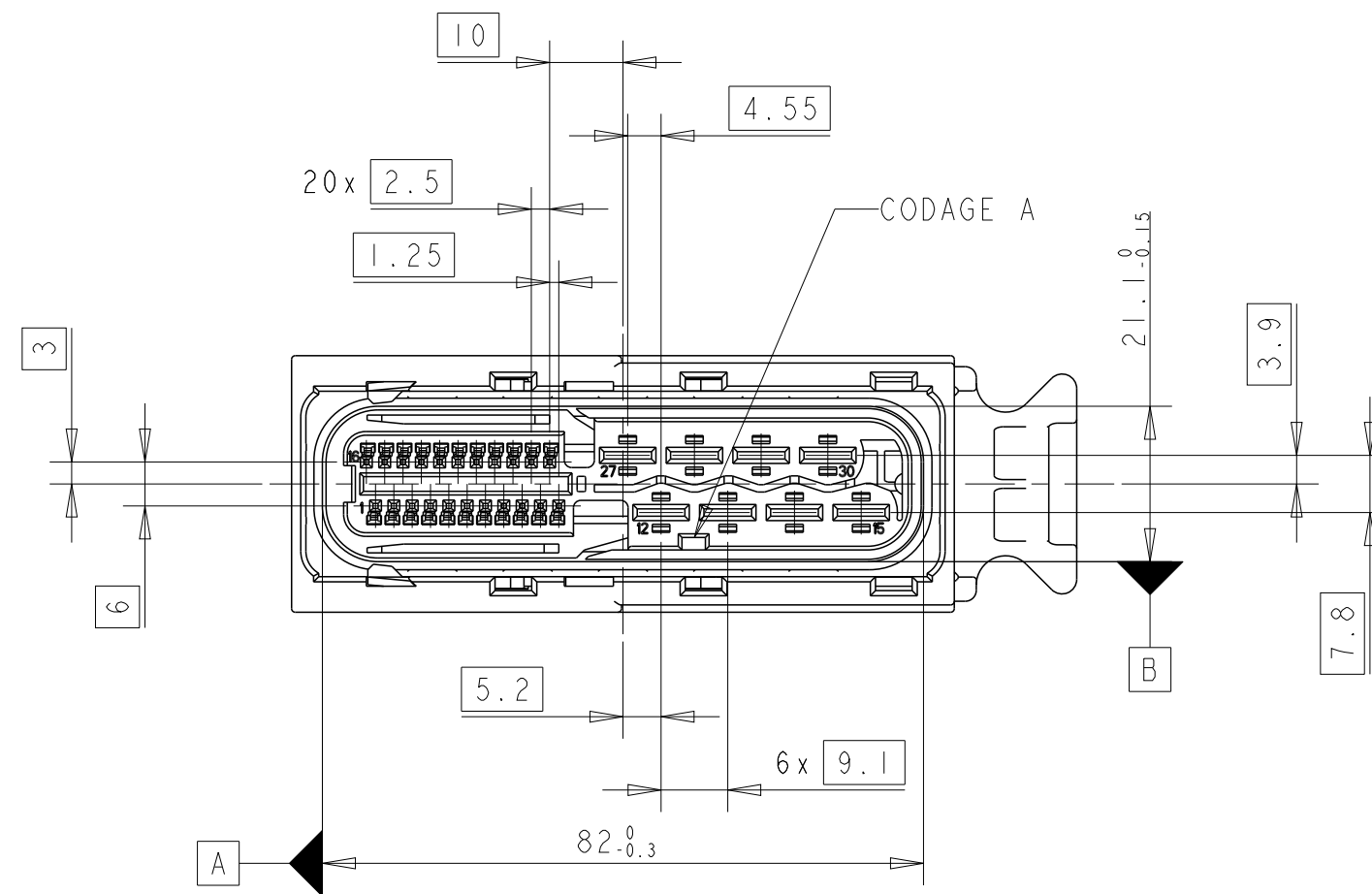
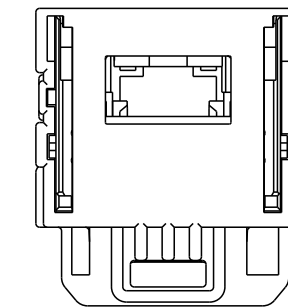
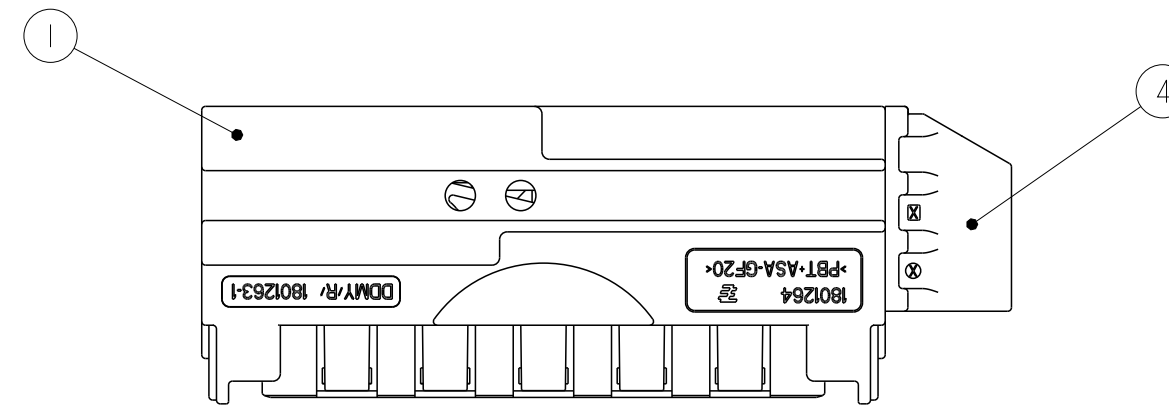
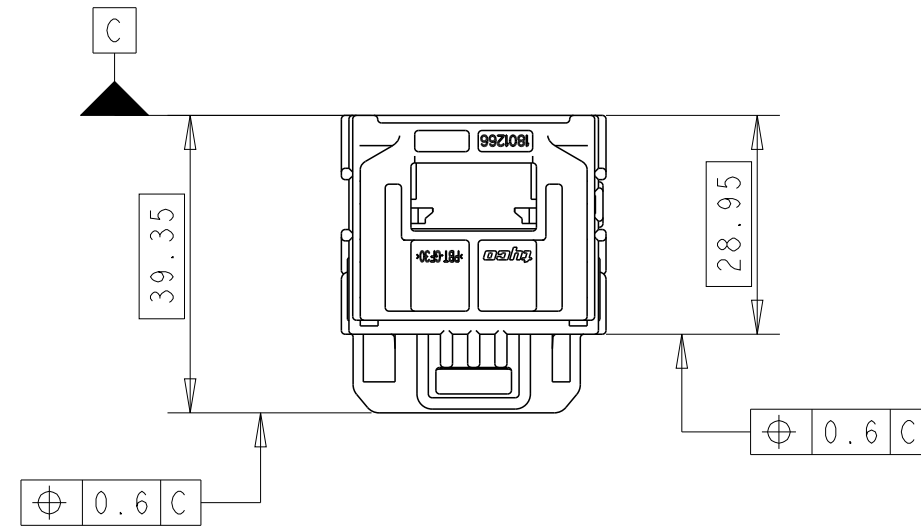
THIS DRAWING IS UNPUBLISHED. RELEASED FOR PUBLICATION 20
 © COPYRIGHT 20 BY - ALL RIGHTS RESERVED.

LOC F DIST 00

REVISIONS					
P	LTR	DESCRIPTION	DATE	DWN	APVD
E		DUAL SOURCING FOR THE GROMMET	25MAR2014	DB	JPP
F		SUPPRESS ORANGE VERSION OF GROMMET	22FEB2016	DB	XR
G		ADDED OPTIONAL PERMISSIBLE DESIGN	17JUL2018	ASB	GKT
H		OPTIONAL DESIGN PERMISSIBLE IN SHEET 2 ZONE A1	31MAY2019	ASB	GKT



COUPE A - A



QTY	QTY	COLOR	MATERIAL	DESIGNATION	ITEM
I	I	BLACK	PBT GF 10%	RECEPTACLE HOUSING CODE A following INTERFACE RENAULT 8200 668 851	6
I	I	LIGHT BLUE	SILICON	GROMMET	5
I	I	BLACK	PBT GF 30%	SLIDE	4
I	I	ORANGE	SILICON	INTERFACIAL SEAL	3
I	-	GREEN	PBT GF 10%	MQS REAR RECEPTACLE HOUSING WITH ALL CAVITIES FREE	2
-	I	BROWN	PBT GF 10%	MQS REAR RECEPTACLE HOUSING WITH BLOCKED UP CAVITIES N°1,2,3,4,5,6,7,21,23	2
I	I	BLACK	PBT/ASA GF 20%	UPPER RECEPTACLE HOUSING	1

X-1801263-X	
I-I	-I
C	C
PART REVISION CODE	

THIS DRAWING IS A CONTROLLED DOCUMENT.

DIMENSIONS: mm	TOLERANCES UNLESS OTHERWISE SPECIFIED:	DWN D. BANCE 15JAN2007	 TE Connectivity
		CHK JP. PICAUD 15JAN2007	
		APVD JJ. REVIL 15JAN2007	
		PRODUCT SPEC 108-15379	
MATERIAL SEE TABLE	FINISH	APPLICATION SPEC 411-15729	NAME CONNECTEUR 30 VOIES 30 WAY RECEPTACLE HOUSING ASSY
		WEIGHT 79 grs	SIZE CAGE CODE DRAWING NO RESTRICTED TO
		Customer Drawing	A200779 C-1801263
		SCALE 1:1	SHEET 1 OF 2 REV H

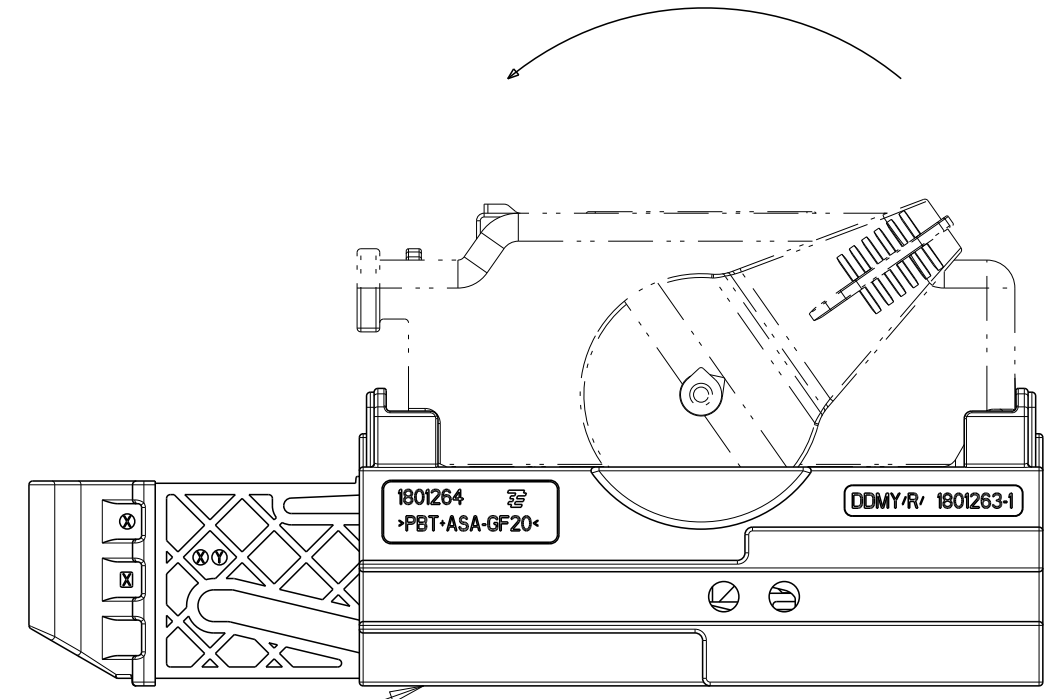
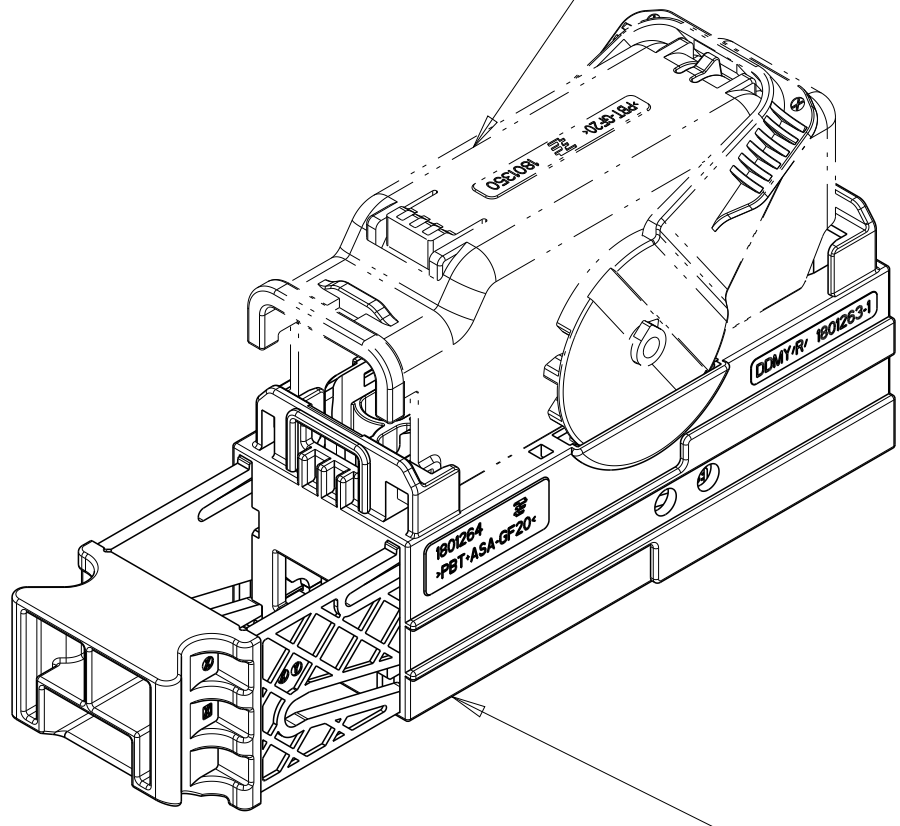
THIS DRAWING IS UNPUBLISHED. RELEASED FOR PUBLICATION 20
 © COPYRIGHT 20 BY - ALL RIGHTS RESERVED.

LOC	DIST	REVISIONS			
P	LTR	DESCRIPTION	DATE	DWN	APVD
F	00	SEE SHEET 1	-	-	-

POSITION DE LIVRAISON DU CABLEUR

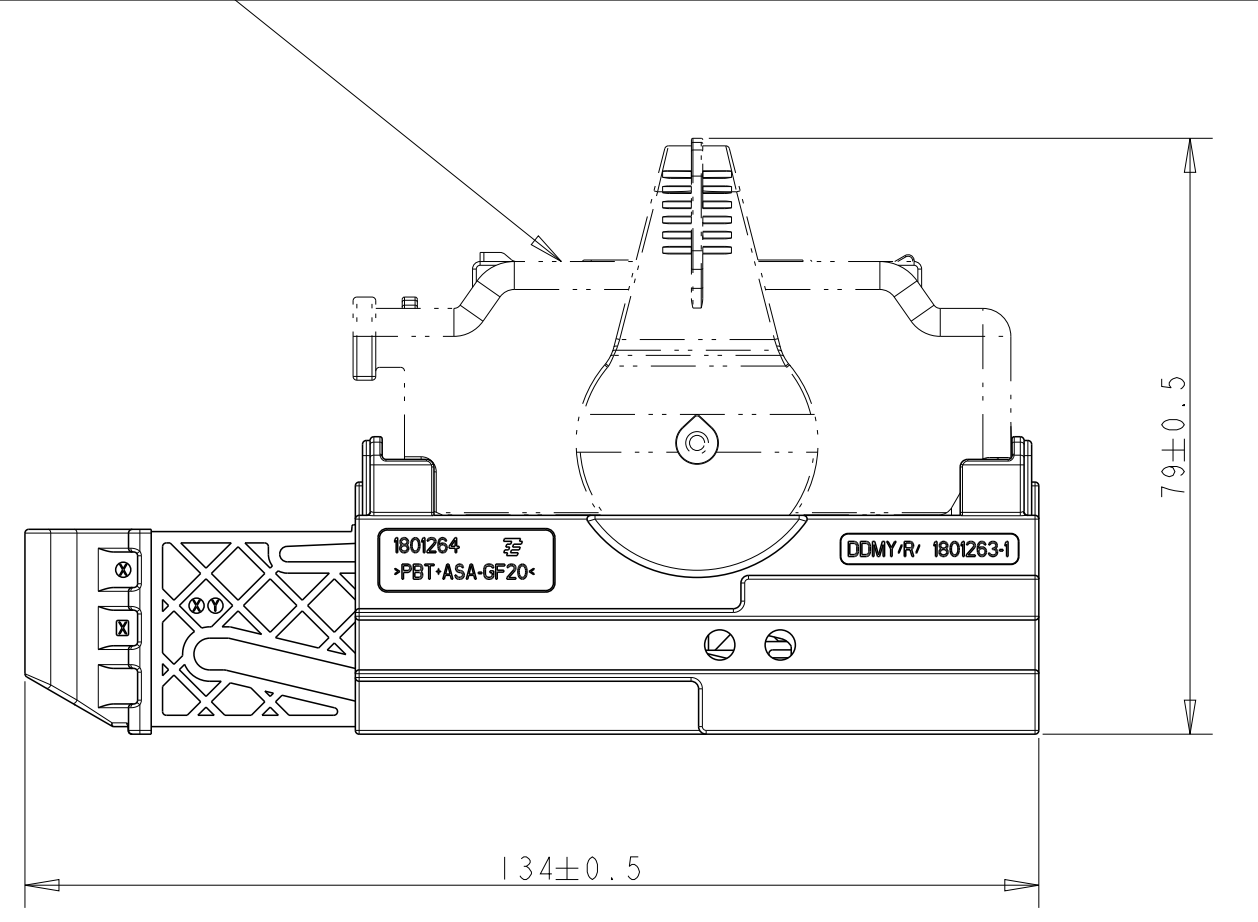
COMPOSANT ASSOCIE
CAPOT REFERENCE 1801269-1

MOUVEMENT DU LEVIER
POUR ACCOUPLEMENT



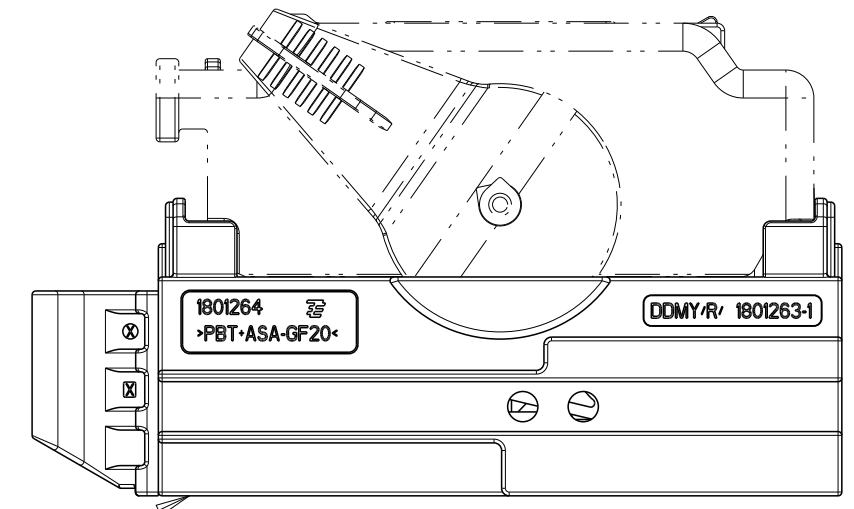
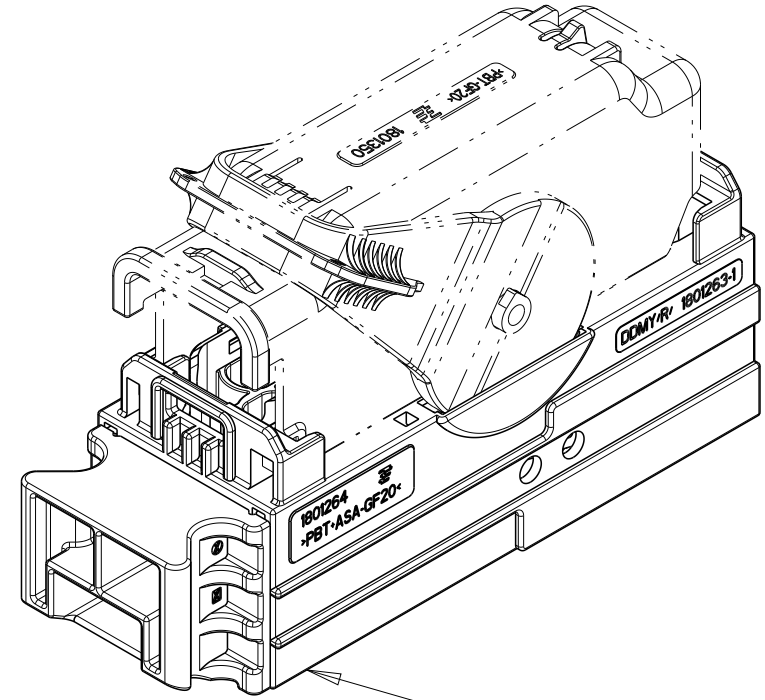
ALVEOLES N°15 et N°30

COMPOSANT ASSOCIE
CAPOT REFERENCE 1801269-1



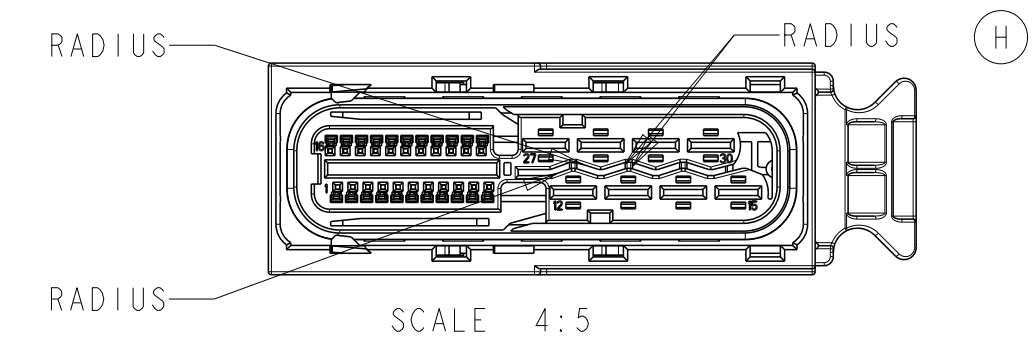
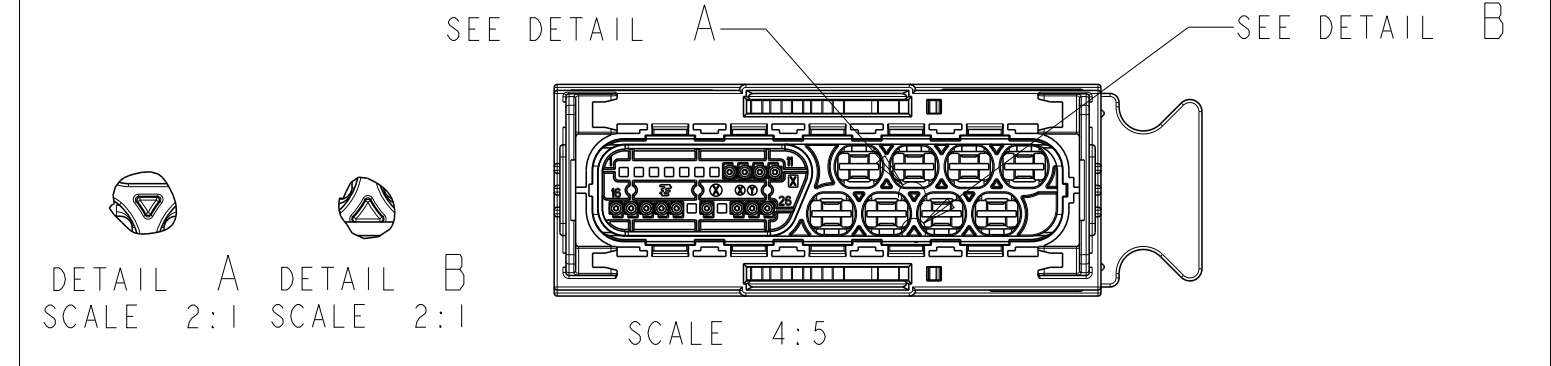
ENCOMBREMENT MAXIMAL


POSITION ACCOUPLEE



ALVEOLES N°15 et N°30

OPTIONAL DESIGN PERMISSIBLE



THIS DRAWING IS A CONTROLLED DOCUMENT.		DWN D_BANCE	15JAN2007	 TE Connectivity	
DIMENSIONS: mm		CHK JP_PICAUD	15JAN2007		
TOLERANCES UNLESS OTHERWISE SPECIFIED:		APVD JJ_REVIL	15JAN2007	NAME CONNECTEUR 30 VOIES	
0 PLC	±0.2	PRODUCT SPEC	108-15379	30 WAY RECEPTACLE HOUSING ASSY	
1 PLC	±0.2	APPLICATION SPEC	411-15729	SIZE	CAGE CODE
2 PLC	±0.2	WEIGHT	79 grs	A200779	C-1801263
3 PLC	±0.2	MATERIAL	SEE TABLE	SCALE	1:1
4 PLC	±0.2	FINISH		SHEET	2 OF 2
ANGLES	±5°			REV	H