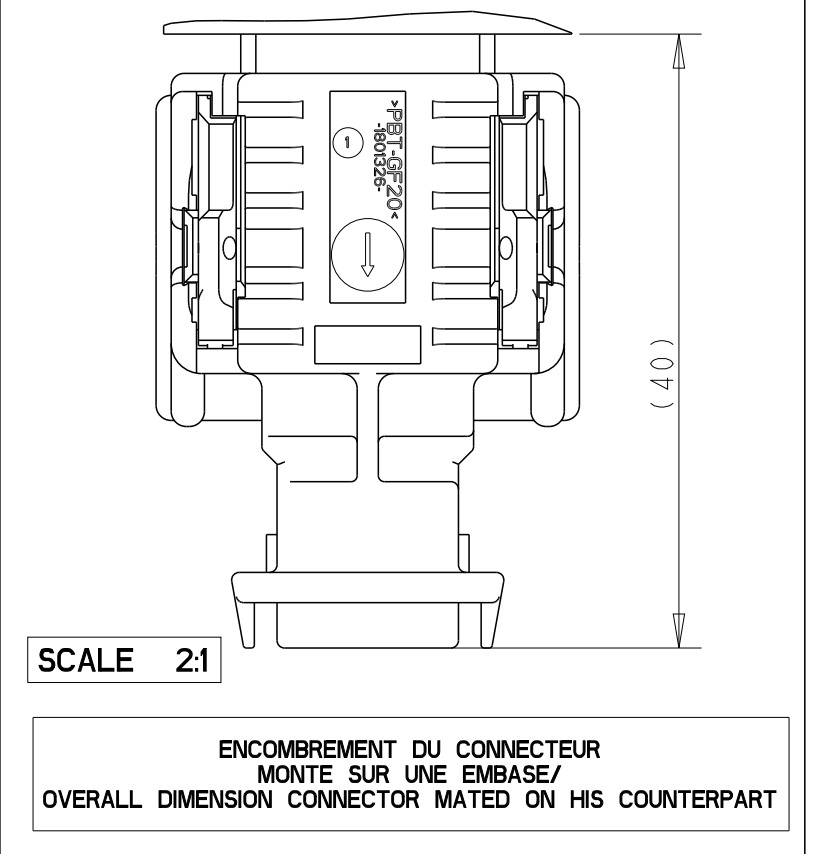
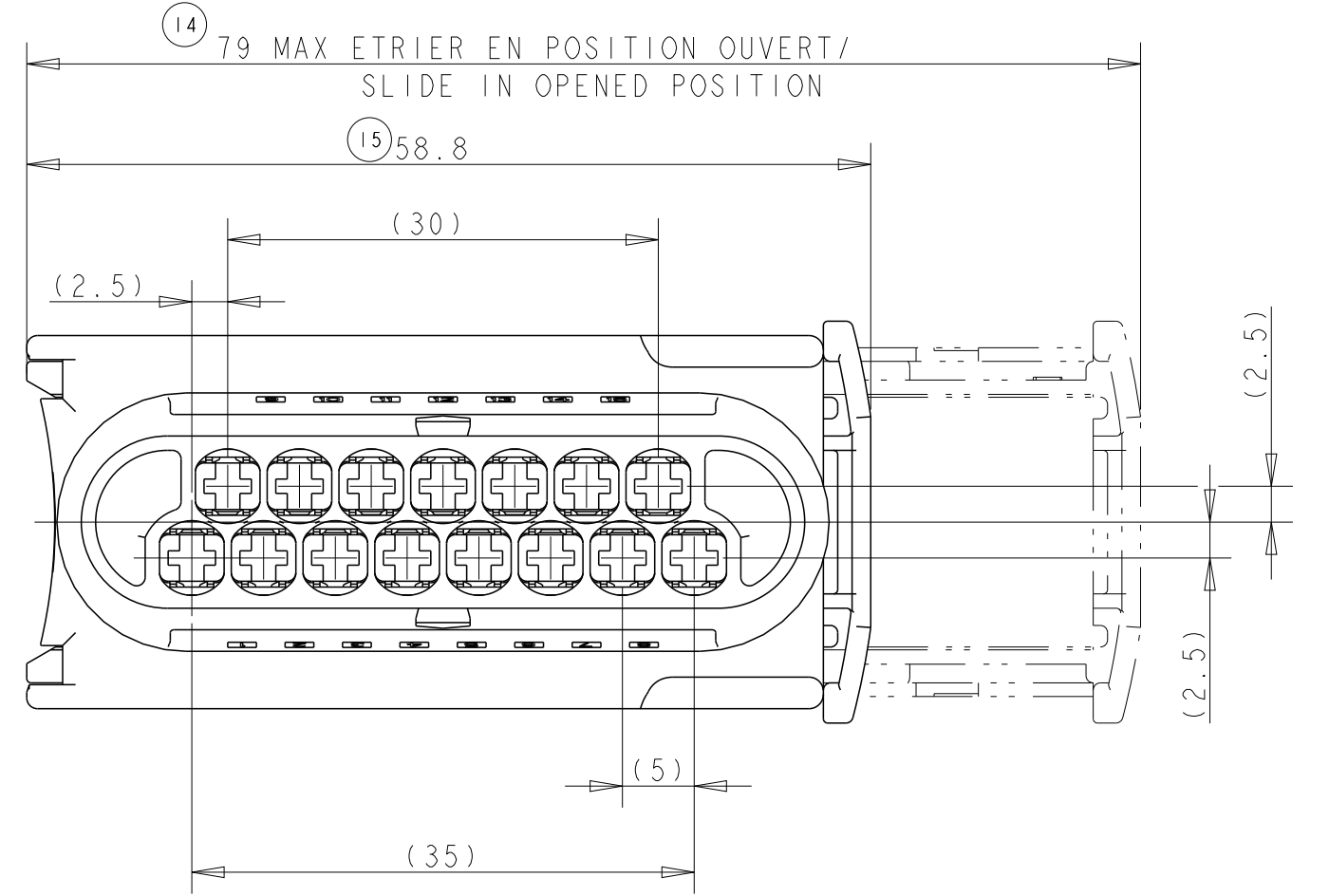
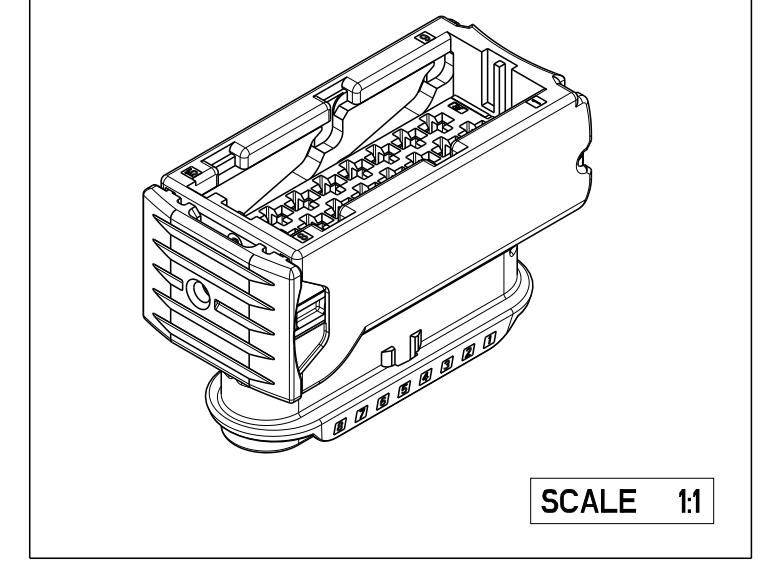
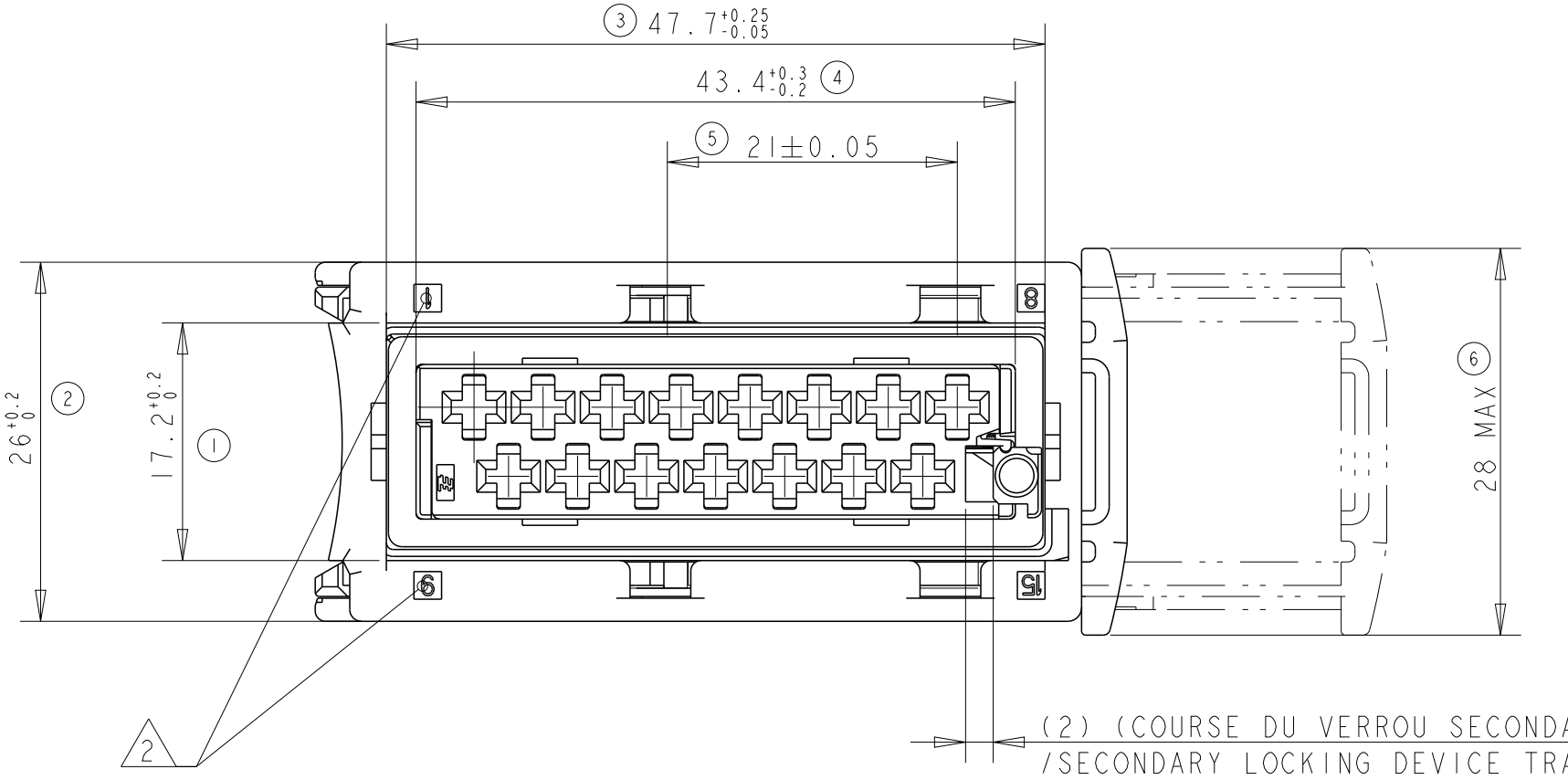
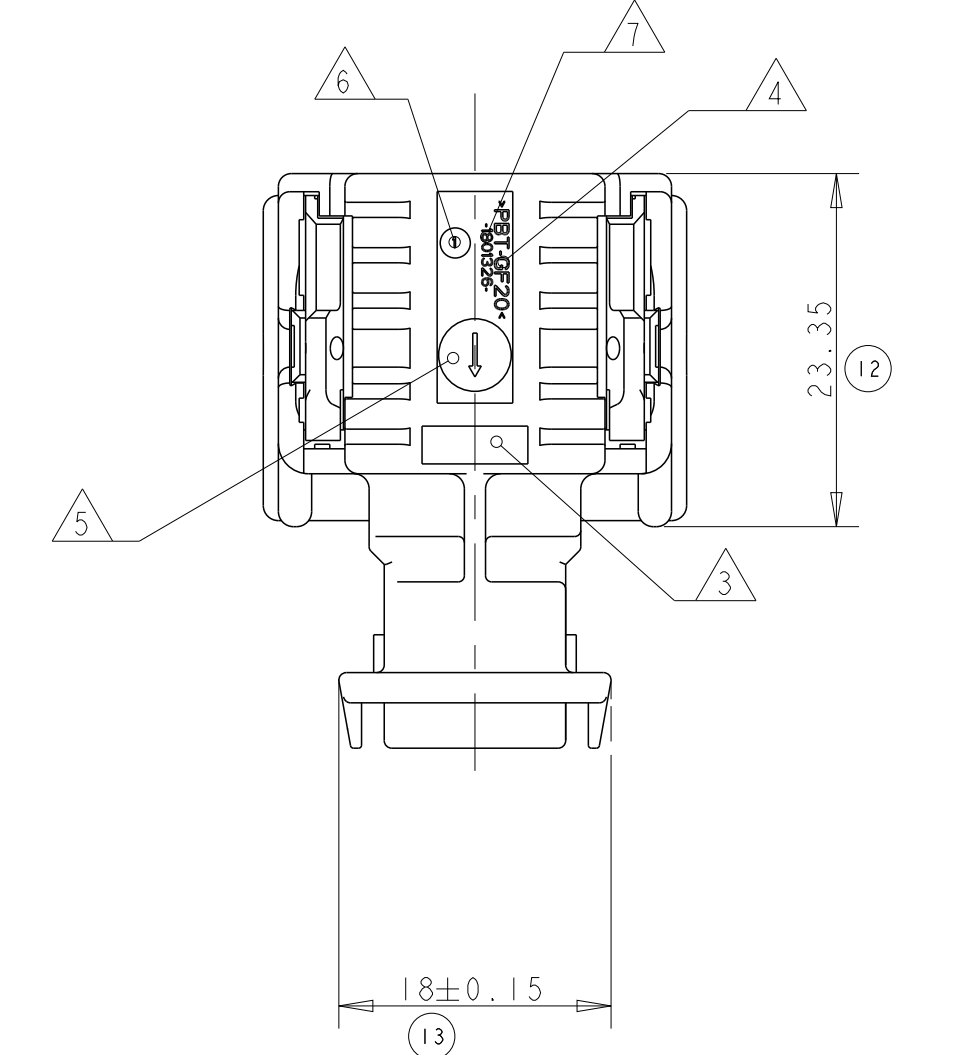
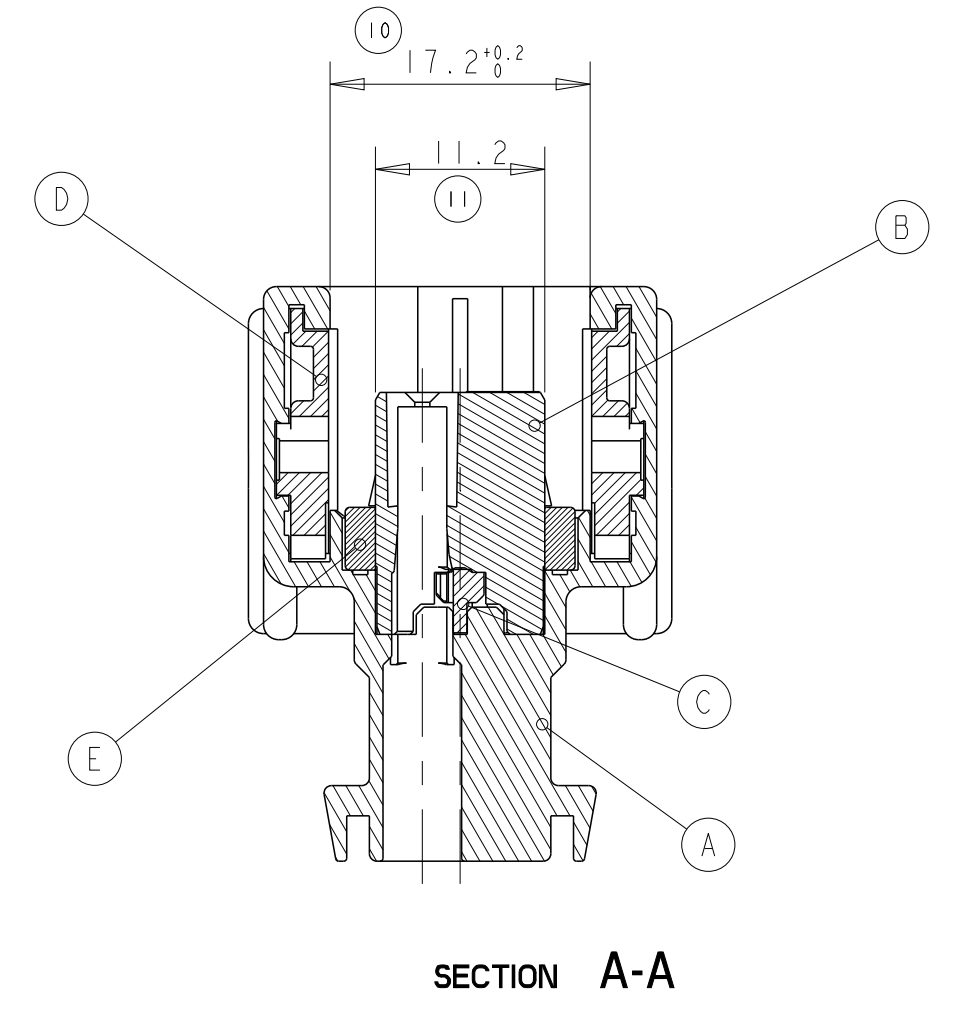
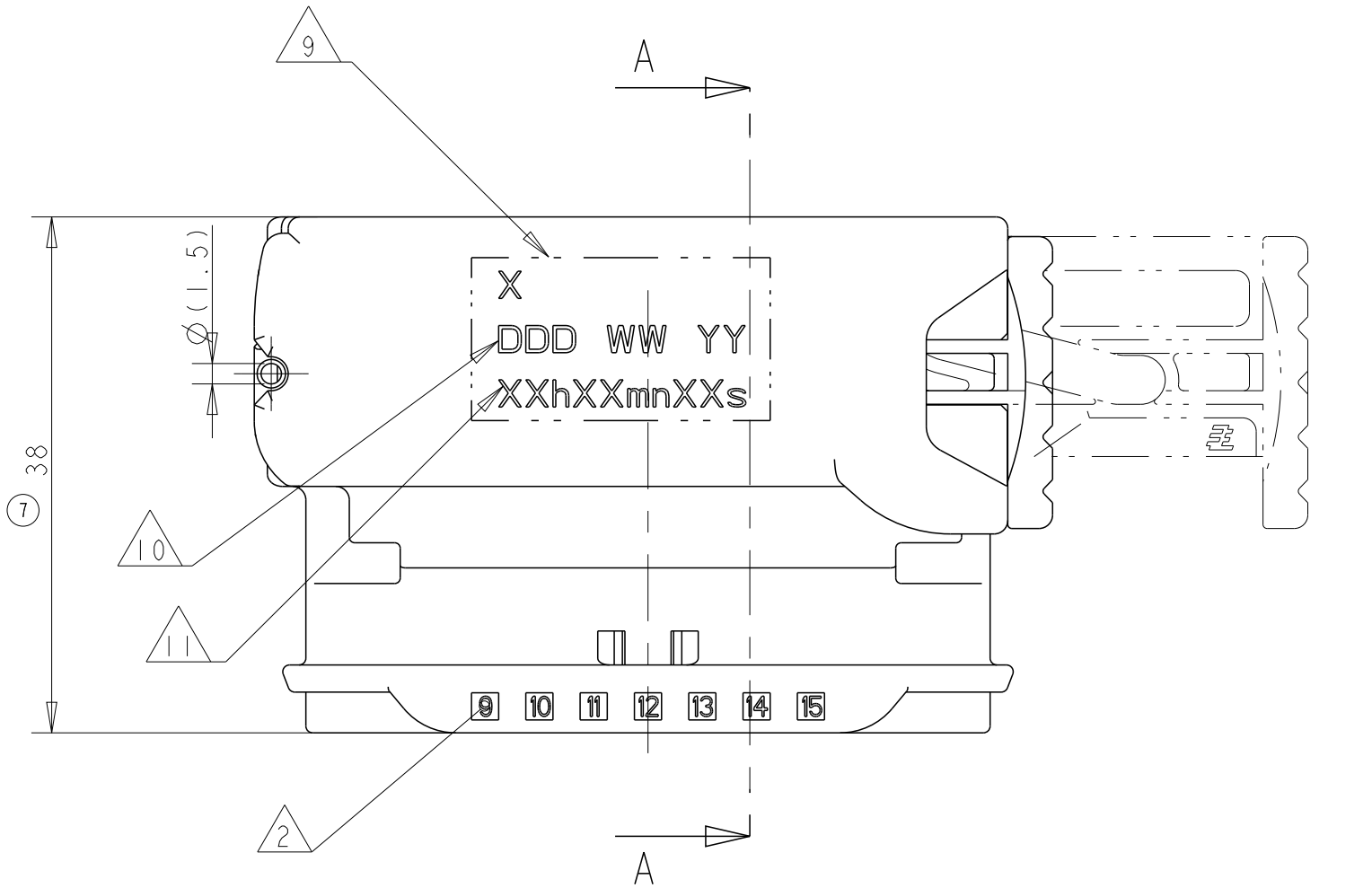
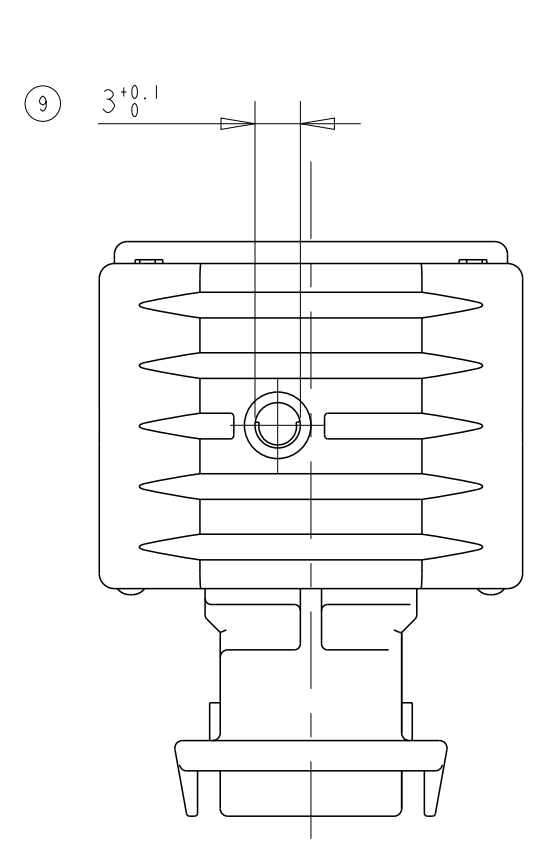


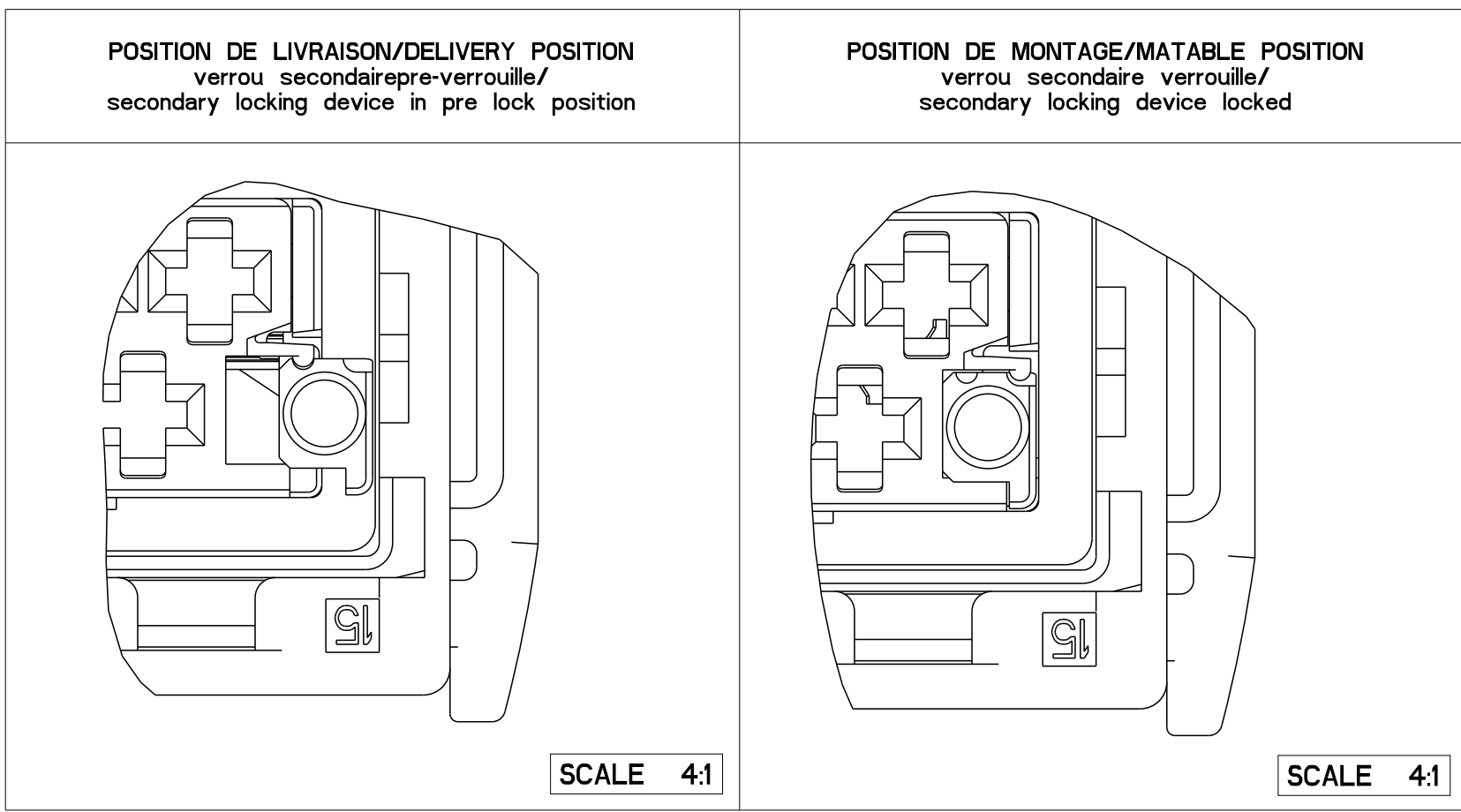
PN TE	SCALE 1:1
1801326-1 NOIR/BLACK	
1801326-X BLANC/WHITE	
1801326-3 GRIS/GRAY	
1801326-4 VERT/GREEN	
1801326-5 MARRON/BROWN	
1801326-6 VIOLET	



REVISIONS				
P	REV	DESCRIPTION MODIFICATIONS	DATE	APPV DESIGN
	A	INITIAL RELEASE	07MAR2018	OP XR



E	JOINT/GASKET	SILICONE	1
D	ETRIER/SLIDE	PBT 15% FV/GF	1
C	VERROU SECONDAIRE/SECONDARY LOCKING DEVICE	PBT 30% FV/GF	1
B	MODULE FACE AVANT/FRONT FACE MODULE	PBT 20% FV/GF	1
A	BOITIER/HOUSING	PBT 20% FV/GF	1
Rep	DESIGNATION	MATERIAUX/ MATERIAL	QTE/ QTY



**NOTE:**

- 1 1801326-1 : REPRESENTE / AS SHOWN
- 2 REPERE ALVEOLES /CAVITY NUMBER
- 3 LOGO TE / TE LOGO
- 4 MARQUAGE MATIERE / MATERIAL MARKING
- 5 DATEUR / DATE CODE
- 6 N° EMPREINTE / MOLD CAVITY NUMBER
- 7 REF TE / PN TE
- 8 ZONE POUR DATE D'ASSEMBLAGE / AREA FOR ASSY DATE CODE
- 9 DATE D'ASSEMBLAGE / ASSY DATE
- 10 HEURE D'ASSEMBLAGE / ASSY HOUR

THIS DRAWING IS A CONTROLLED DOCUMENT. IT IS THE PROPERTY OF TE CONNECTIVITY. IT IS TO BE USED FOR THE PURPOSES FOR WHICH IT WAS ISSUED. IT IS NOT TO BE REPRODUCED OR TRANSMITTED IN ANY FORM OR BY ANY MEANS, ELECTRONIC OR MECHANICAL, INCLUDING PHOTOCOPYING, RECORDING, OR BY ANY INFORMATION STORAGE AND RETRIEVAL SYSTEM. WITHOUT PERMISSION IN WRITING FROM TE CONNECTIVITY. © COPYRIGHT 2018 BY TE CONNECTIVITY. ALL RIGHTS RESERVED.		DIMENSIONS: mm TOLERANCES UNLESS OTHERWISE SPECIFIED: ±0.2 *±0.1	DWG/REV: 06MAR2018 O. PAMART X. ROULLIARD J. DAHED DATE: 06MAR2018 PRODUCT SPEC: 411-15126 APPLICATION SPEC: 411-15126 WEIGHT: APPROX. 24 g MATERIAL: SEE TABLE	NAME: X. ROULLIARD DATE: 06MAR2018 CAGE CODE: 411-15126 DRAWING NO: 411-15126 CUSTOMER DRAWING / PLAN CLIENT	CONNECTOR 15 W GEN 3 TERMINALS AMP MCP A100779 ©=1801326	RESTRICTED TO RESERVE A SHEET 1 OF 1 REV A
--	--	---	---	--	--	--